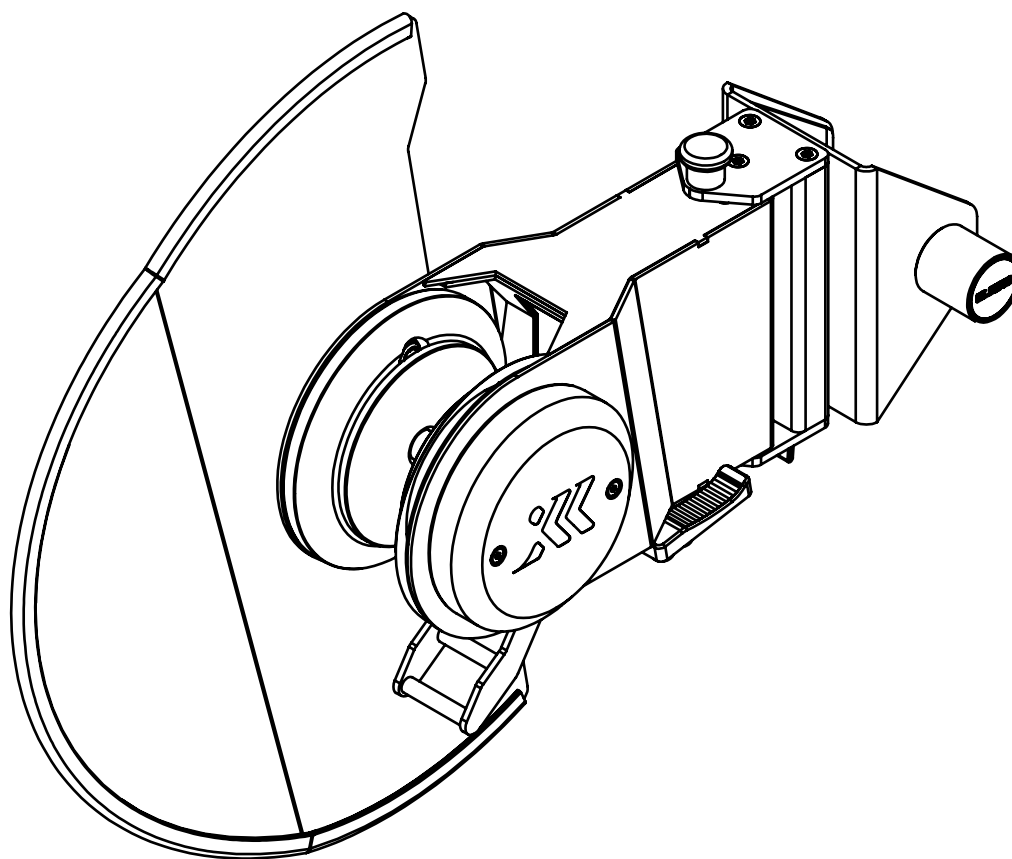


Art.nr BD-1-5964-M

Exxentric kpulley Go kit for Prestera - Black

RAISE THE BAR



ELEIKO

READ BEFORE INSTALLATION AND USE

Caution

The equipment must be installed and used in a place whose access and supervision are specifically controlled by the owner.

Be sure to install the equipment on a stable base and properly level the equipment. ELEIKO recommends that all equipment is secured to floor and installed by a licensed contractor or an ELEIKO-installer.

This equipment is intended for indoor use only.

Safety instructions

It is the responsibility of the purchaser of ELEIKO products to instruct all users and supervising personnel on proper usage of the equipment.

1. All included warnings (labels) and instructions **MUST** be read before the use of any ELEIKO-equipment. Use each equipment as it is intended for.
2. A user **MUST** get a medical examination and proper instructions before the use of any ELEIKO-equipment.
3. **DO NOT** let anyone, under any circumstances, use equipment that appears to be damaged. Do not try to repair any equipment before consulting an ELEIKO technician.
4. **DO NOT** replace the components of ELEIKO-equipment with other none ELEIKO-equipment (magnetic safety pin, frames, bars), do not improvise. If there are any doubts consult an ELEIKO representative prior to any intervention.
5. **DO NOT** overload the equipment and **DO NOT** try to exceed personal strength levels.
6. Children under the age of 14 must be supervised by an adult.
7. **DO NOT** remove any safety labels from the ELEIKO-equipment. ELEIKO is not responsible if a label is removed. Replace damaged labels immediately.
8. Eleiko package for products can be made of wood, be aware of splinters, **MUST** use gloves and proper work wear.
9. Eleiko package material could be a risk when handling, be aware of crushing, **MUST** use work wear including gloves and hard shoes.
10. Eleiko products and package material is heavy, **MUST** use proper lifting technique, work wear and hard shoes.

Preventive Maintenance & Inspections

Regularly

NOTE: The safety level of the equipment can only be maintained if it is examined regularly for damage and wear.

- Clean the surfaces on frames and tubes from dust and dirt.
- Check that all bolts between parts, walls, floors are properly tightened, according to recommendations.
- Check equipment for sharp edges and replace if necessary.

Spare parts and service

Contact Eleiko for spare parts and service:

Eleiko Group AB | Klastorpsvägen 18 | SE-302 62 HALMSTAD | Sweden

E-mail: service@eleiko.com | Phone: +46 35 17 70 70 | www.eleiko.com

Warranty

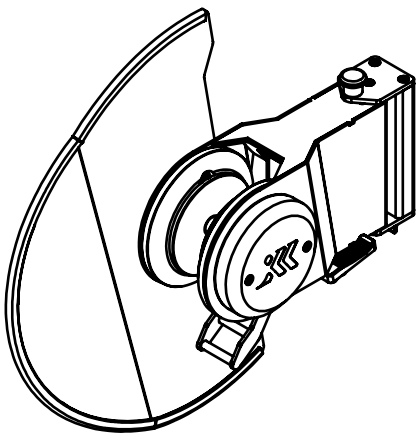
All products manufactured by ELEIKO are warranted to the original purchaser to be free from defects in workmanship and / or materials under normal use or service as follows:

- 10 years on welds on structural frame.
- For warranty on kpulley unit contact Exxentric AB

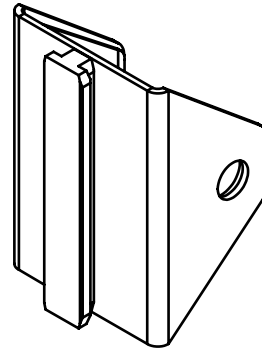
PRODUCT SPECIFICATIONS

Product weight	2KG / 4,4LBS
Max user weight	N/A
Max training weight	N/A
Dimensions (L x W x H)	154x130x130 mm 6,1" x 5,1" x 5,1"

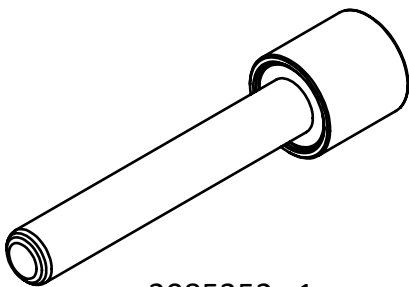
LIST OF COMPONENTS



Kpulley x1



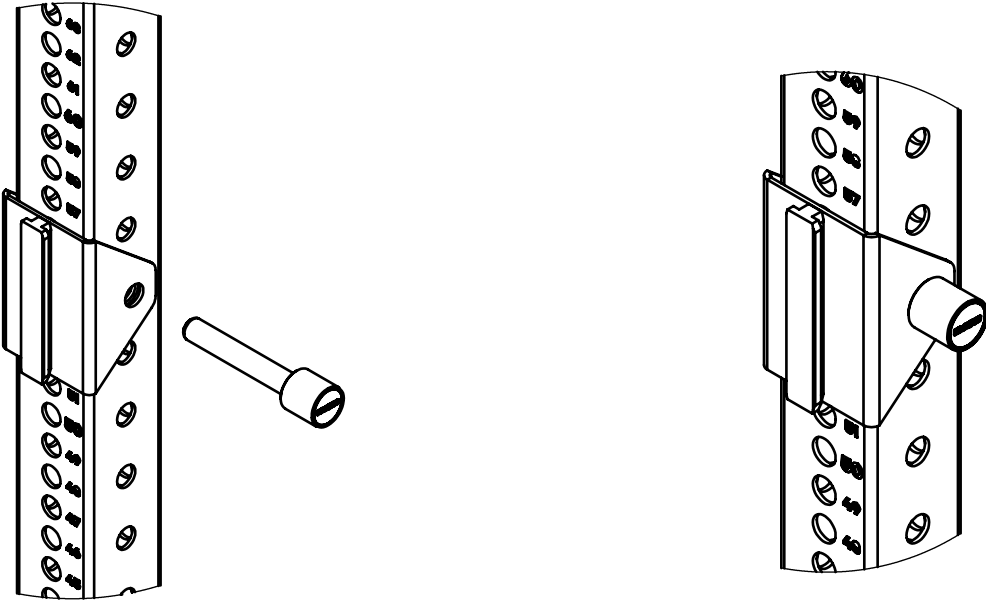
3085975 x1



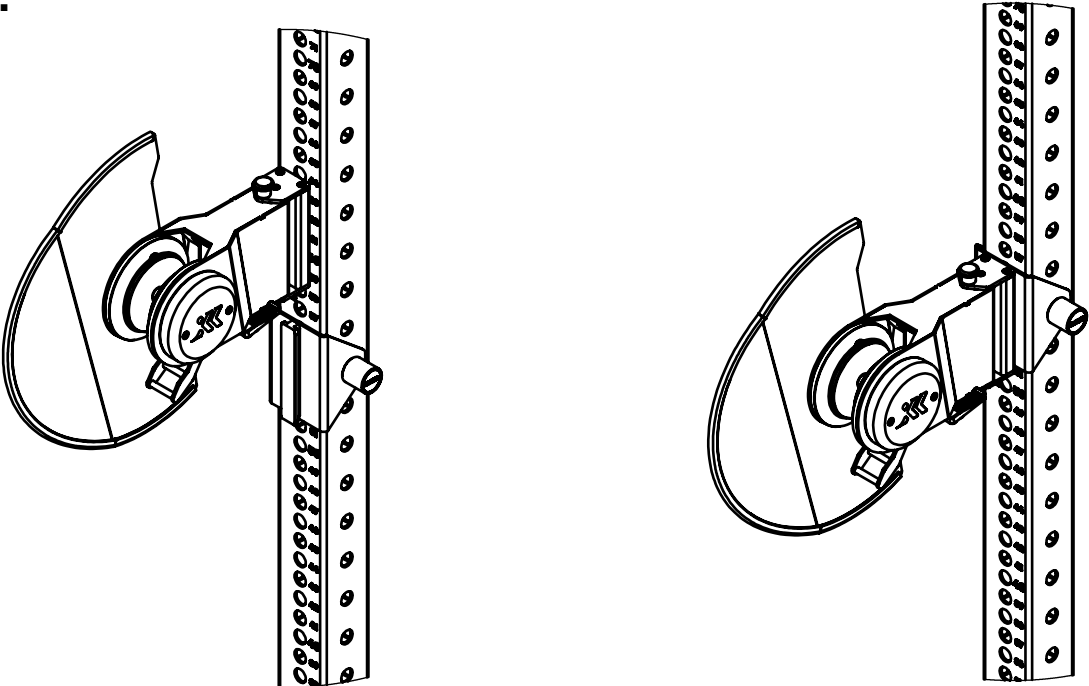
3085352 x1

ASSEMBLY INSTRUCTIONS

1.



2.



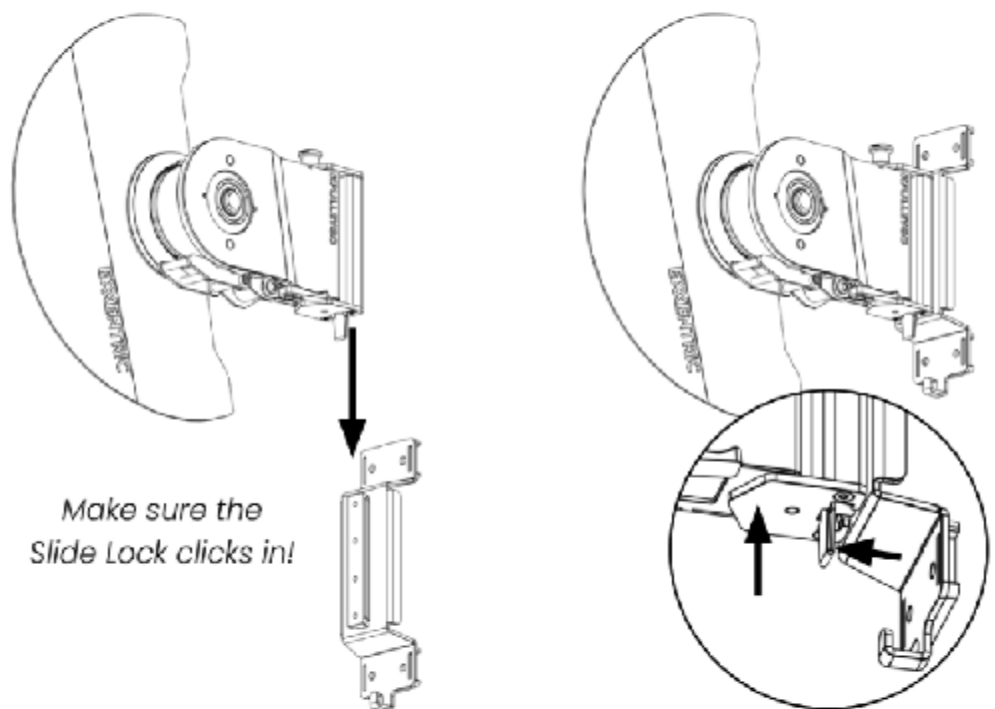
ASSEMBLY INSTRUCTIONS

3.

KPULLEY GO/GO+ MOUNTING

Attaching the Device

Follow the steps below to secure the kPulley Go to the Strap Mount.



*Make sure the
Slide Lock clicks in!*

*Push the lock
forward and lift the
Go to remove it
from the mount*

The interface (rail part) for mounting is the same for all different types of mounts made for the Go/Go+.

ELEIKO

RAISE THE BAR

Eleiko Group AB | Klastorpsvägen 18 | SE-302 62 HALMSTAD | Sweden
E-mail: info@eleiko.com | Phone: +46 35 17 70 70

www.eleiko.com