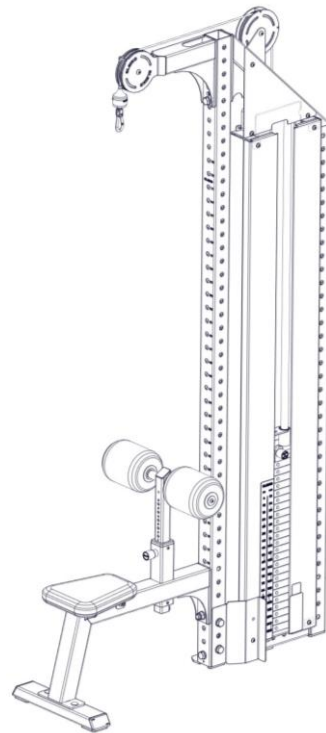
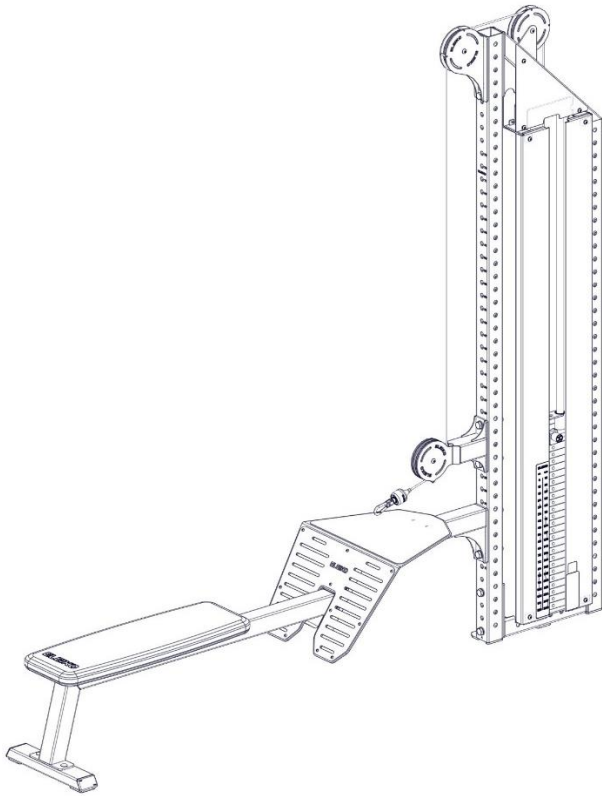


Art.no. 2002374-M

Service Manual Cable Units

RAISE THE BAR



ELEIKO

Content

Read Before Installation and Use

- 4 Safety Instructions
- 4 Preventive Maintenance and Inspections
- 4 Weekly Inspections
- 4 Spare Parts and Service
- 5 Warranty

User Guide

- 5 Required Tools
- 5 Important Product Information
- 6 Product Finder
- 8 Assembly Instructions

Read Before Installation and Use

Safety Instructions

It is the responsibility of the purchaser of Eleiko products to instruct all users and supervising personnel on proper usage of the equipment.

1. All included warnings (labels) and instructions MUST be read before the use of any Eleiko-equipment. Use each equipment as it is intended for.
2. DO NOT let anyone, under any circumstances, use equipment that appears to be damaged.
3. DO NOT remove any safety labels from the Eleiko-equipment. Eleiko is not responsible if a label is removed. Replace damaged labels immediately.
4. DO NOT replace the components of Eleiko-equipment with other none Eleiko-equipment (wires, magnetic safety pin, frames, bars), do not improvise.

Preventive Maintenance and Inspections

It is very important that the product is maintained according to the recommendations developed by Eleiko. This is so that the product can achieve the intended lifespan, continue to be safe and for the warranty to be valid.

Eleiko recommends that all work to replace spare parts is carried out by Eleiko technicians or other authorized personnel.

Weekly Inspections

- Check the wire for damage. If there is any damage to the wire or its coating, replace it immediately. The unit shall not be used while waiting for repair.
- Check that the pulley wheel does not make any noise which can indicate that the wheel is not working properly. This can damage the wire in the long run, replace the wheel immediately.
- Check that the cable trolley does not make any noise which can indicate that the trolley is not working properly. This may also damage other connected parts and impair the units functions.

Regularly

- Clean the surfaces on seats, frames and tubes from dust and dirt.
- Check that all bolts between parts, walls, floors are properly tightened, according to recommendations.
- Check equipment for sharp edges and replace if necessary.
- Check tubes and welds for cracks or other defects, replace if necessary.

Spare Parts and Service

In case of the slightest uncertainty and questions regarding maintenance, replacement of spare parts or other technical questions, please contact:

Eleiko Group AB | Klastorpsvägen 18 | SE-302 62 HALMSTAD | Sweden
E-mail: service@eleiko.com | Phone: +46 35 13 30 88 | www.eleiko.com

Warranty

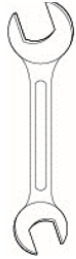
All products manufactured by ELEIKO are warranted to the original purchaser to be free from defects in workmanship and / or materials under normal use or service as follows:

- 10 years on welds on structural frame (NOT on moving parts)
- 5 years on structural moving parts.
- 3 years on bearing, bushings and pulleys.
- 1 year on wire and accessories

User Guide

Required Tools

You need the following tools to assemble the equipment.



Wrench
Sizes:

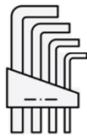
16, 18, 19 & 24



Socket Wrench
Size: 24



Wrench



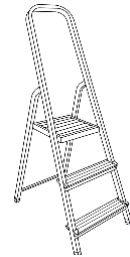
Hex Key-kit
Sizes: 3, 5, 6, 8



Wirecutter



Break Blade
Knife



Stepladder

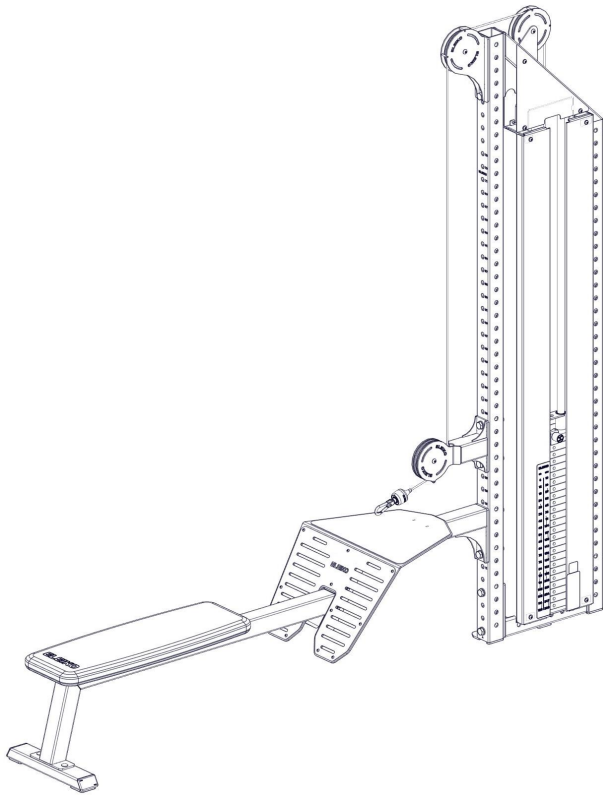
Important Product Information

There are several different wires, it is very important that the right wire is used for each unit.

Check the guide below before starting a cable and wire change.

<p>(mm)</p>	Cable, 2002287	Wire 4 m, $\phi = 4$ mm ($\phi = 5,2$ mm with coating)
	Wire, 3065798	Wire 4 m, $\phi = 4$ mm ($\phi = 5,2$ mm with coating)
	Cable, 2002288	Wire 8,2 m, $\phi = 3,3$ mm ($\phi = 5$ mm with coating)
	Wire, 3002075-L8200	Wire 8,2 m, $\phi = 3,3$ mm ($\phi = 5$ mm with coating)
	Cable Tall Rack 2002289	Wire 9 m , $\phi = 3,3$ mm ($\phi = 5$ mm with coating)
	Wire Tall Rack 3002075-L9000	Wire 9 m , $\phi = 3,3$ mm ($\phi = 5$ mm with coating)

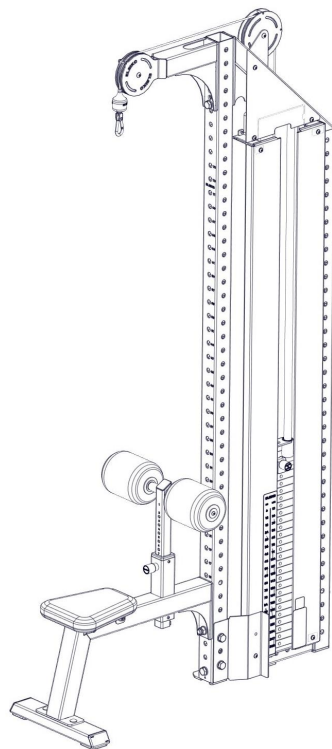
Product Finder



Eleiko Cable Low Row

3085859-FS
3085859-MS
3085859-WM

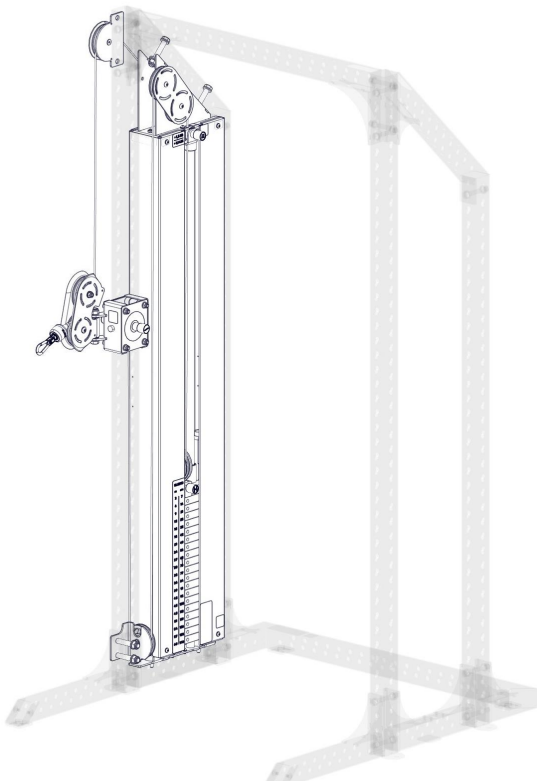
Continue on page 8.



Eleiko Cable Lat Pull Down

3085878-FS
3085878-MS
3085878-WM

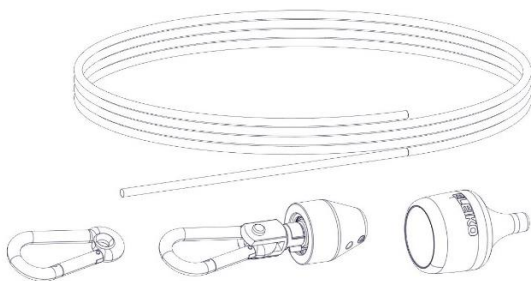
Continue on page 18.



Eleiko Prestera Cable Attachment

- 3085601
- 3085709
- 3085850
- 3085806
- 3085807
- 3085849

Continue on page 28.



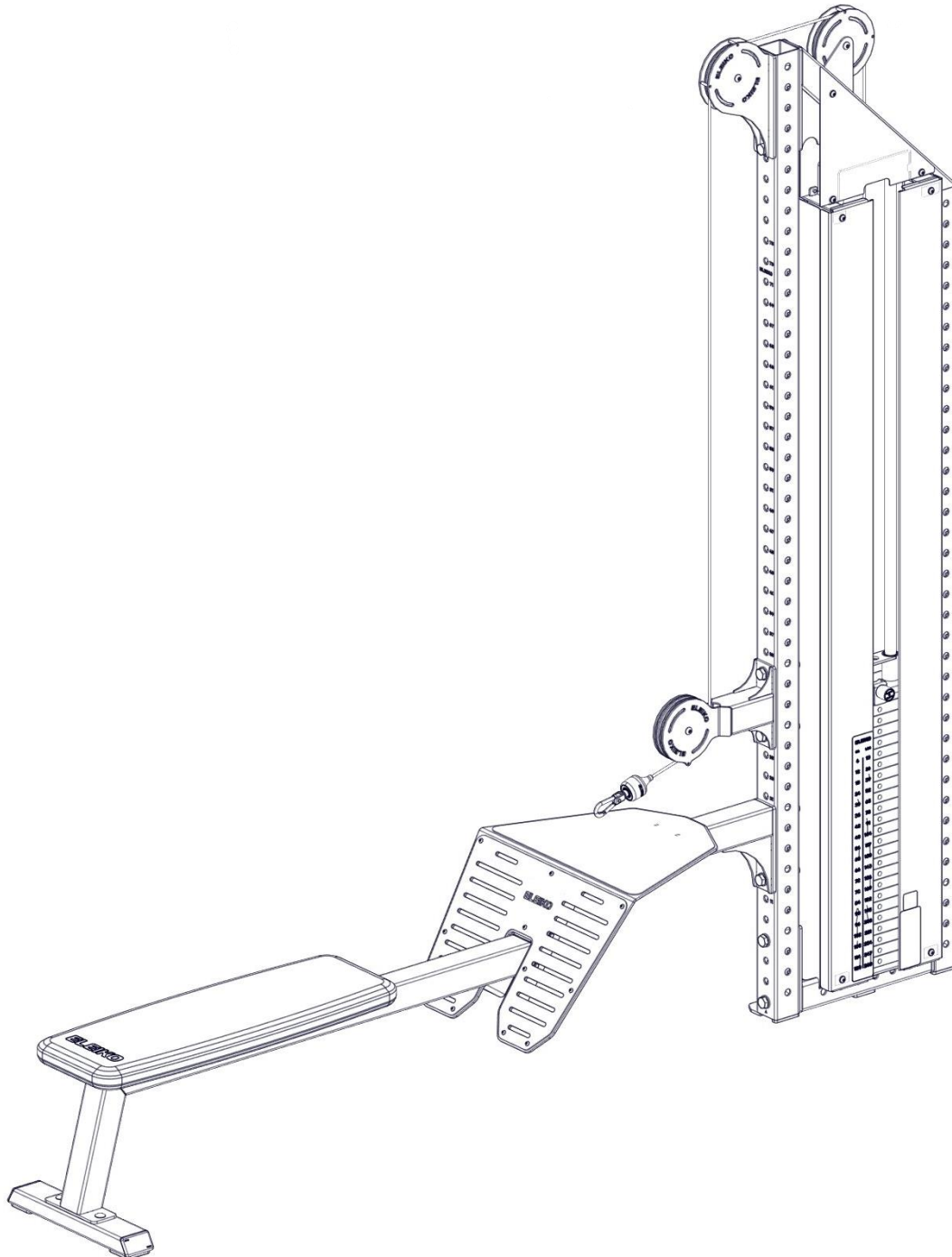
Replacement of Wire & Associated Components

- 2002287
- 2002288
- 2002289


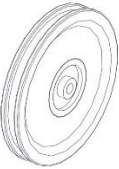


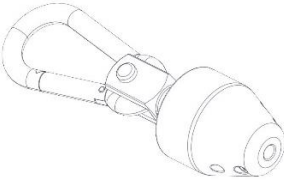

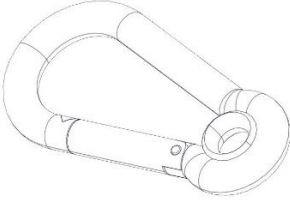
Continue on page 47.

Art.no. 3085859, 3085859-MS-120, 3085859-FS-120, 3085859-WM-120
3085859-MS-150, 3085859-FS-150, 3085859-WM-150

Eleiko Cable Low Row



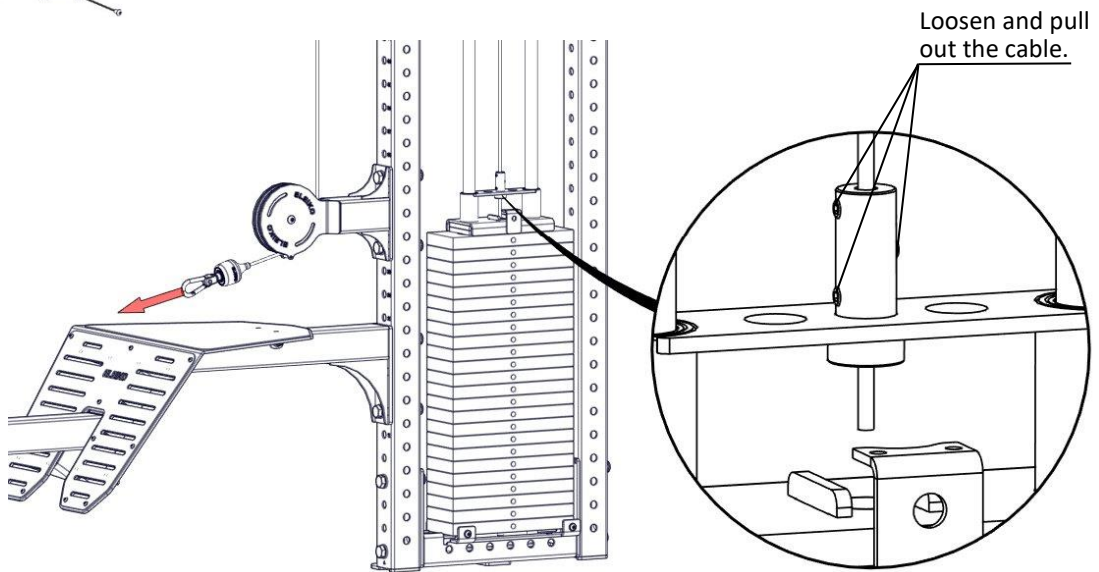
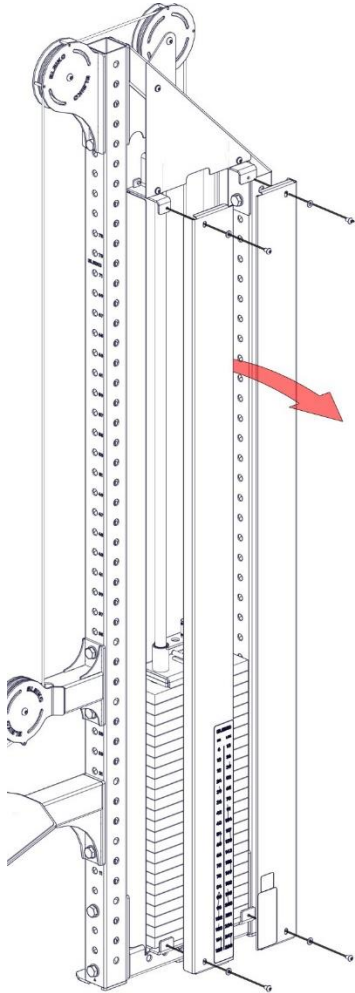
Spare Parts List

	Name Art. Nr.	Specifications	Installation On page:
	<p>Cable 2002287</p>	<p>Wire 4 m, $\phi = 4 \text{ mm}^*$ ($\phi = 5,2 \text{ mm}$ with coating)</p>	<p>10</p>
	<p>Pulley Wheel 2002006</p>	<p>-</p>	<p>16</p>
	<p>Seat 2001273</p>	<p>-</p>	<p>17</p>
	<p>Wire 3065798</p>	<p>4 m, $\phi = 4 \text{ mm}^*$ ($\phi = 5,2 \text{ mm}$ with coating)</p>	<p>49</p>
	<p>Rotating Cable End 2002290</p>	<p>-</p>	<p>49</p>
	<p>Rubber Coupler 2002222</p>	<p>-</p>	<p>49</p>
	<p>Carabiner 2001839</p>	<p>-</p>	<p>50</p>

*Important that the correct cable is used. In case of the slightest uncertainty, go back to the guide on page 5.

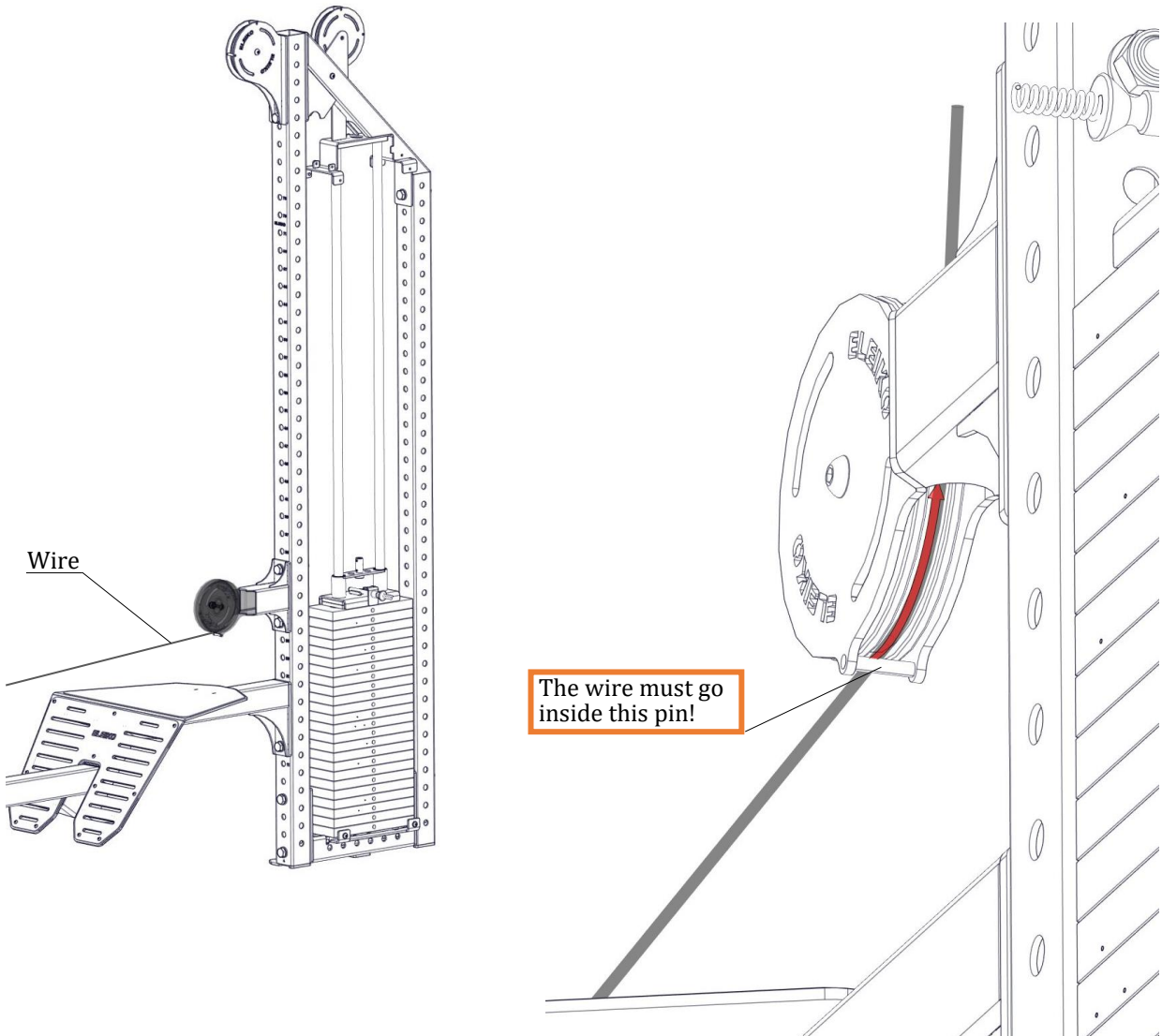


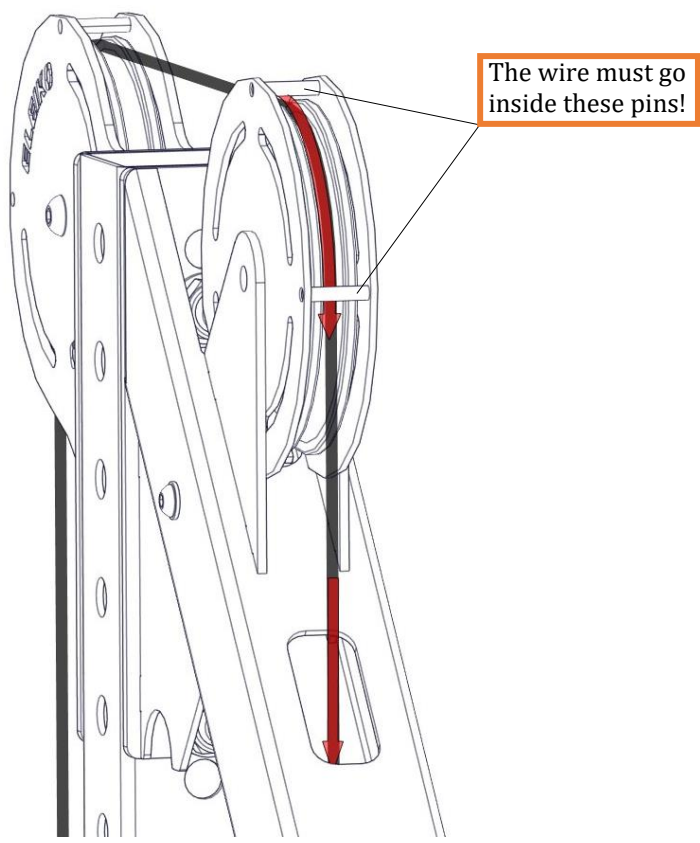
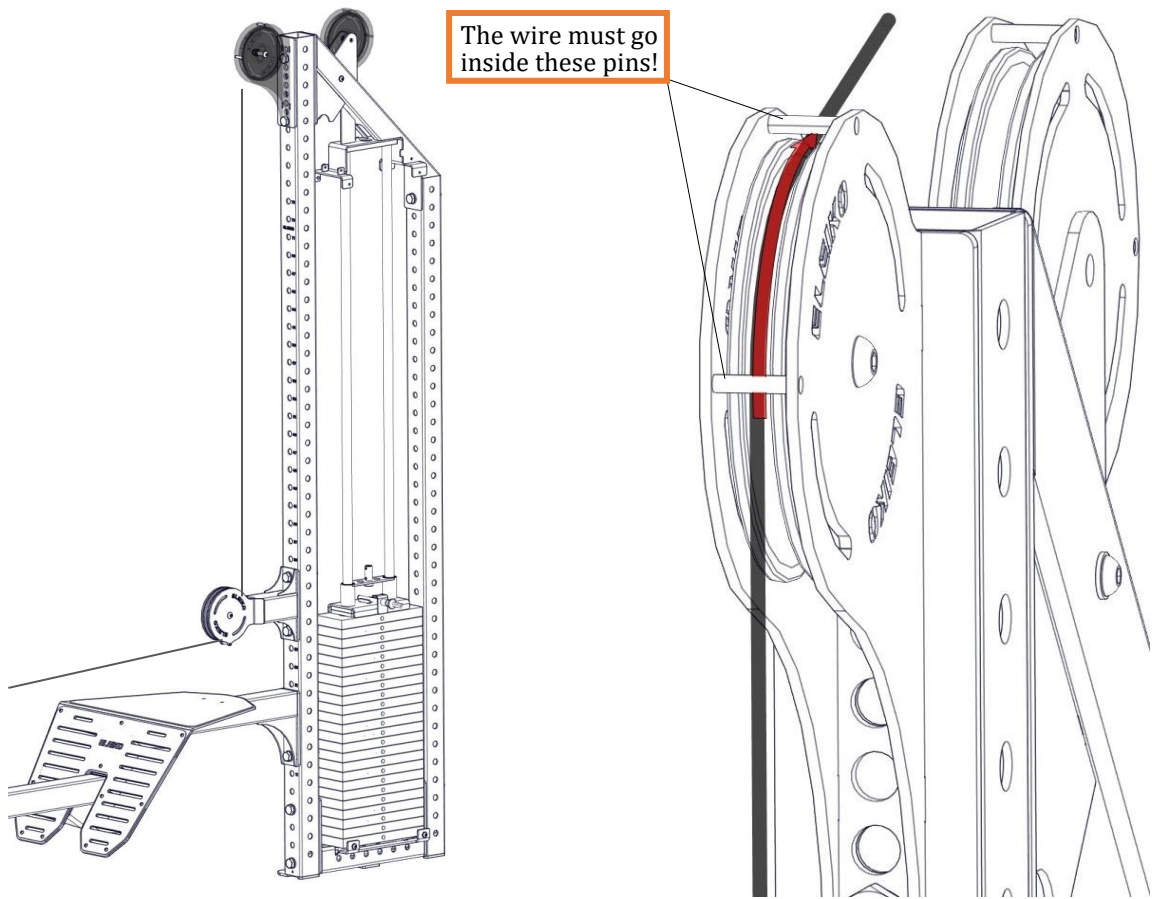
1

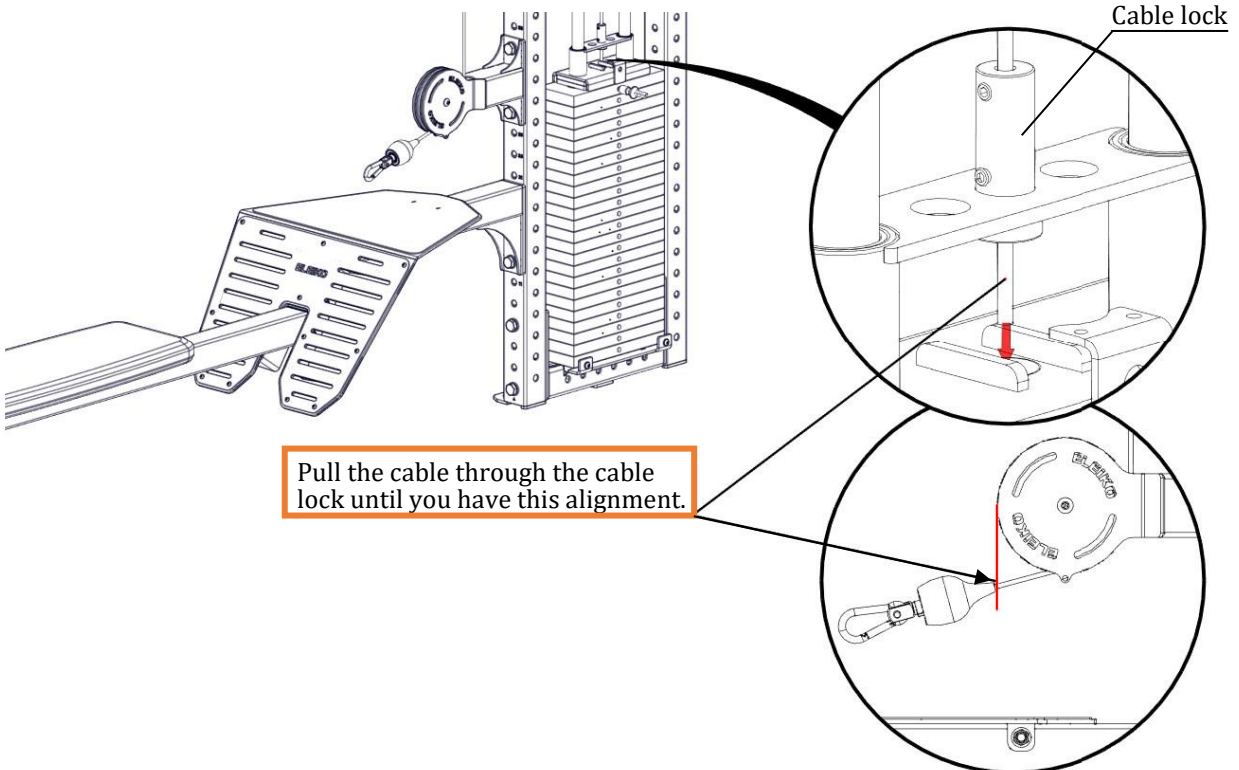
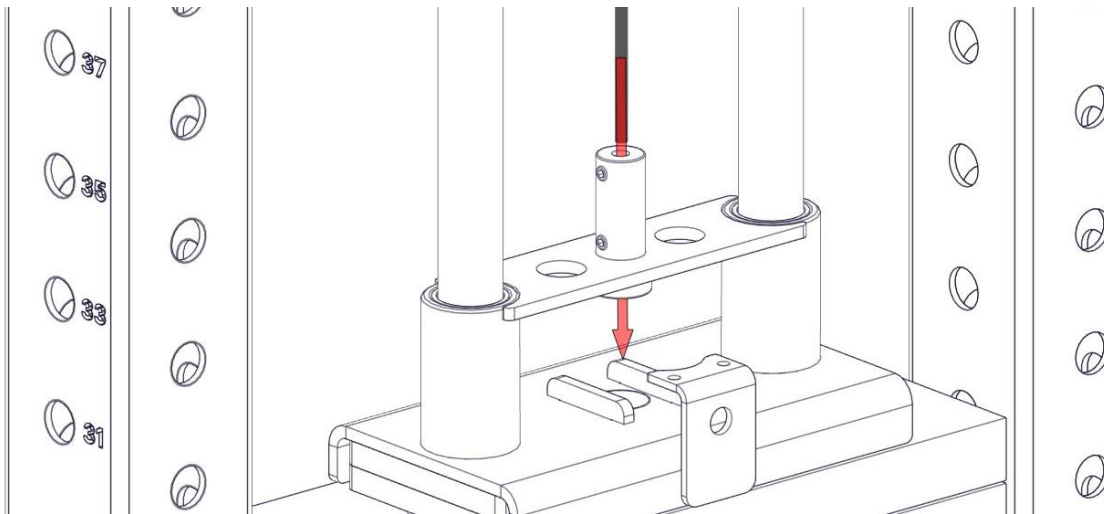
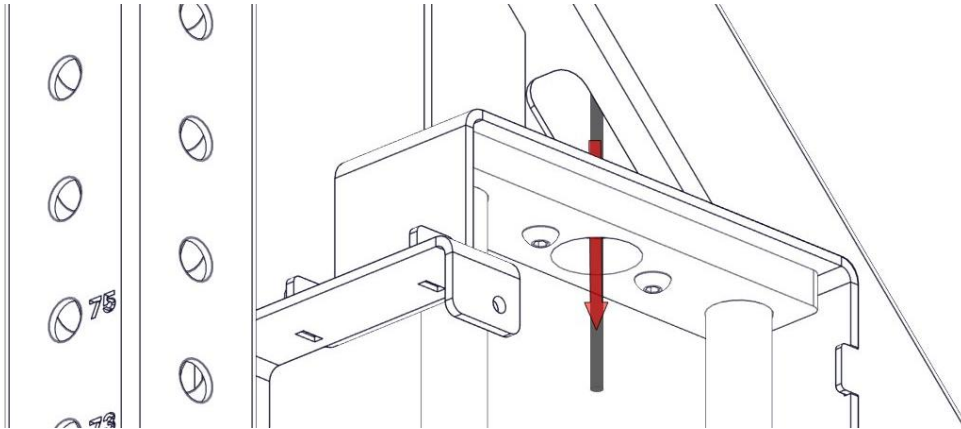


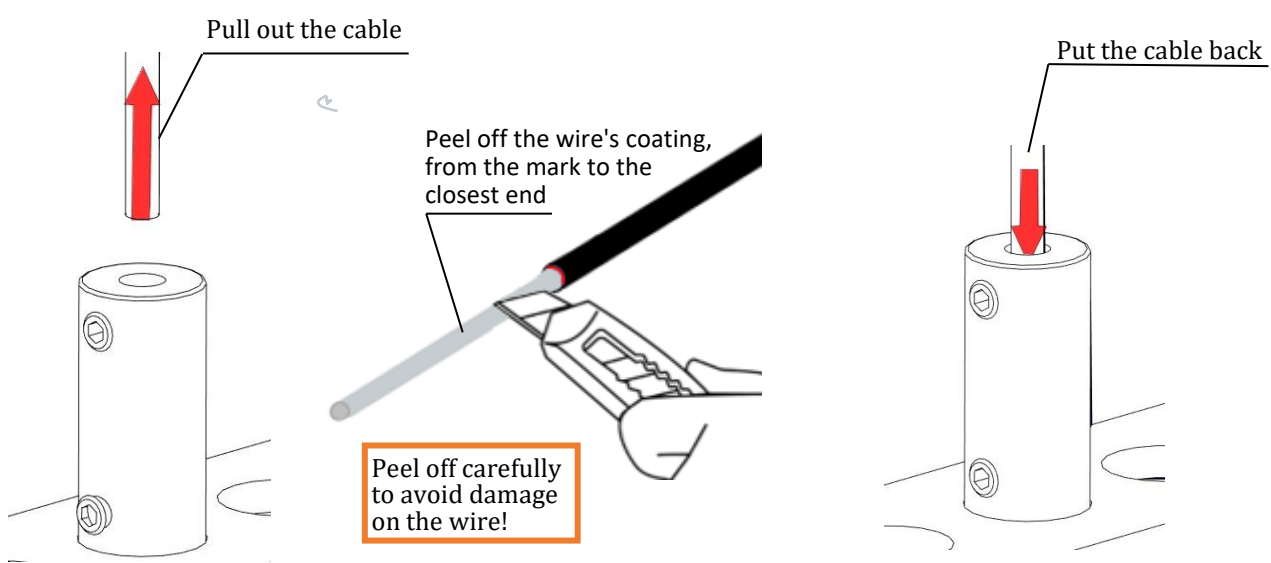
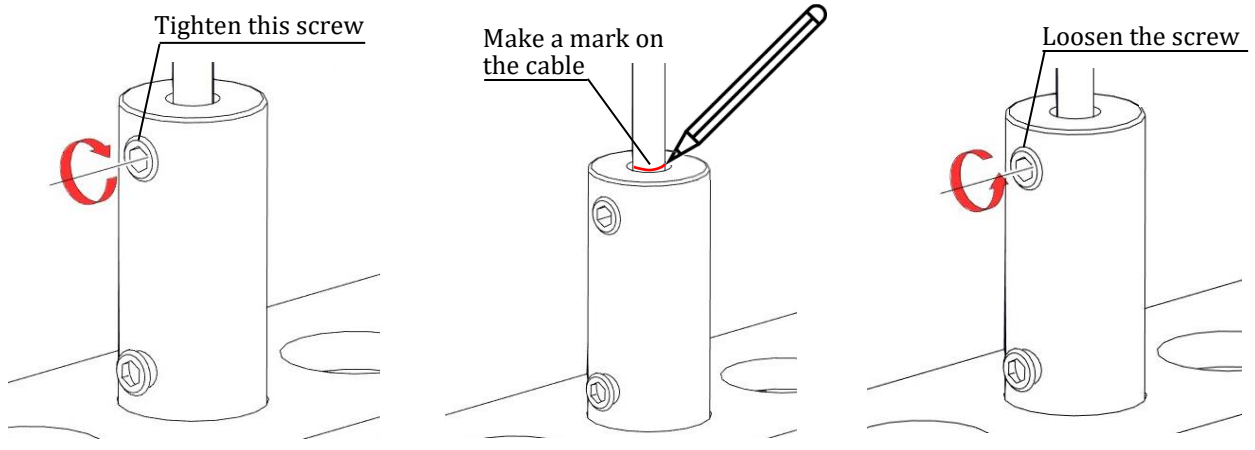
2

Install The Cable!

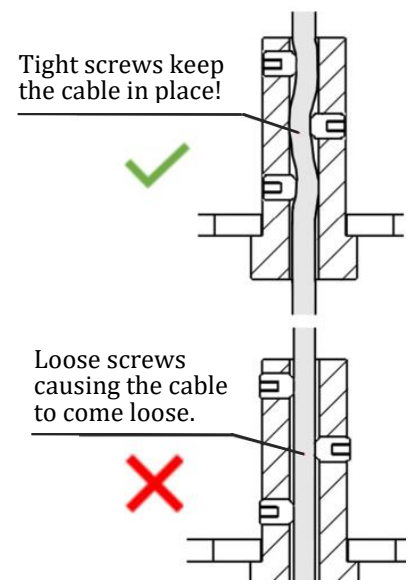
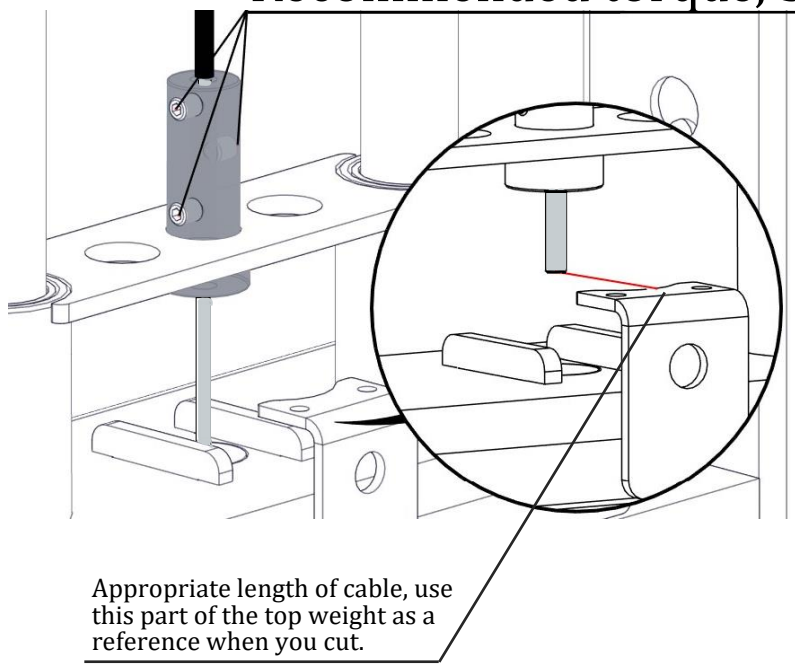


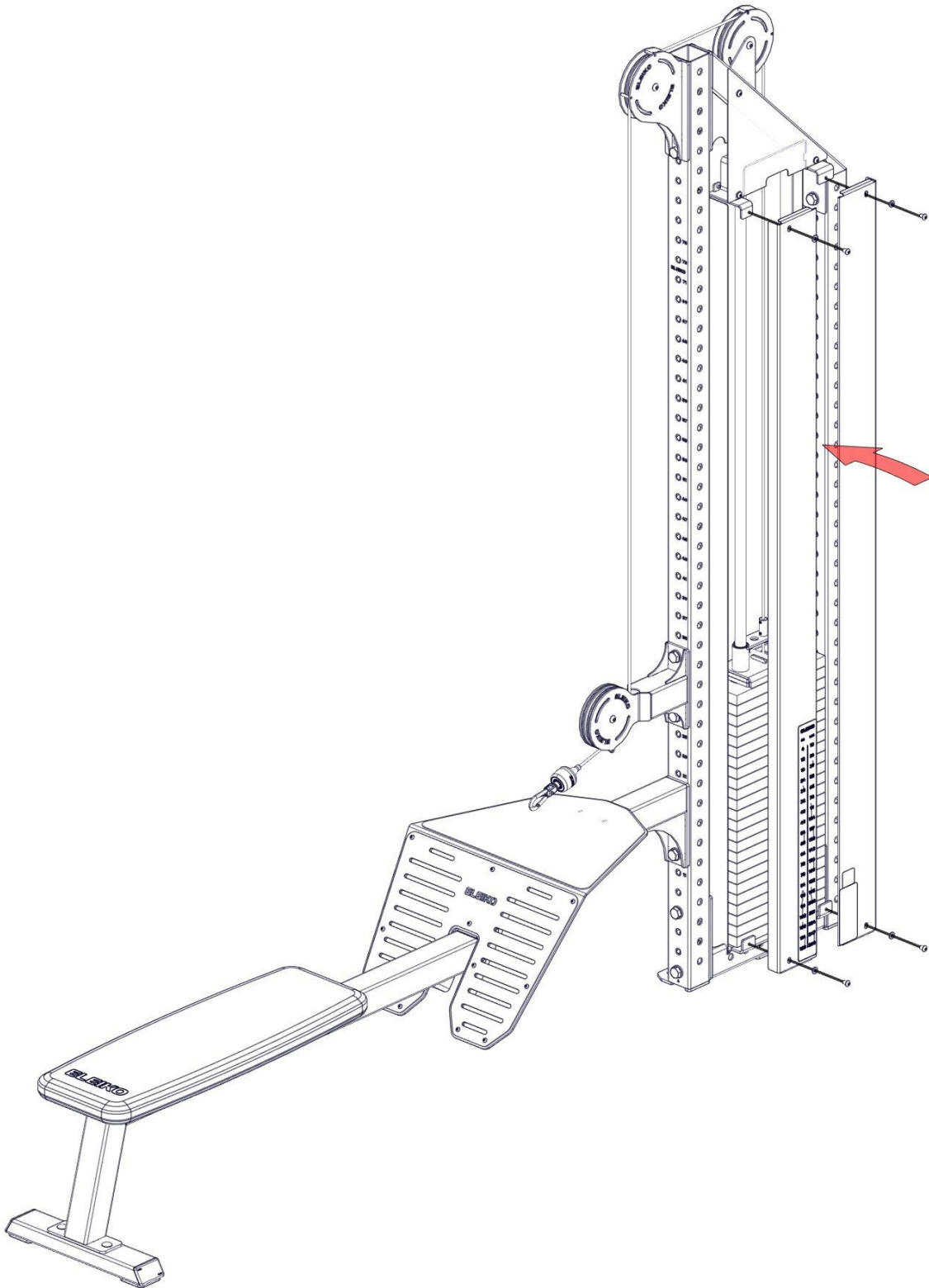


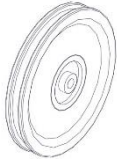




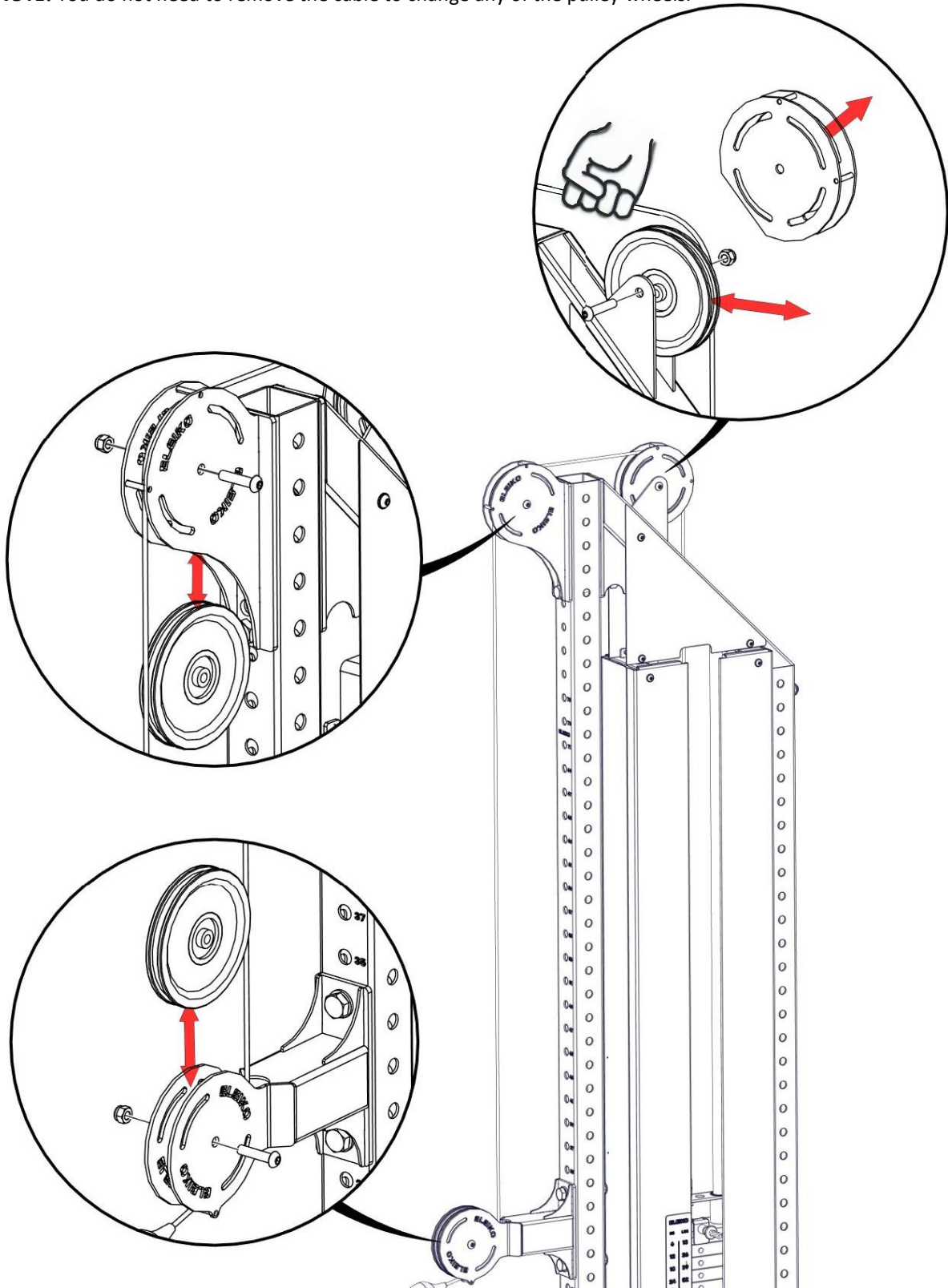
Tighten all three screws very firmly!
Recommended torque, 3 Nm

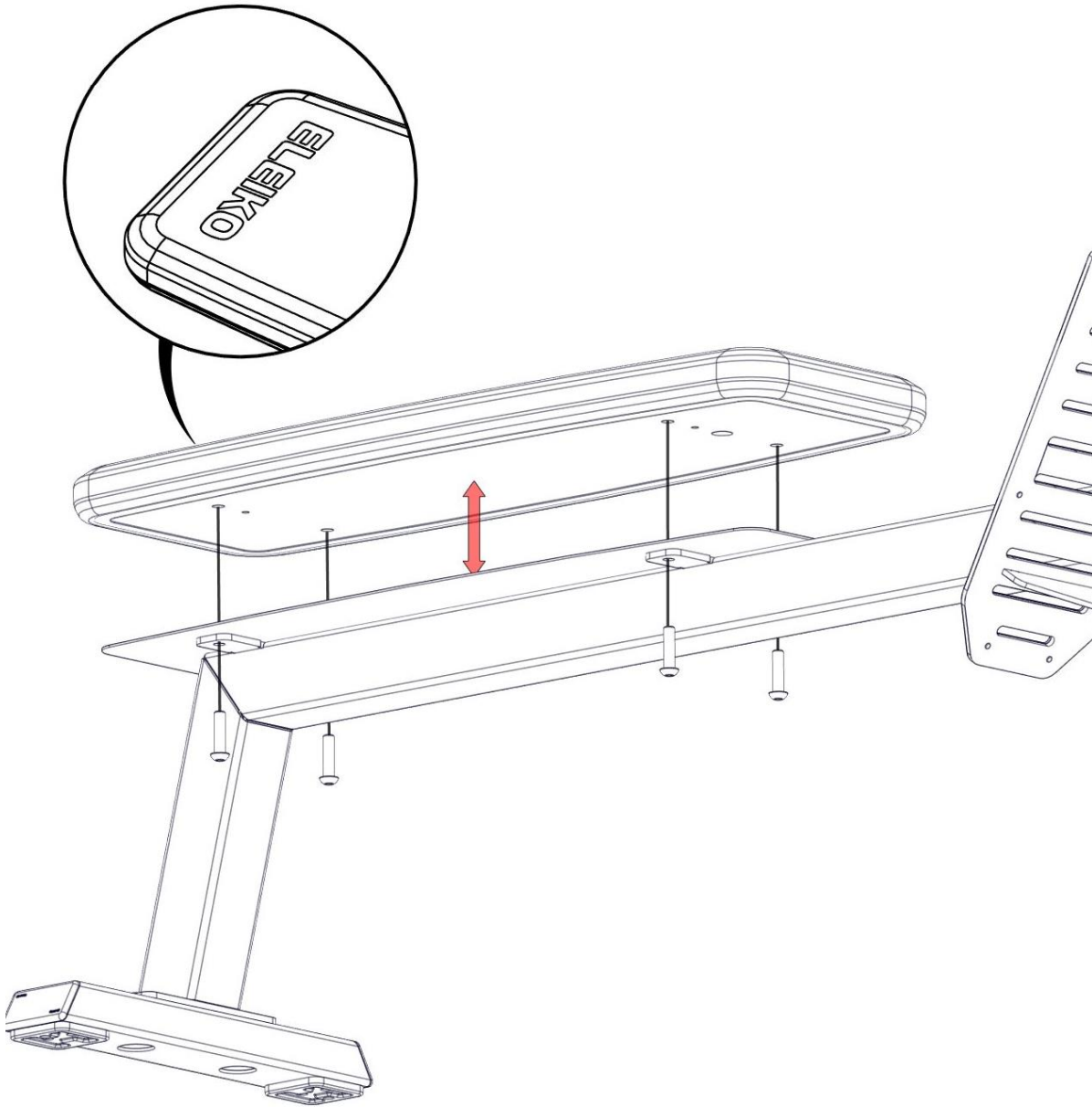






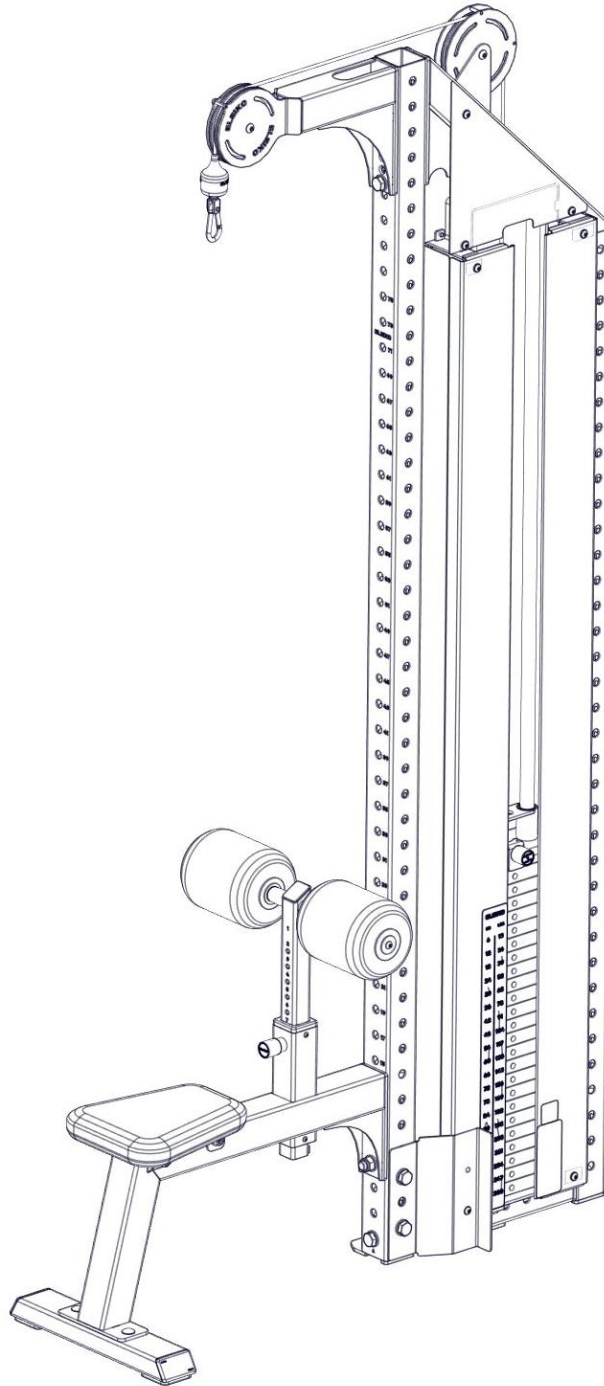
NOTE! You do not need to remove the cable to change any of the pulley wheels.




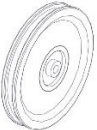


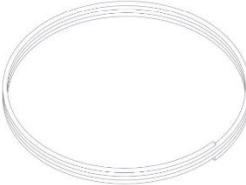
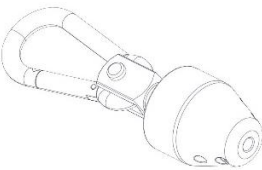

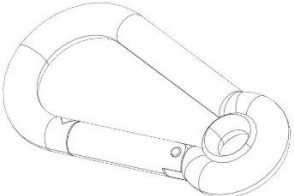


Art.no. 3085878, 3085878-MS-120, 3085878-FS-120, 3085878-WM-120
3085878-MS-150, 3085878-FS-150, 3085878-WM-150

Eleiko Cable Lat Pull Down



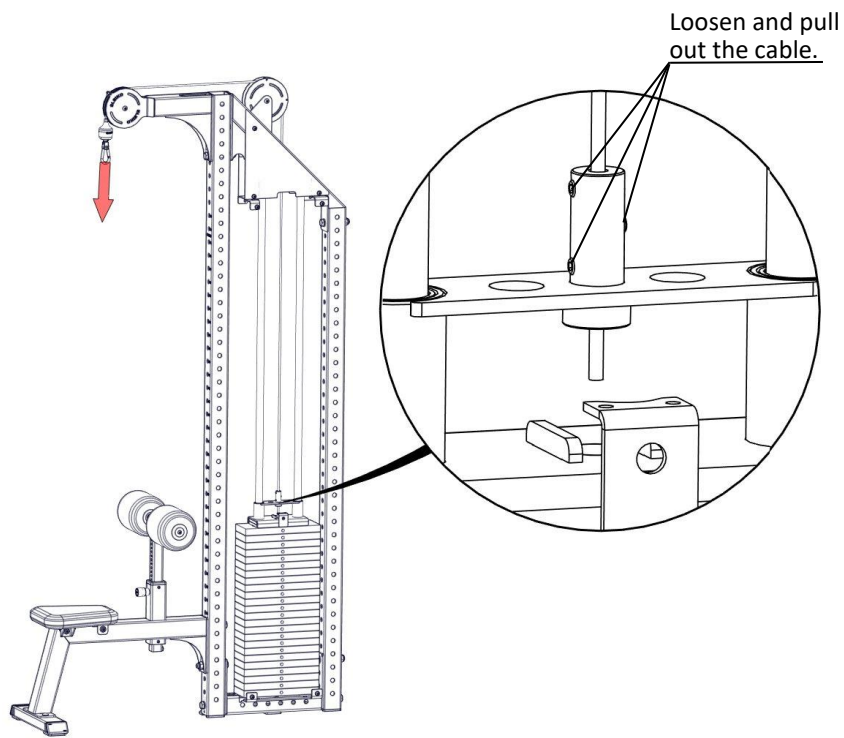
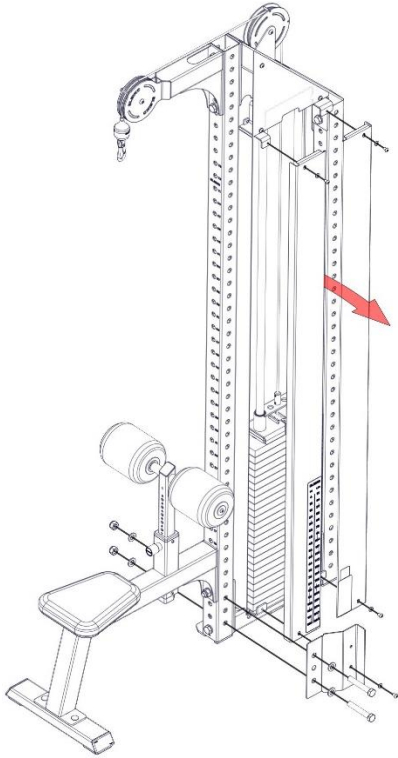
Spare parts list

	Name Art. Nr.	Specifications	Installation On page:
	Cable 2002287	Wire 4 m, $\phi = 4 \text{ mm}^*$ ($\phi = 5,2 \text{ mm}$ with coating)	20
	Pulley Wheel 2002006	-	25
	Knee Pads 2001274	-	26
	Cushion 2001276	-	27
	Wire 3065798	4 m, $\phi = 4 \text{ mm}^*$ ($\phi = 5,2 \text{ mm}$ with coating)	49
	Rotating Cable End 2002290	-	49
	Rubber Coupler 2002222	-	49
	Carabiner 2001839	-	50

*Important that the correct cable is used. In case of the slightest uncertainty, go back to the guide on page 5.

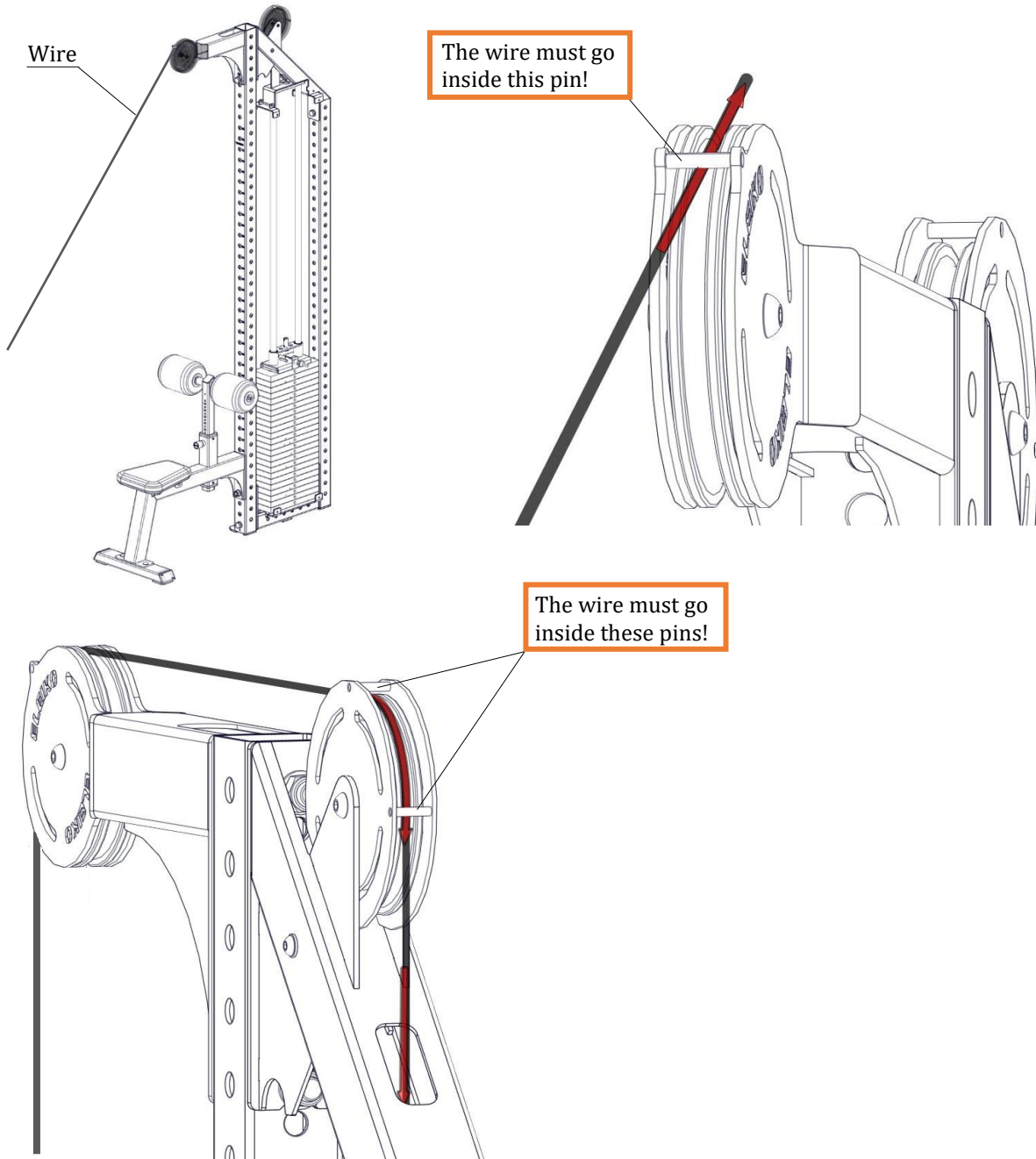


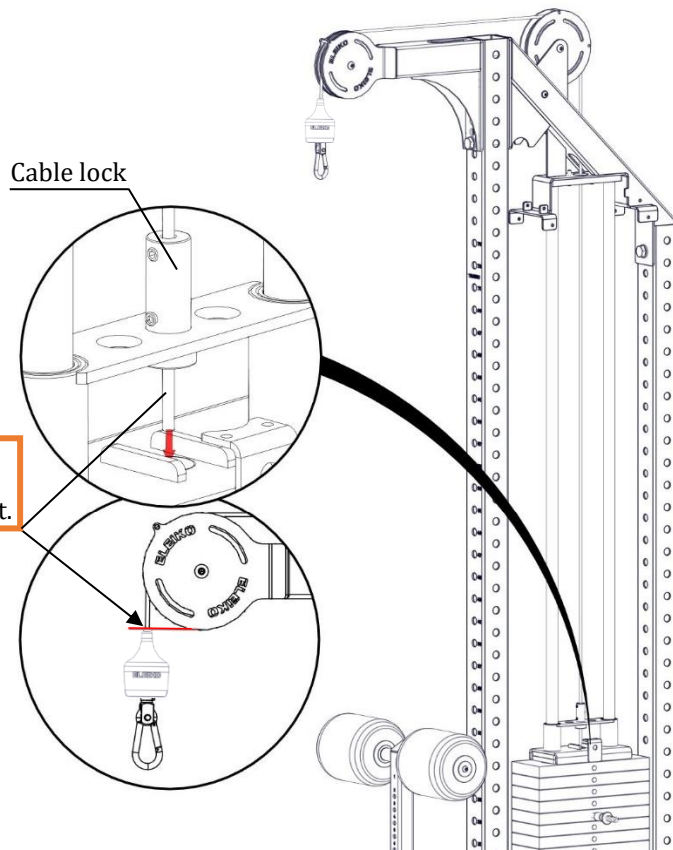
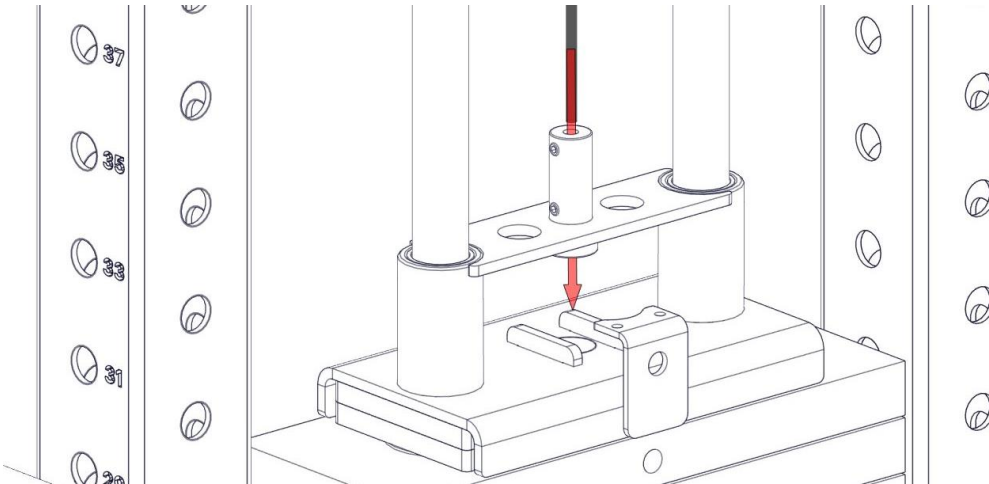
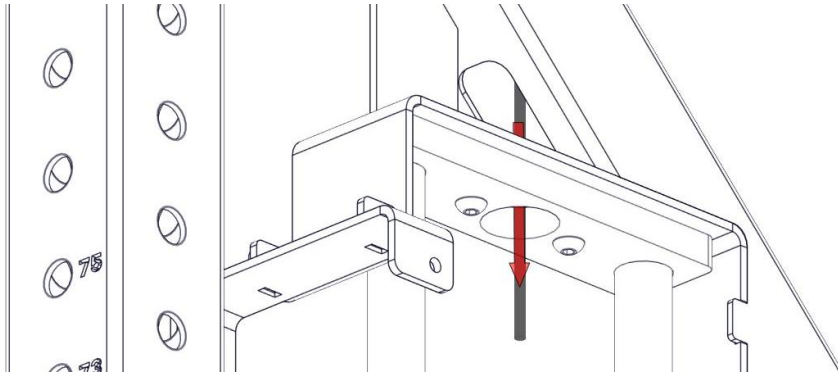
1



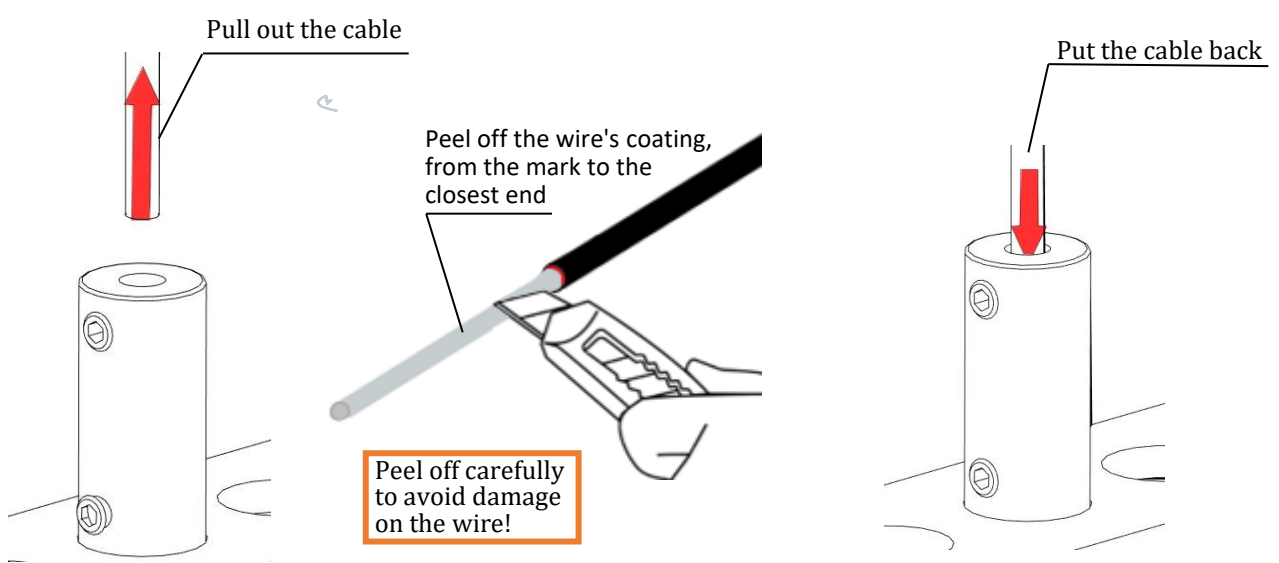
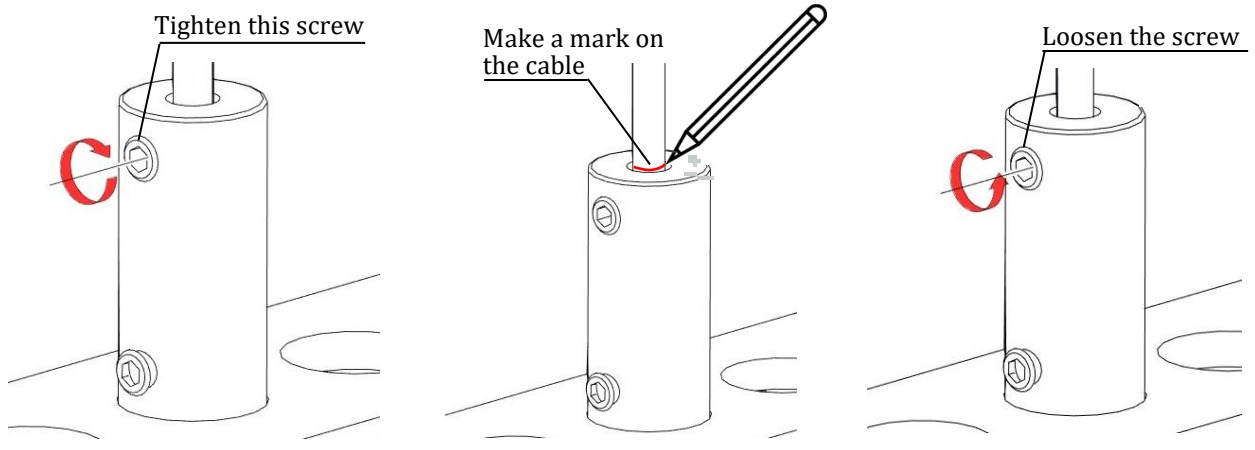
2

Install The Cable!



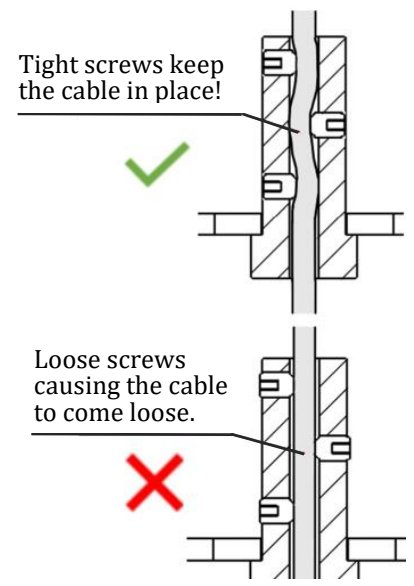
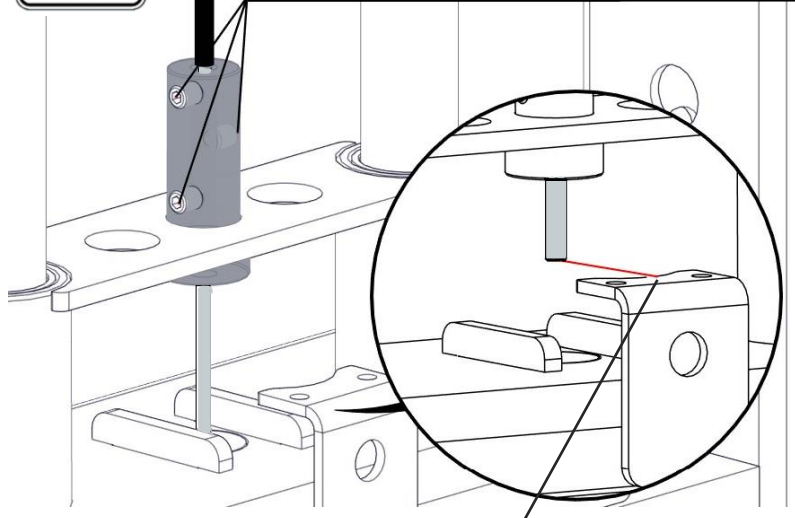


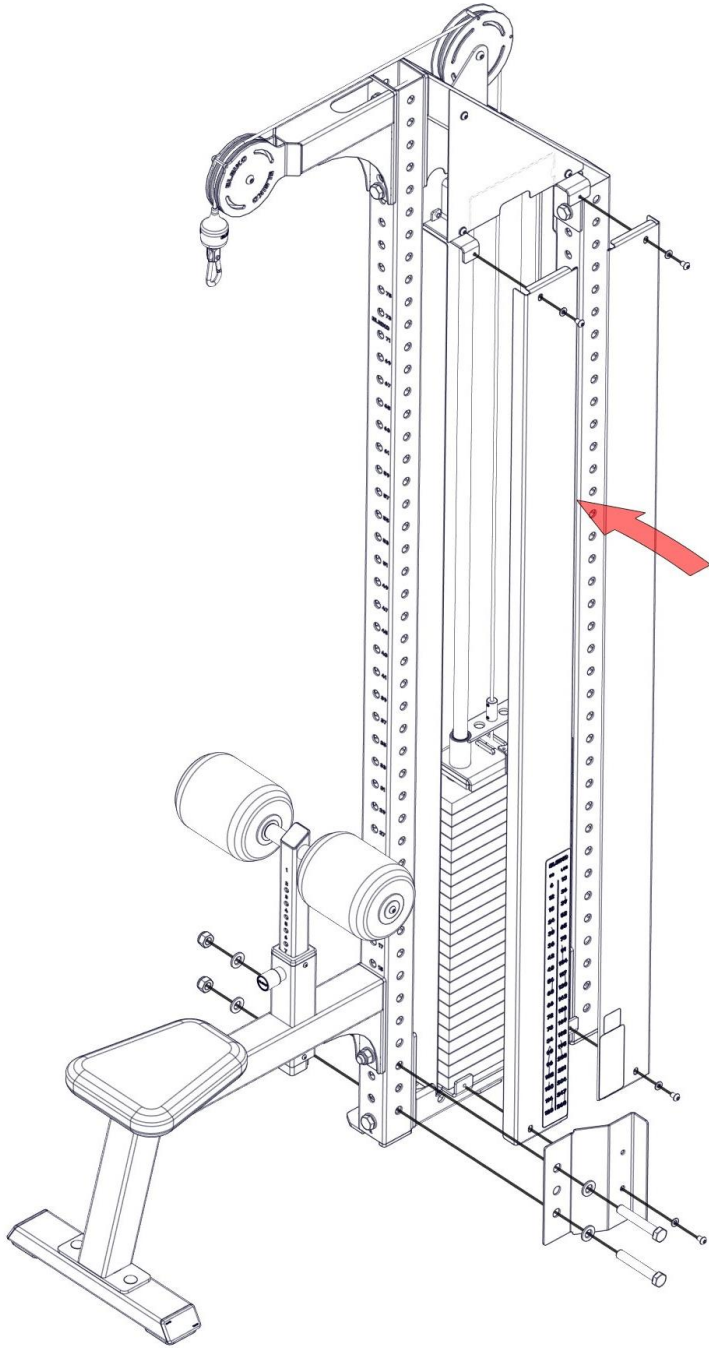
Pull the cable through the cable lock until you have this alignment.

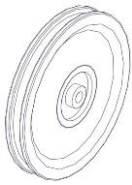


WARNING
Avoid injury.

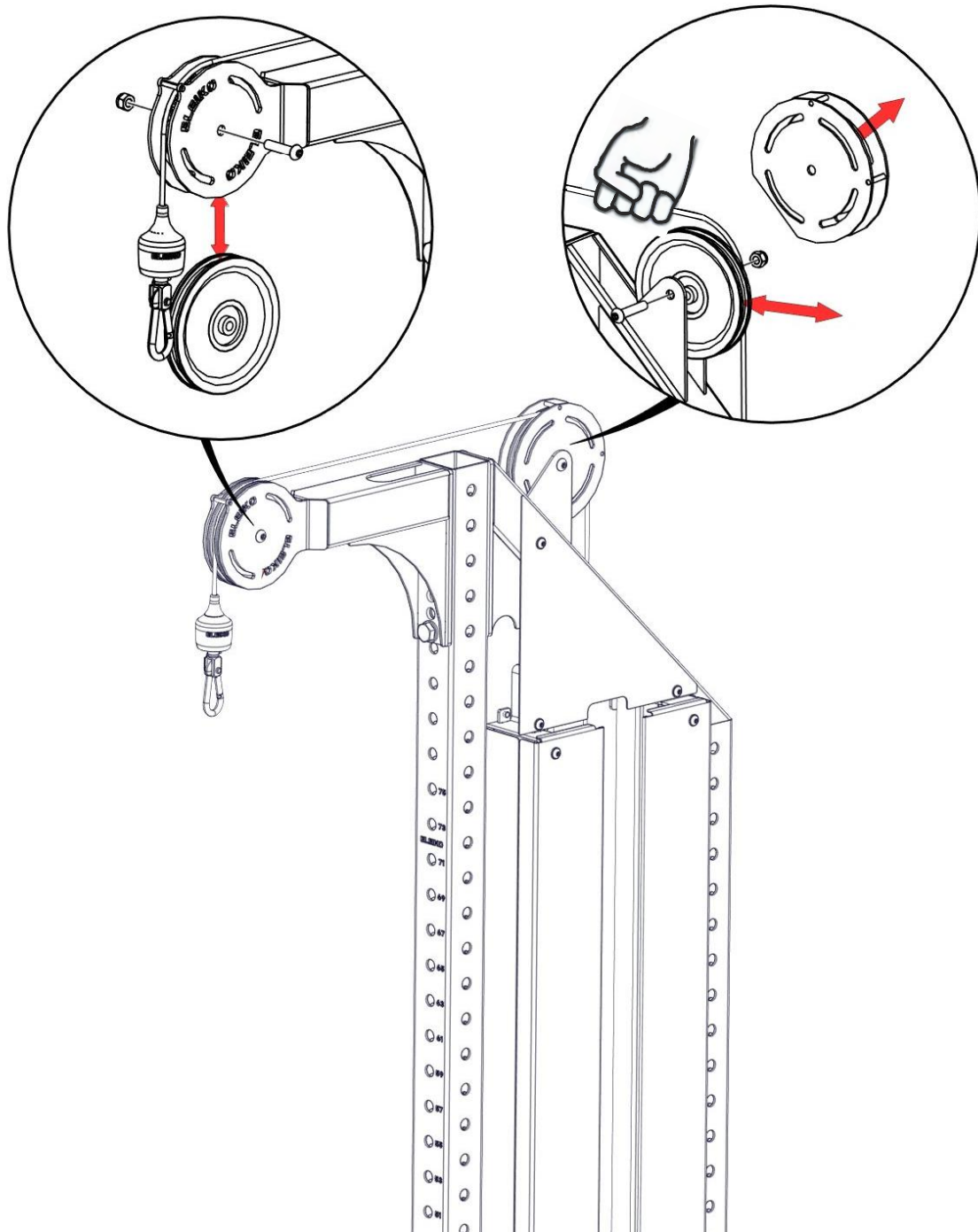
Tighten all three screws very firmly!
Recommended torque, 3 Nm

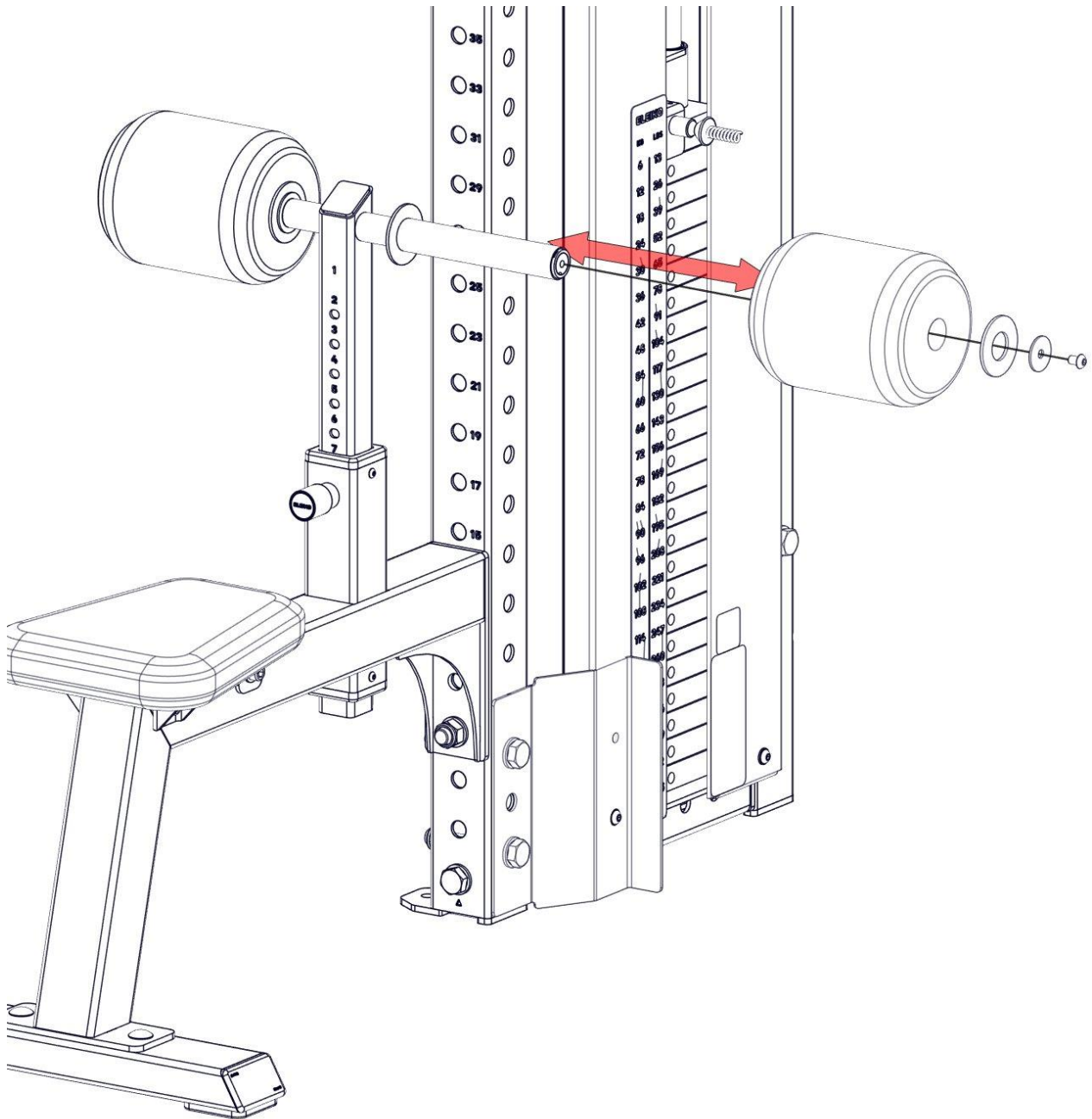
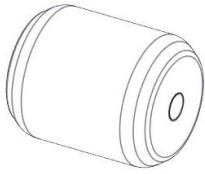


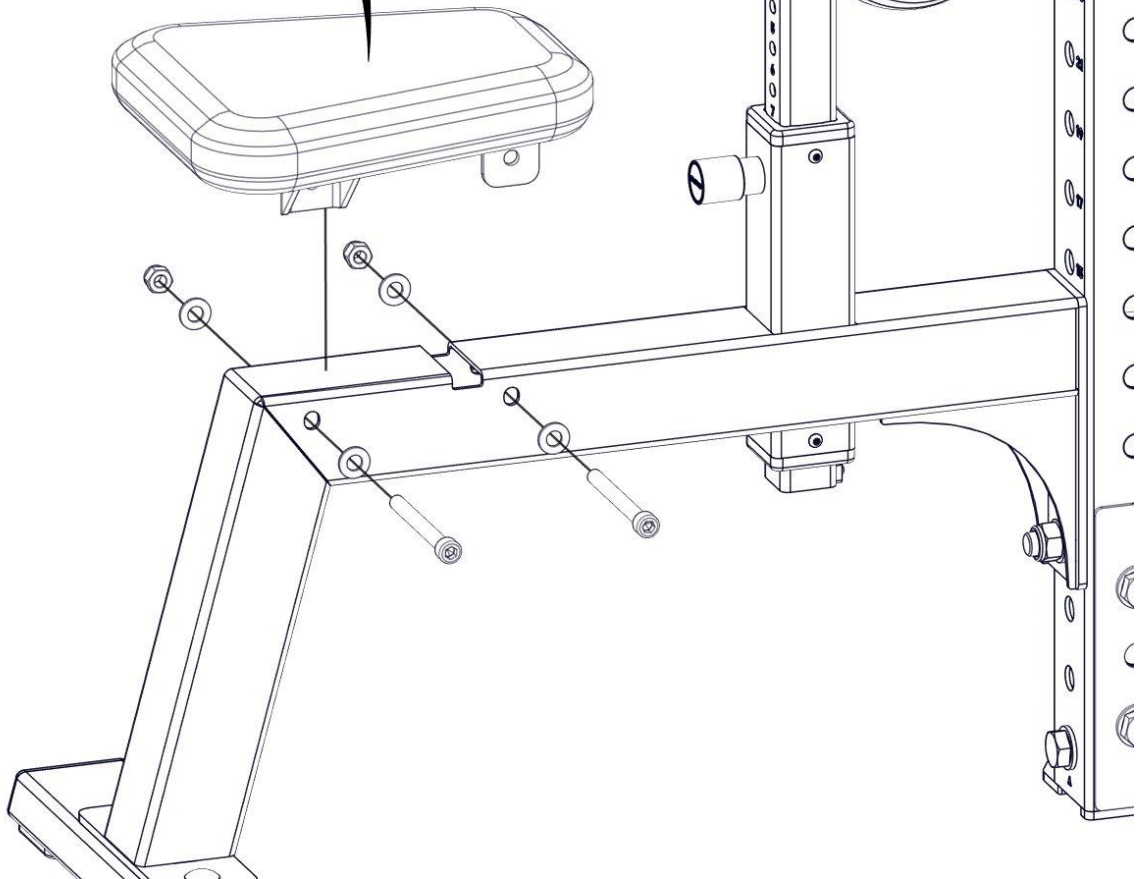
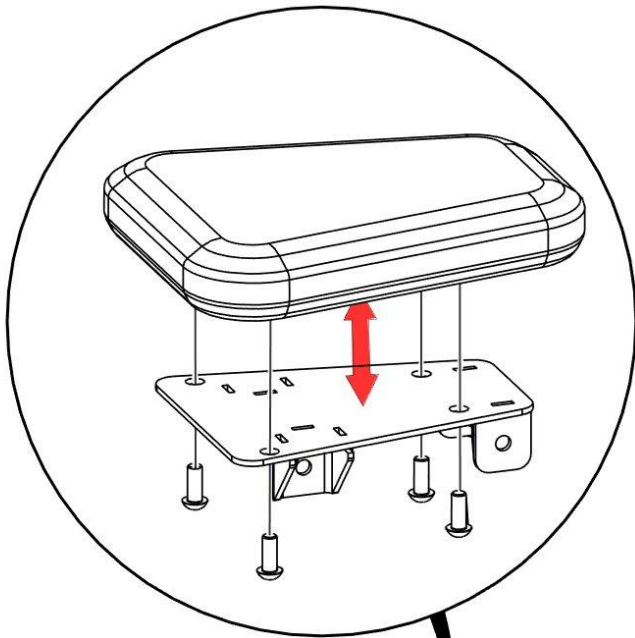
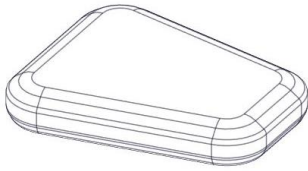




NOTE! You do not need to remove the cable to change any of the pulley wheels.

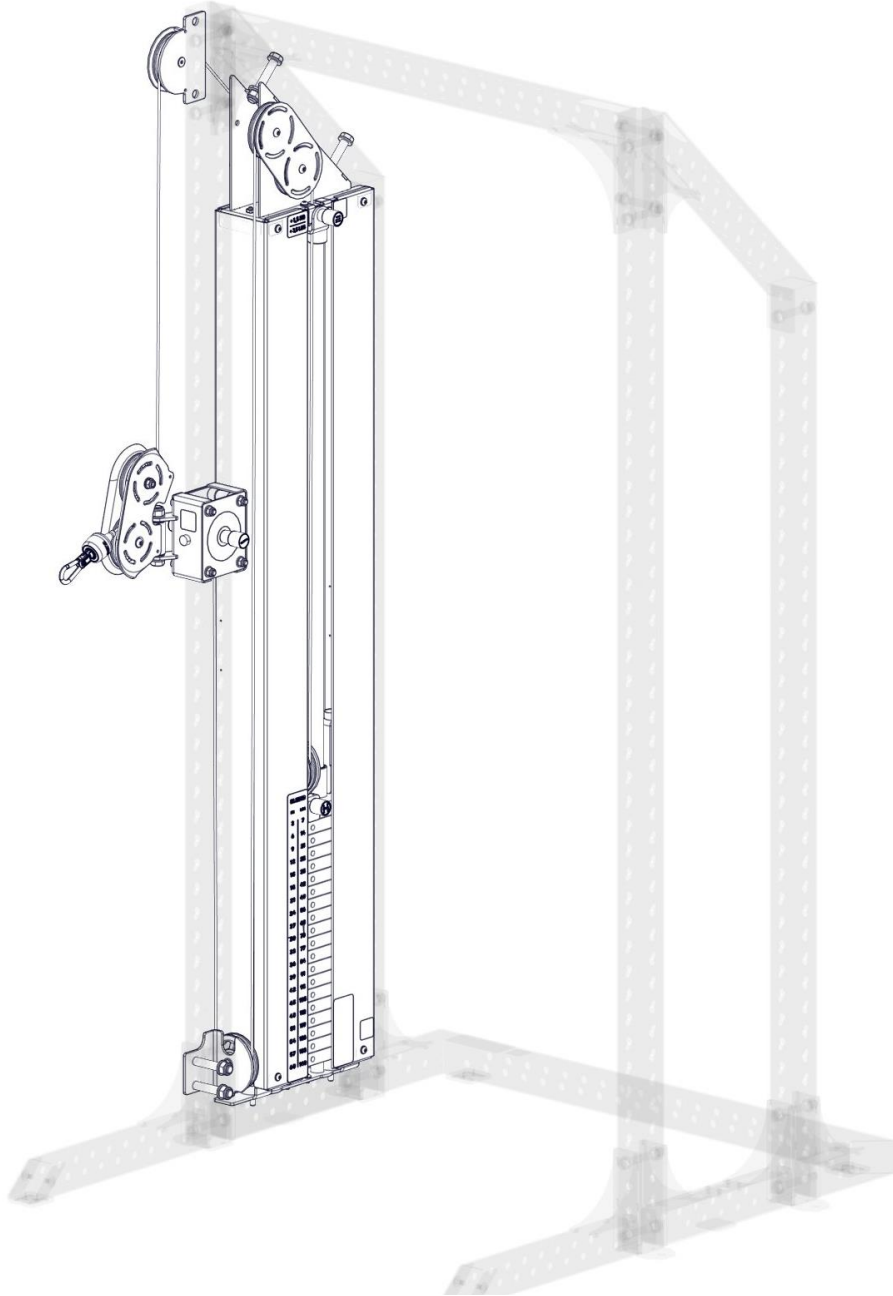






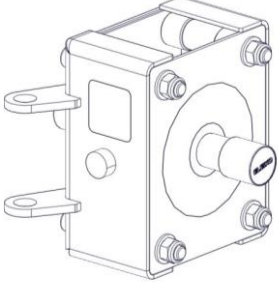
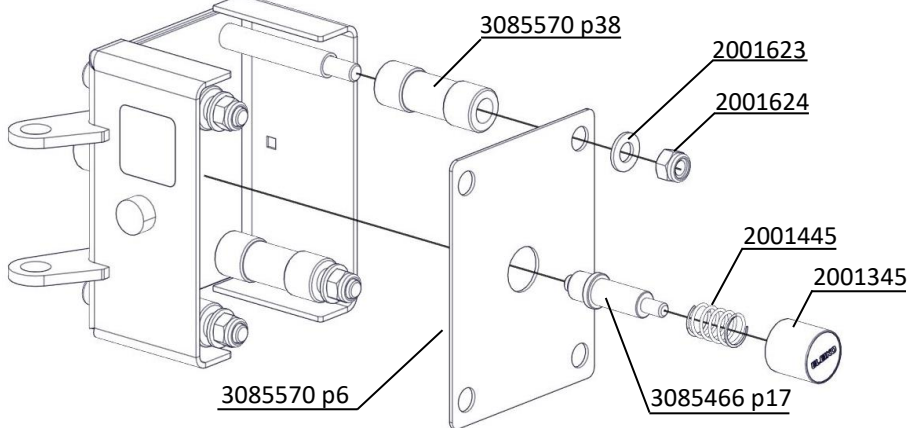
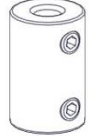
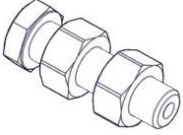






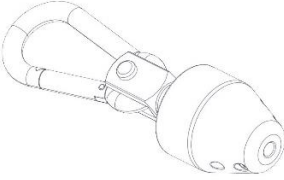
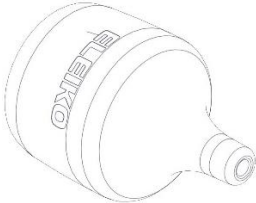
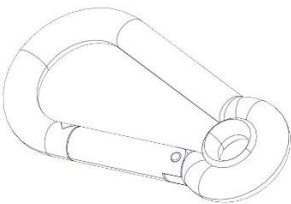
Art.no. 3085601, 3085709, 3085850

Eleiko Prestera Cable Attachment



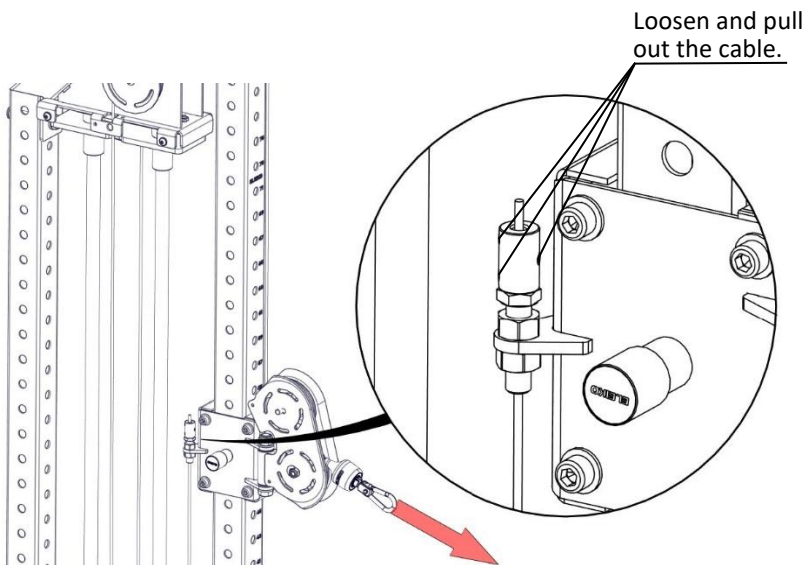
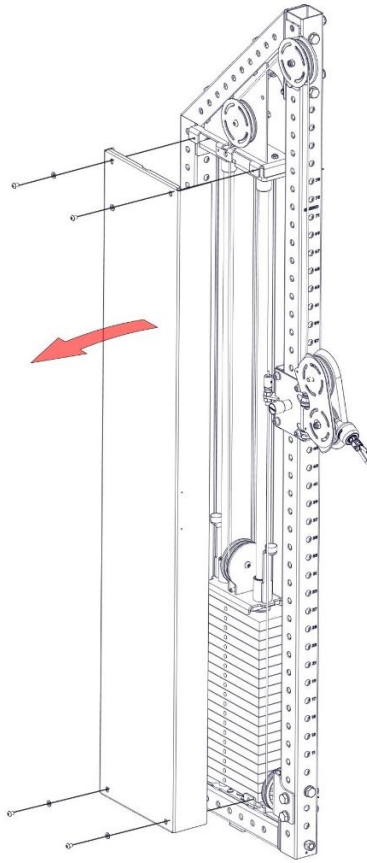
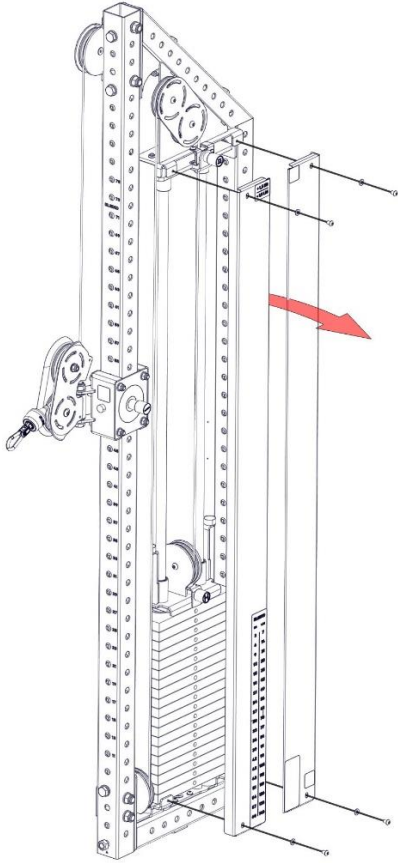
Spare parts list

	Name Art. Nr.	Specifications	Installation on page:
	Cable 2002288	Wire 8,2 m, $\phi = 3,3$ mm* ($\phi = 5$ mm with coating)	31
	Cable Tall Rack 2002289	Wire 9 m, $\phi = 3,3$ mm* ($\phi = 5$ mm with coating)	
	Pulley Wheel 2002006	-	39
	Cable Trolley 3085601 a3	Included Spare Parts:	42
			
	2001808	-	43
	2001485	-	43

	2001000	-	43
	Selector Pin 3085816	-	45
	3061757 p30	-	46
	Wire 3002075-L8200	8,2 m, $\varnothing = 3,3$ mm* ($\varnothing = 5$ mm with coating)	49
	Wire Tall Rack 3002075-L9000	9 m , $\varnothing = 3,3$ mm* ($\varnothing = 5$ mm with coating)	
	Rotating Cable End 2002290	-	49
	Rubber Coupler 2002222	-	49
	Carabiner 2001839	-	50

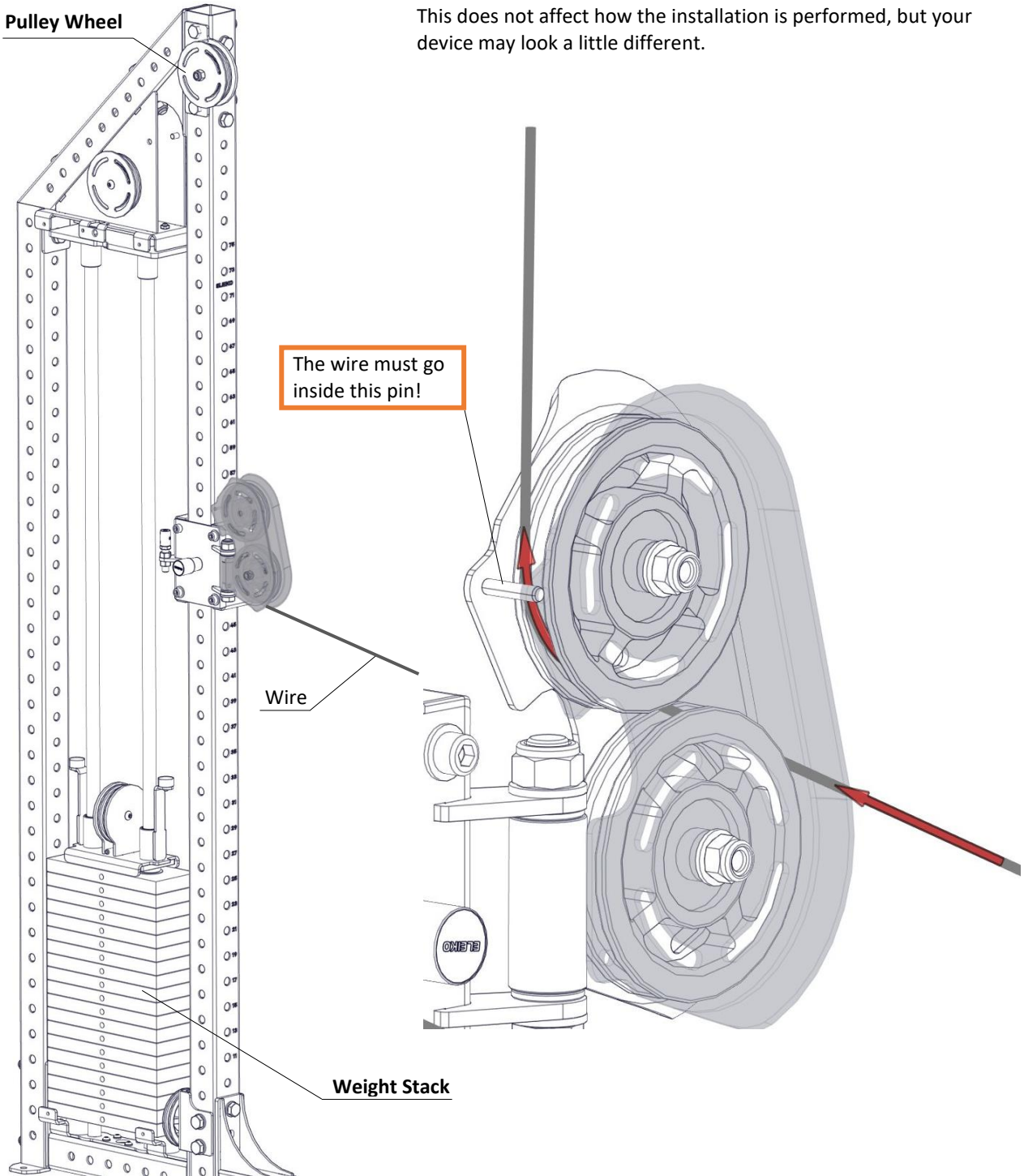
*Important that the correct cable is used. In case of the slightest uncertainty, go back to the guide on page 5.

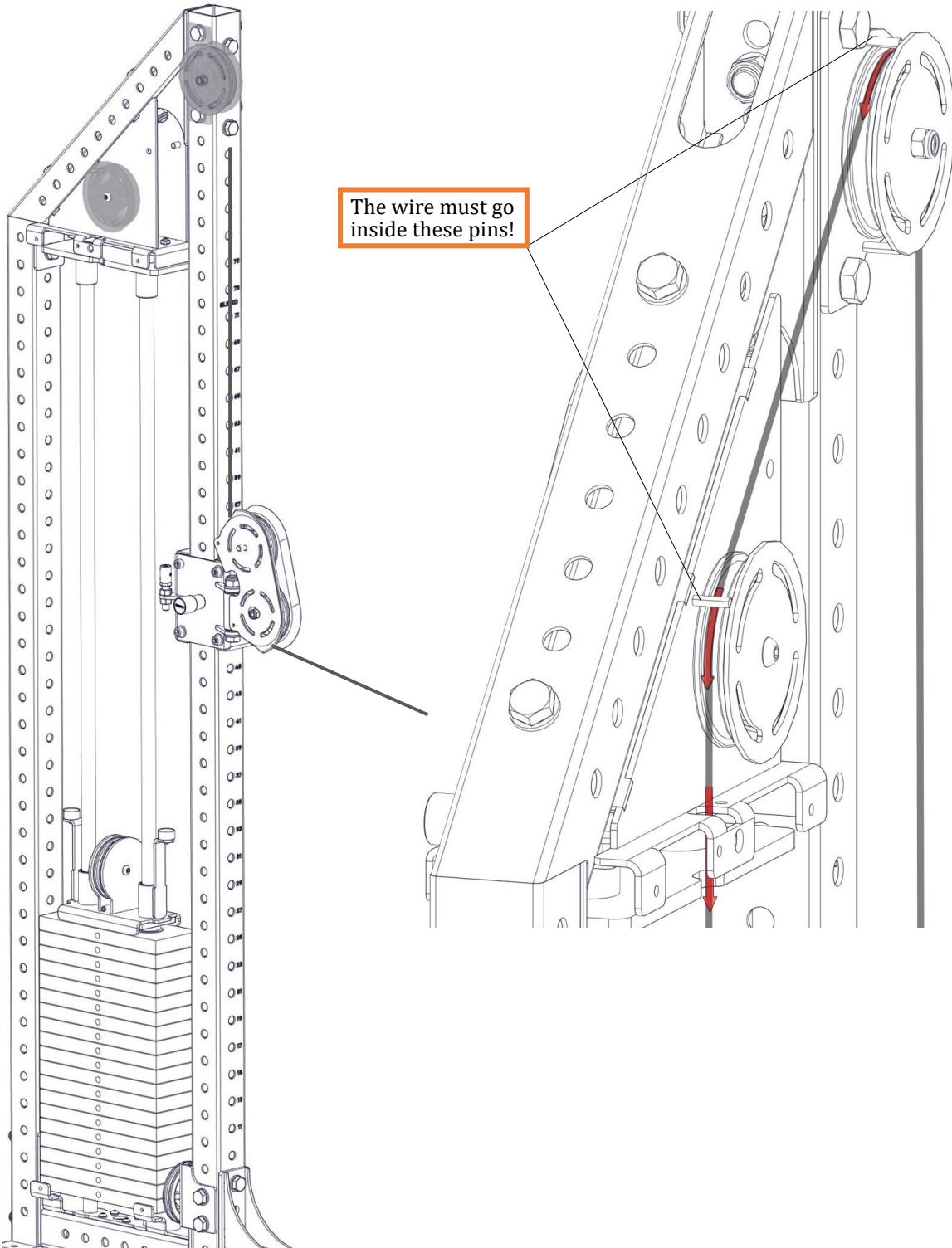
1

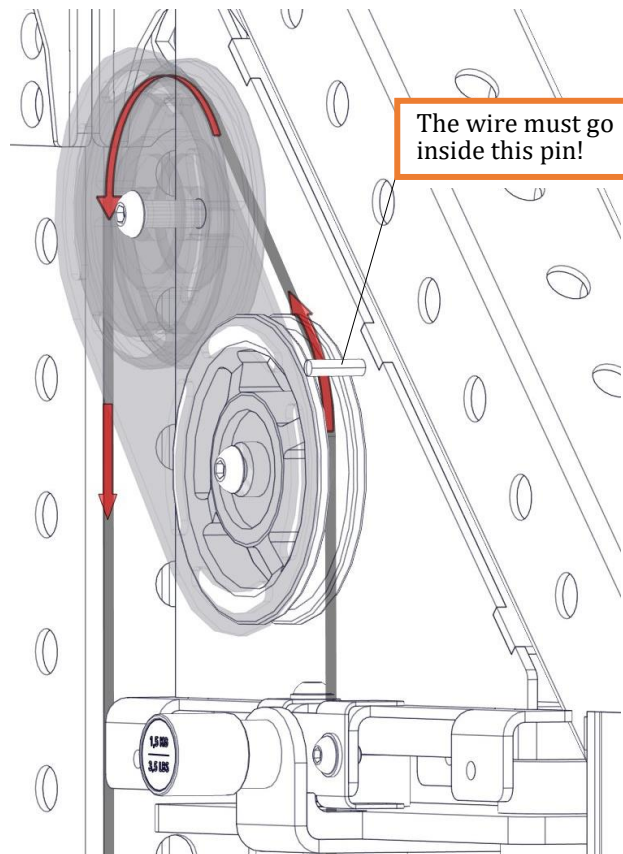
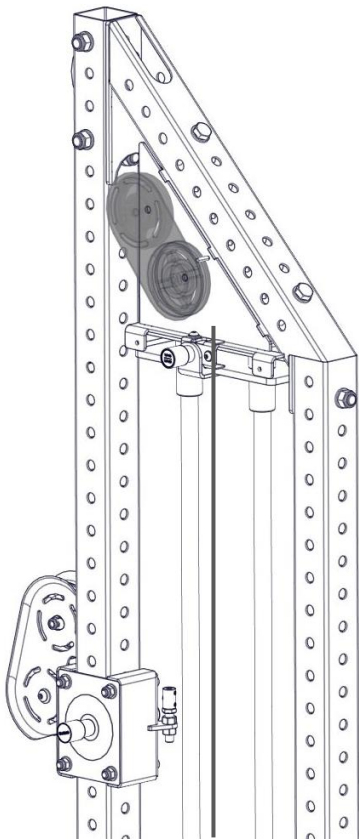
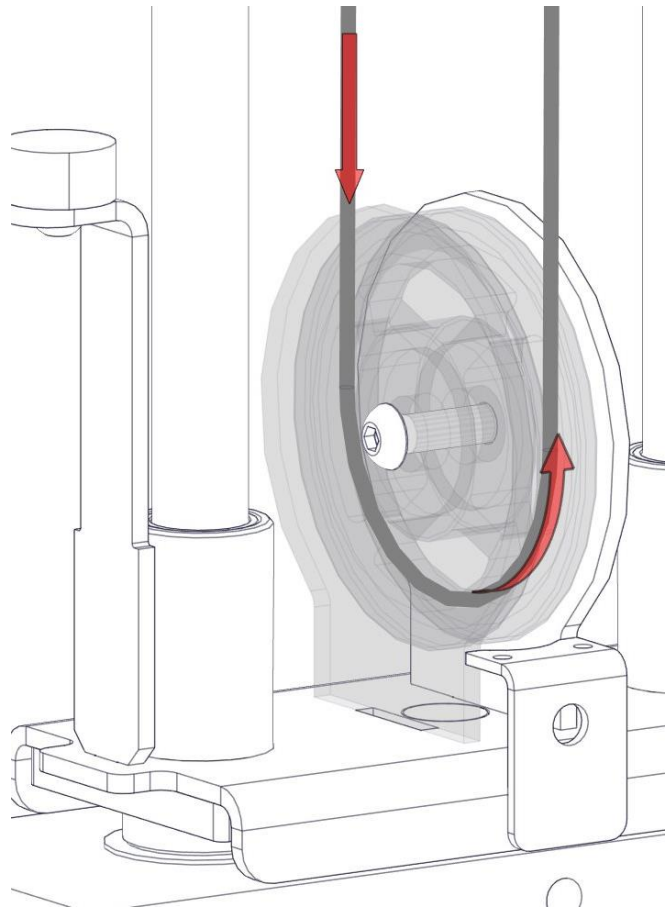
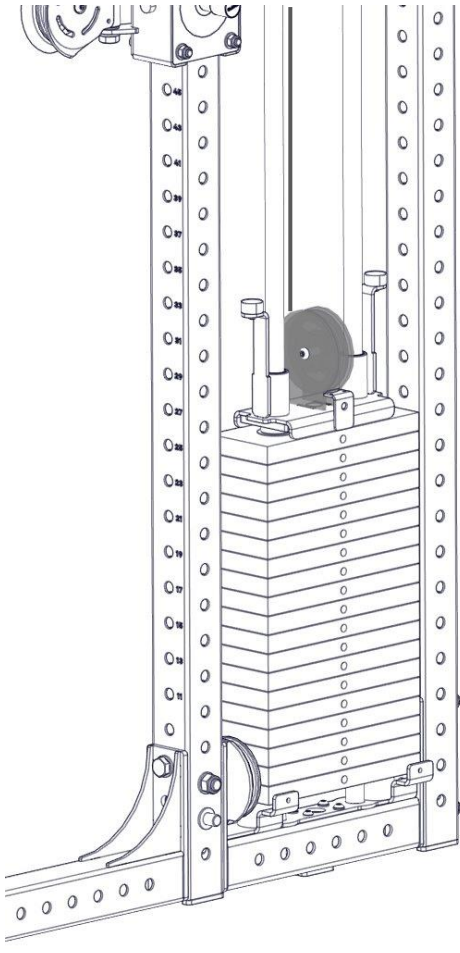


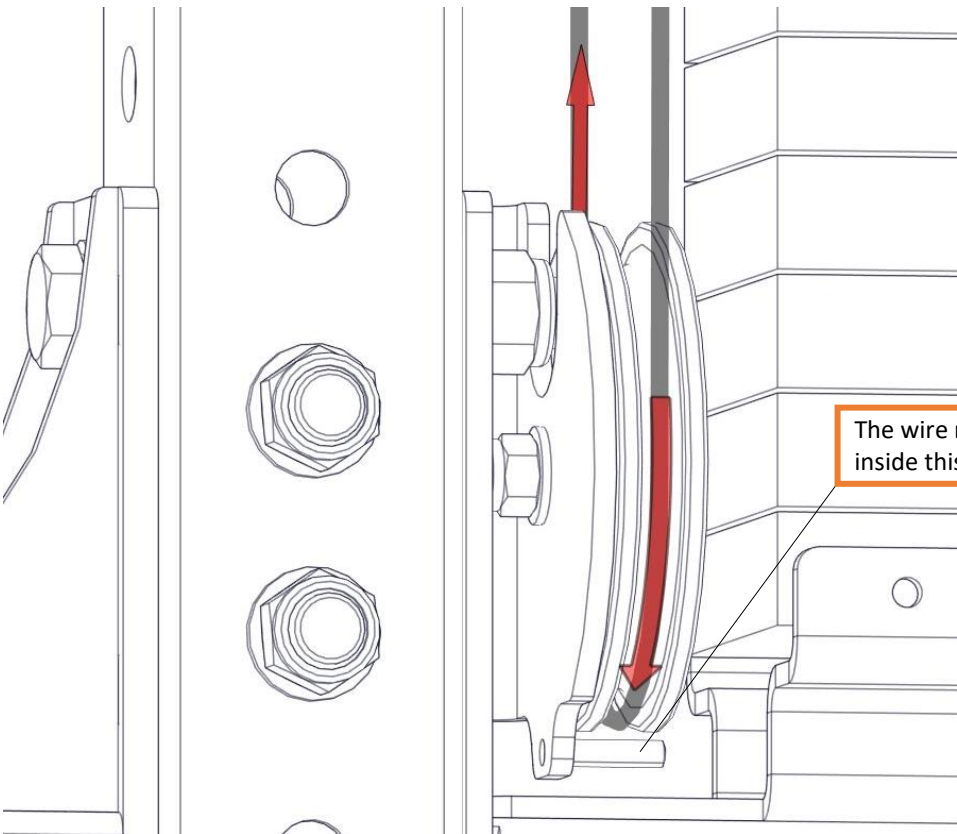
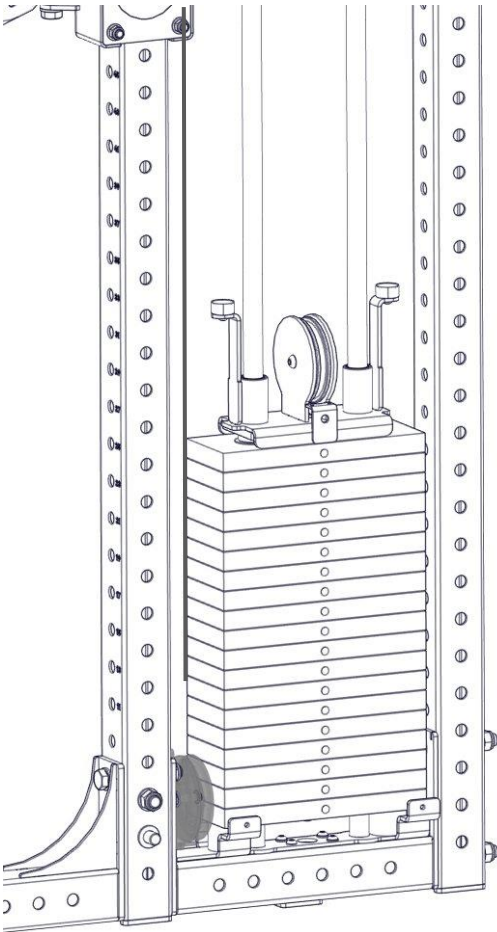
There are several different variants of this cable's installation as the **Pulley Wheels** and the **Weight Stack** can be mirrored!

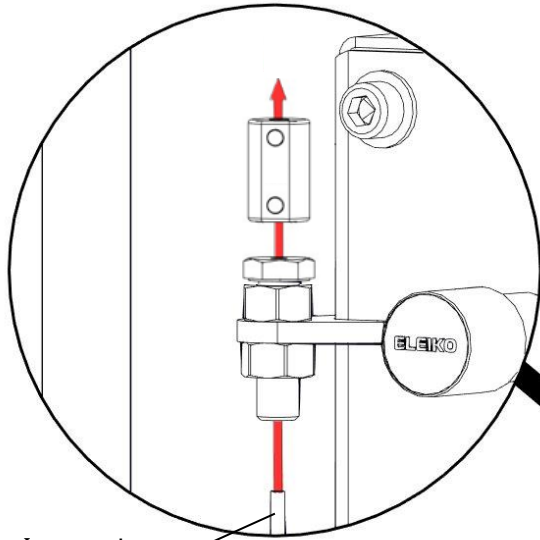
This does not affect how the installation is performed, but your device may look a little different.



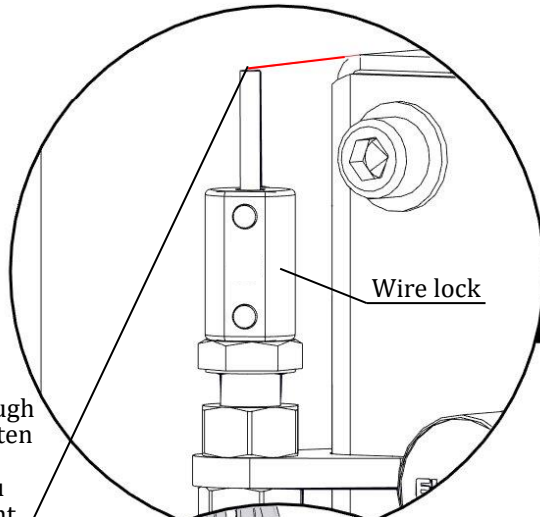






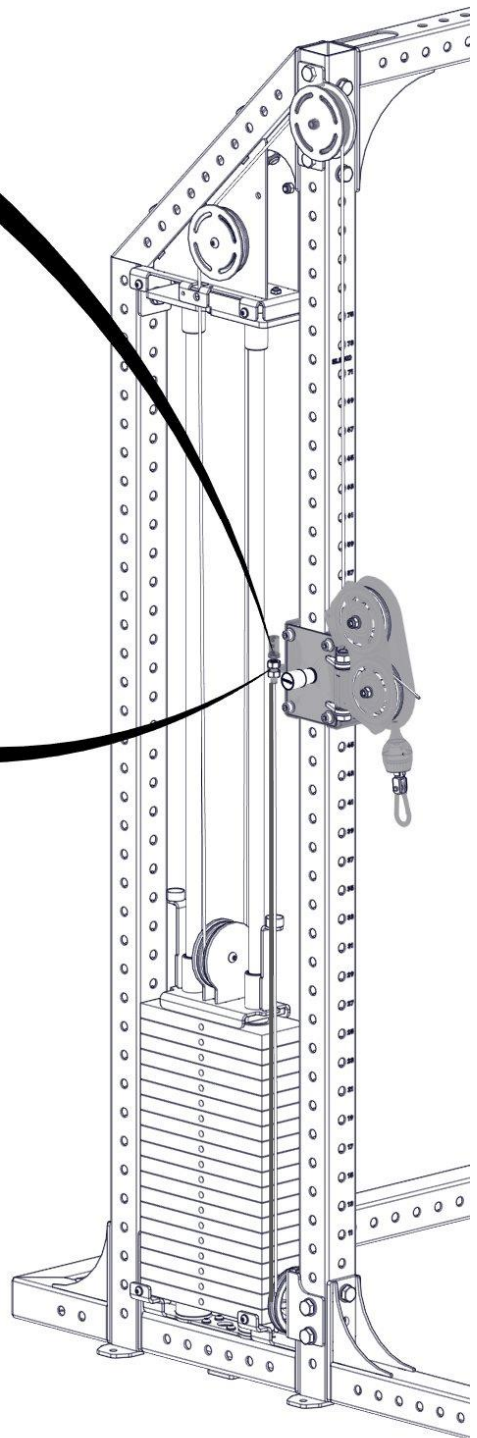
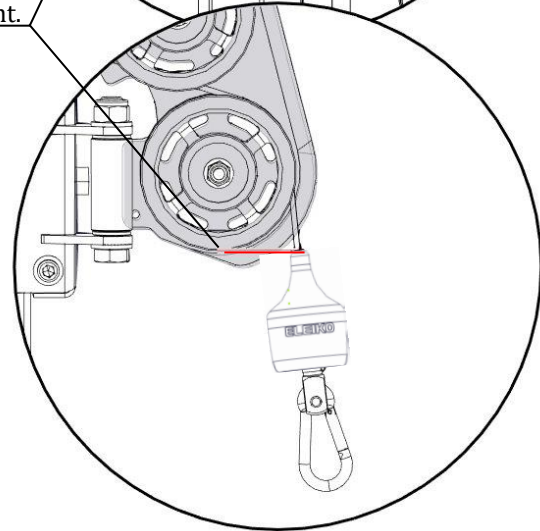


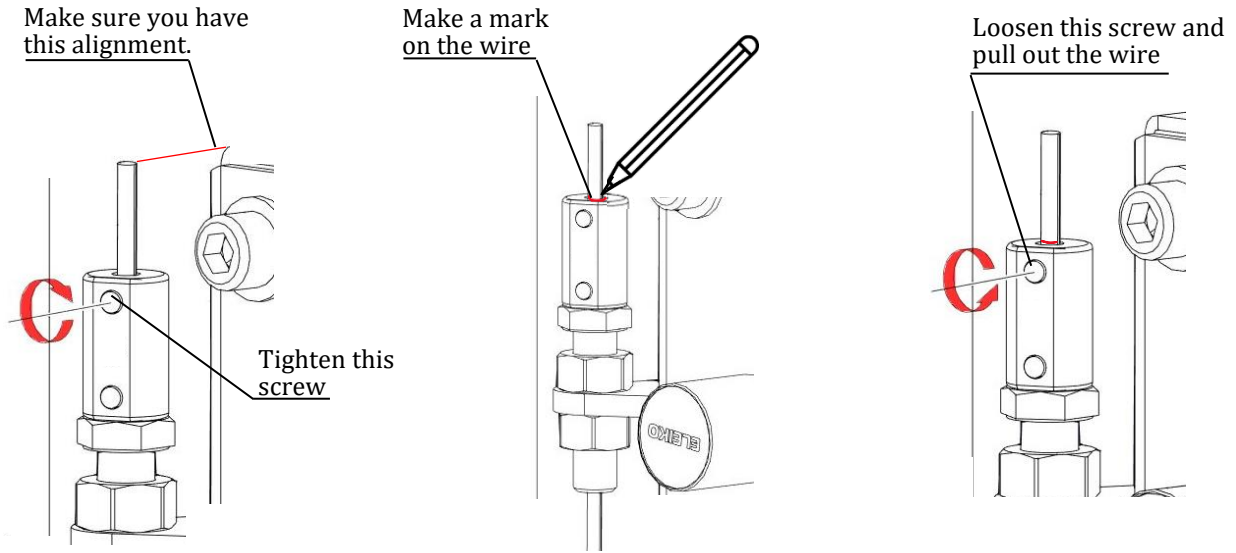
Insert wire



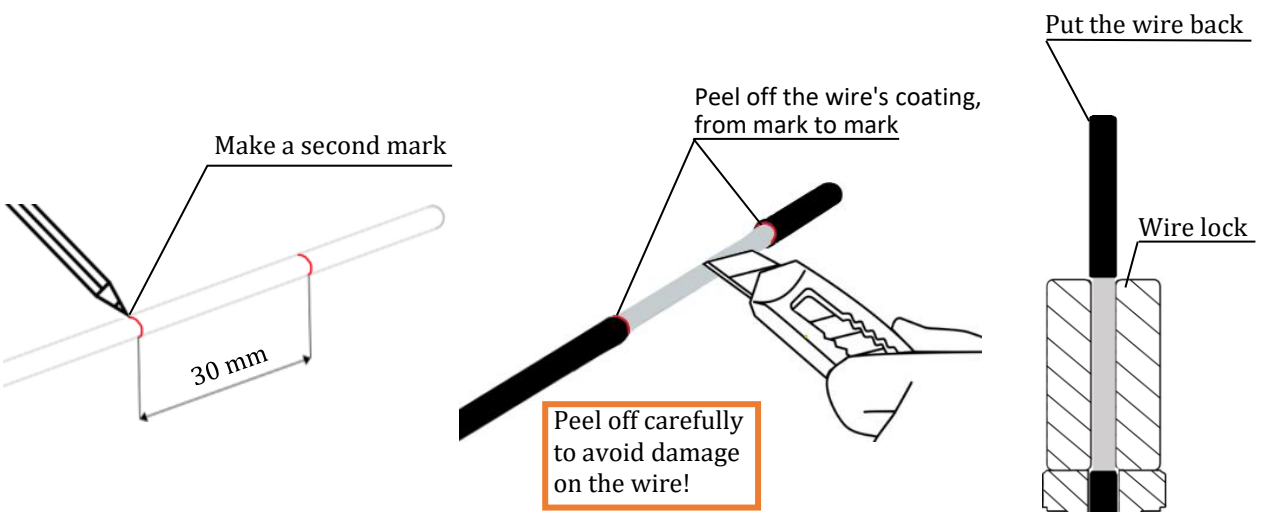
Wire lock

Pull the wire through the wire lock, tighten one screw and cut the wire when you have this alignment.

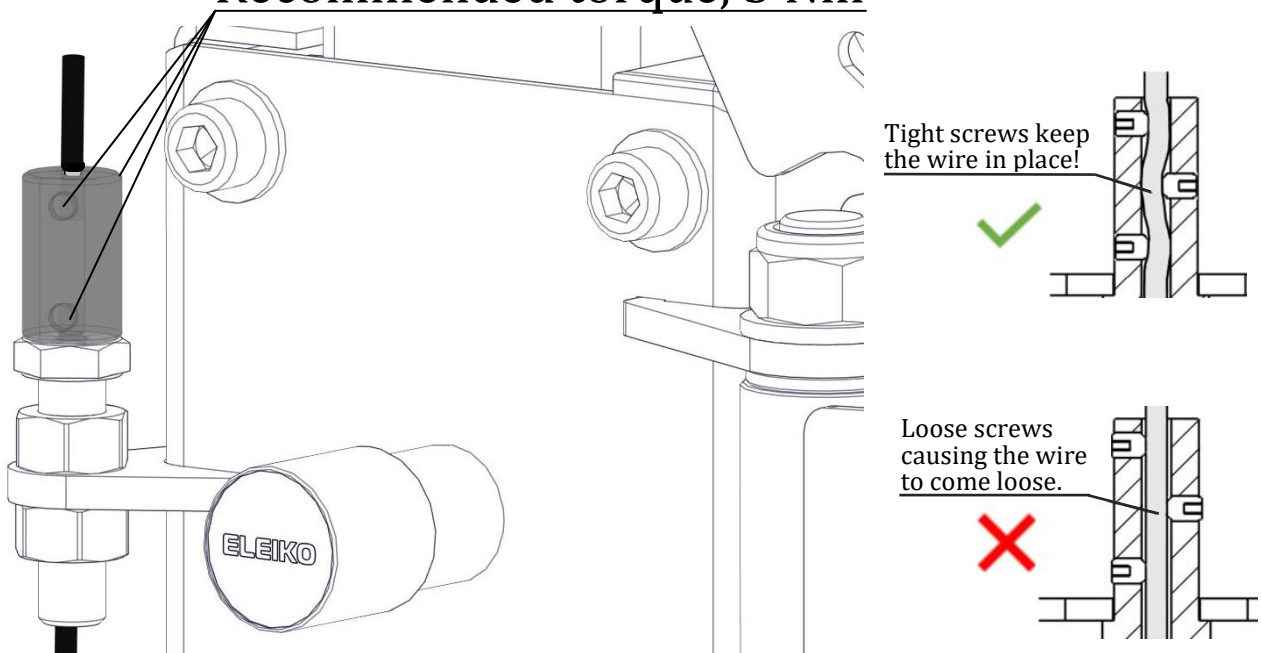


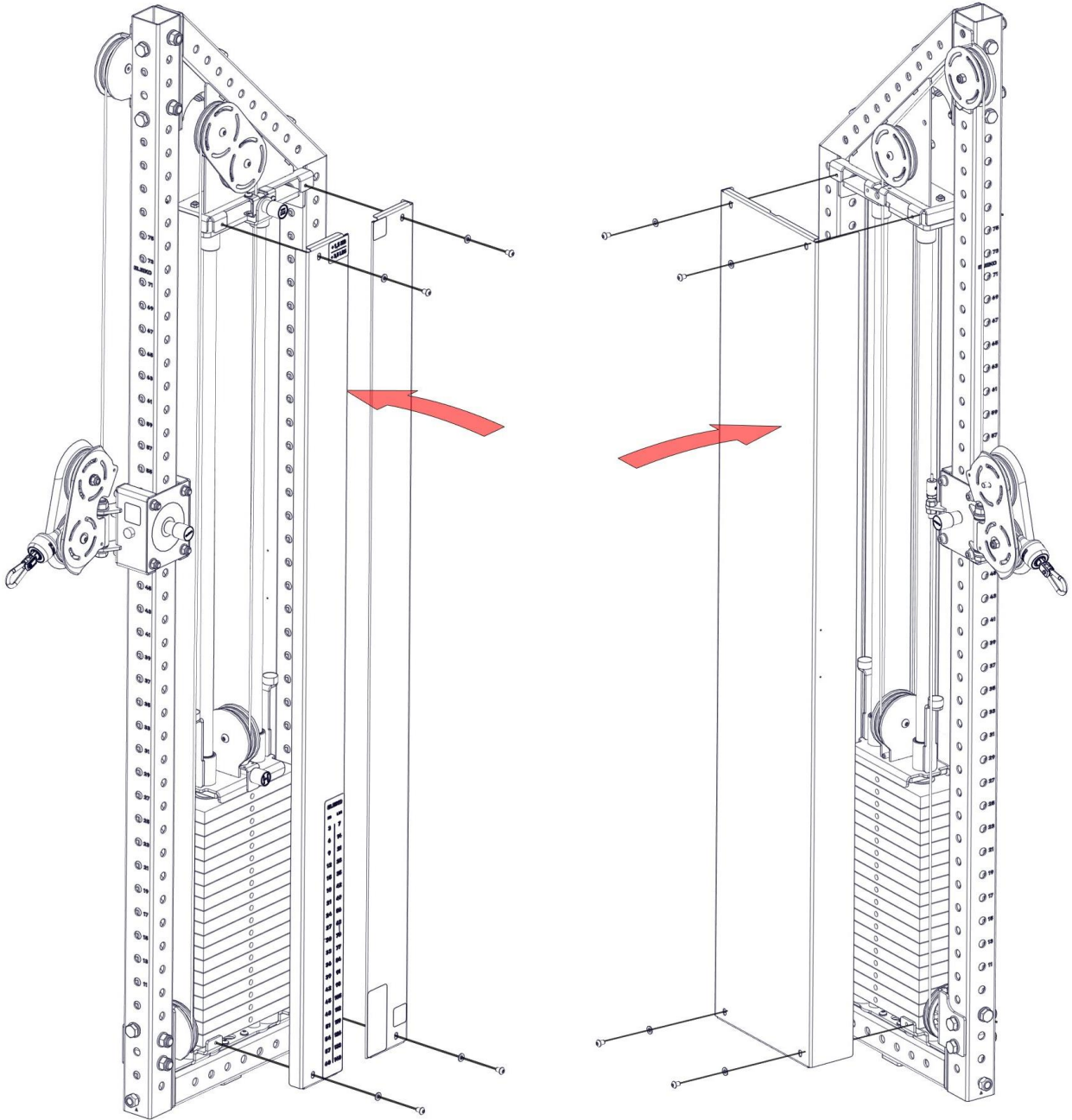


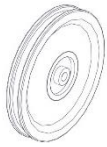
RAISE THE BAR



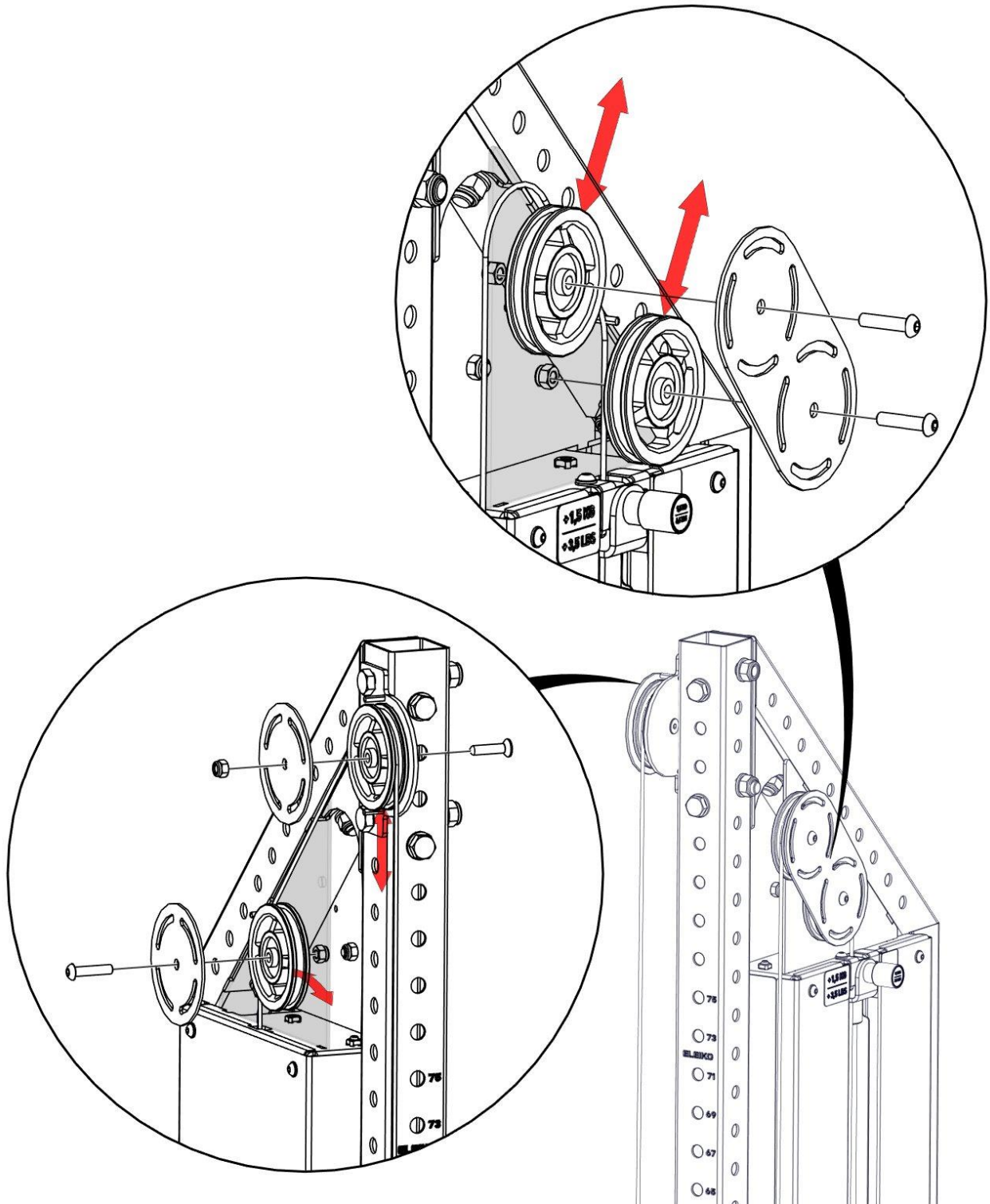
Tighten all three screws very firmly!
Recommended torque, 3 Nm



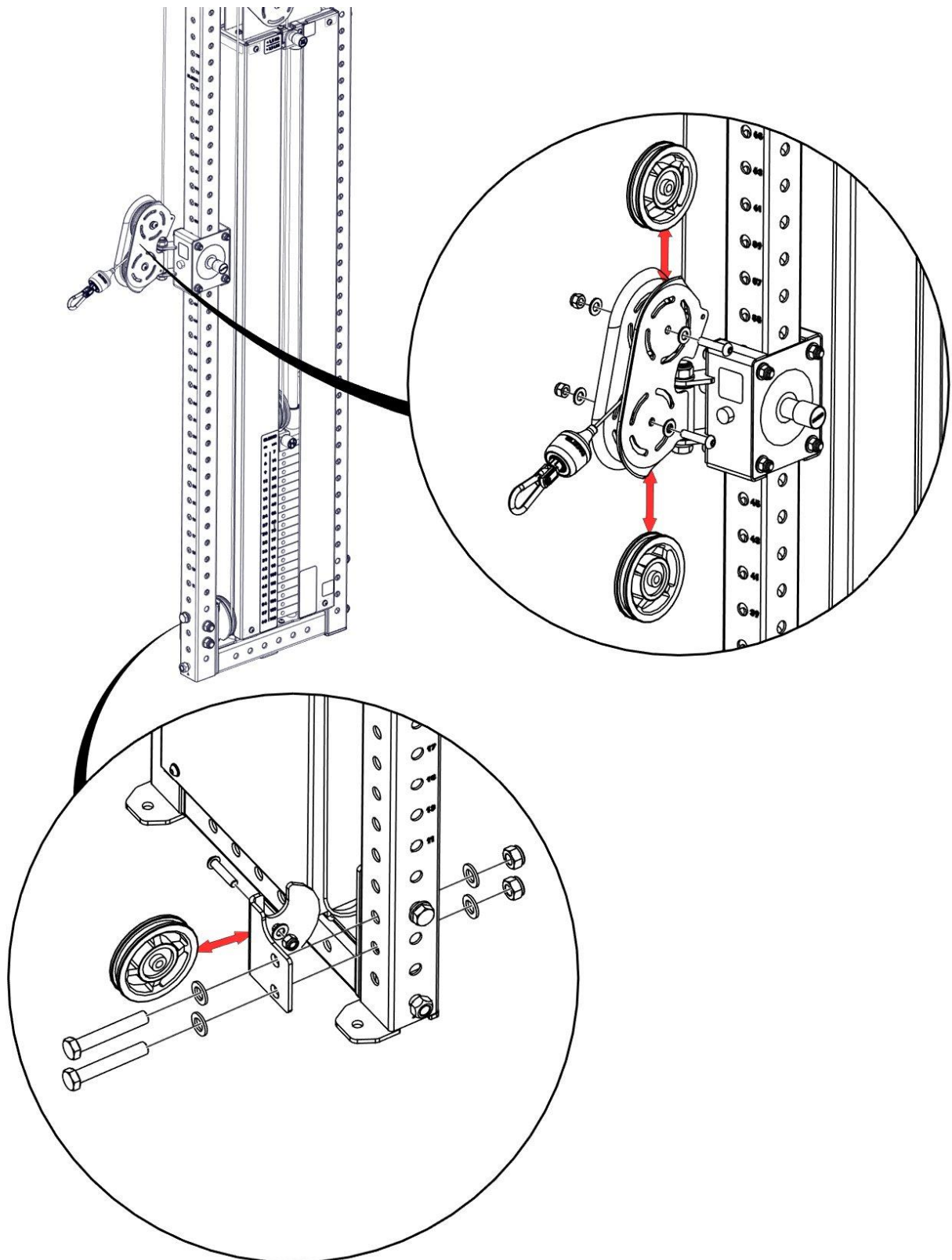




NOTE! You do not need to remove the cable to change any of the pulley wheels.

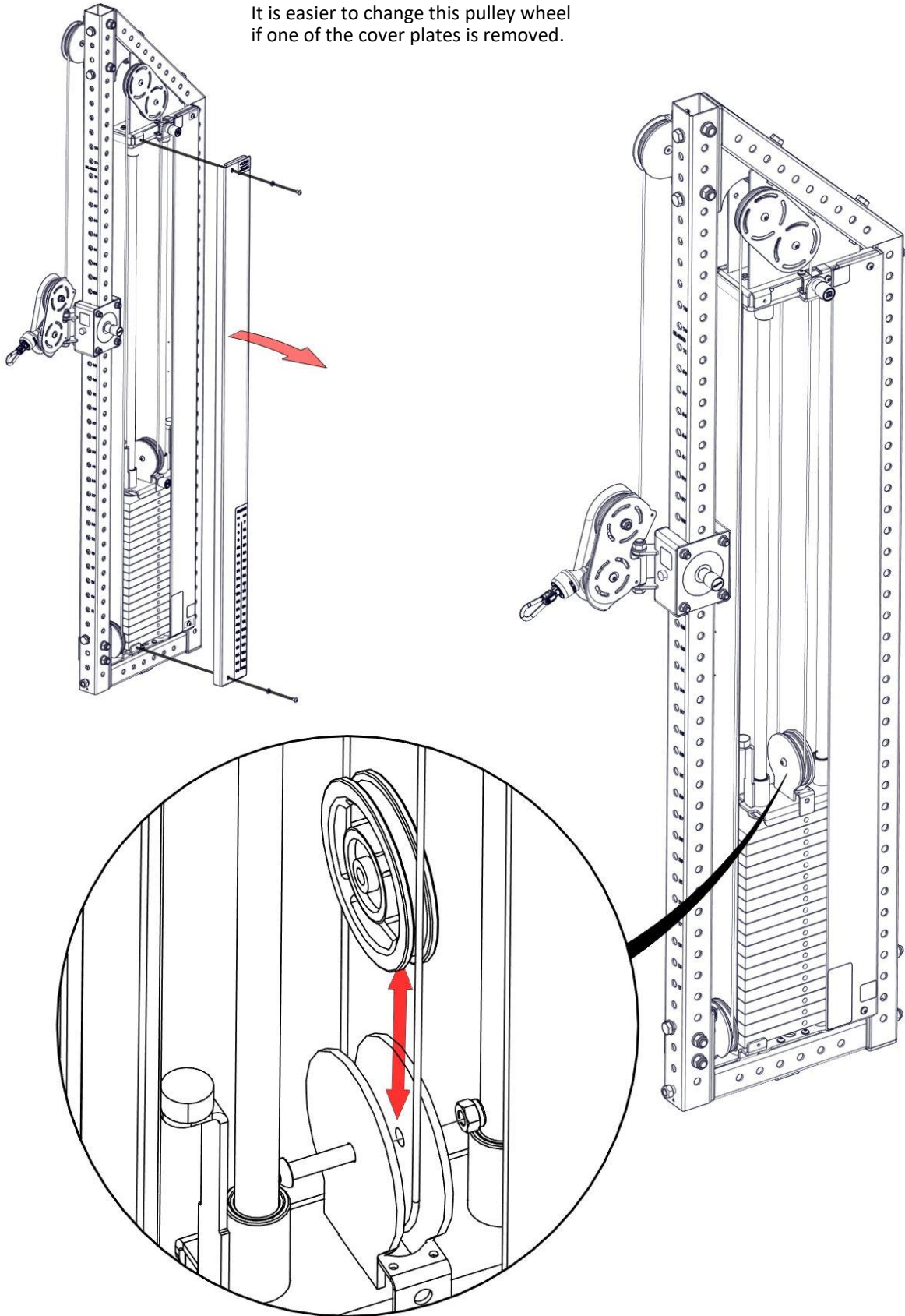


NOTE! You do not need to remove the cable to change any of the pulley wheels.

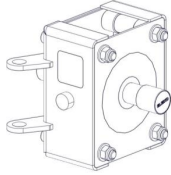


NOTE! You do not need to remove the cable to change any of the pulley wheels.

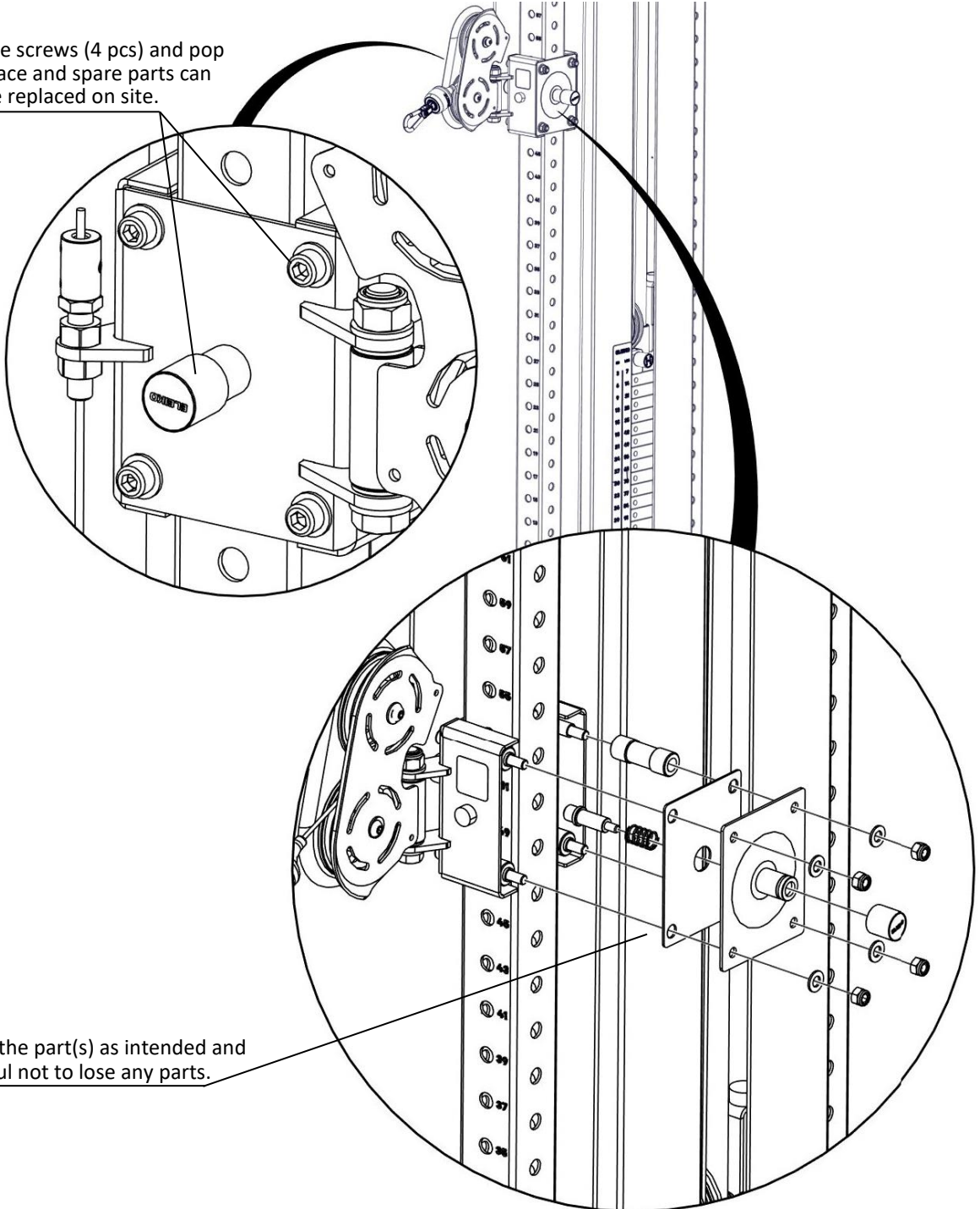
It is easier to change this pulley wheel if one of the cover plates is removed.



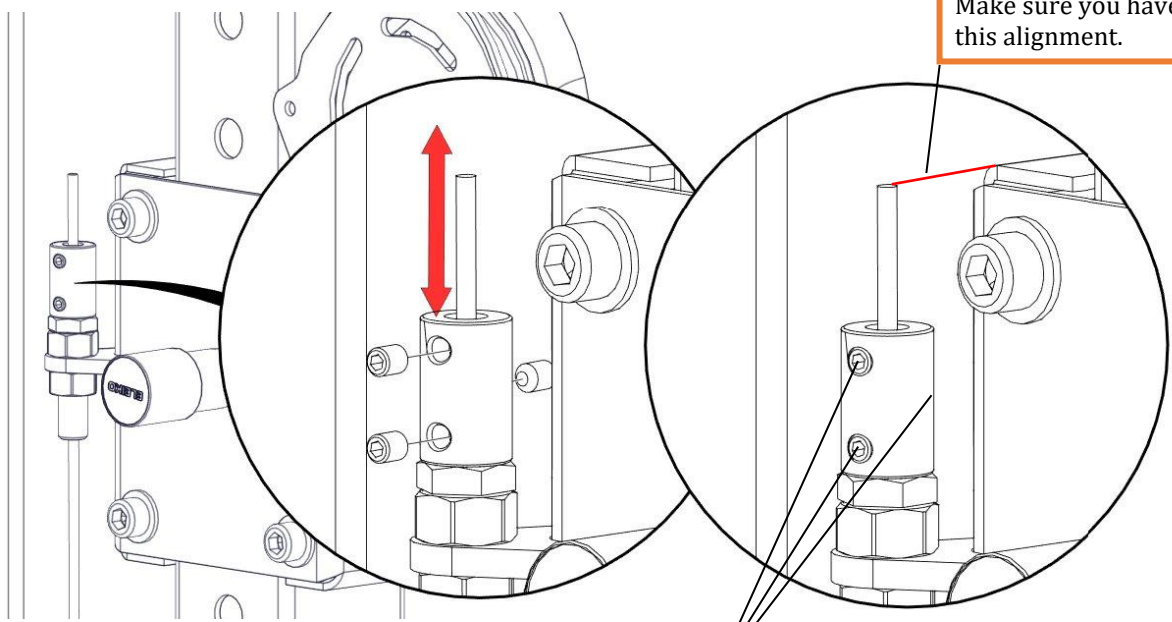
Put back the cover plate!



Leave the screws (4 pcs) and pop pin in place and spare parts can easily be replaced on site.

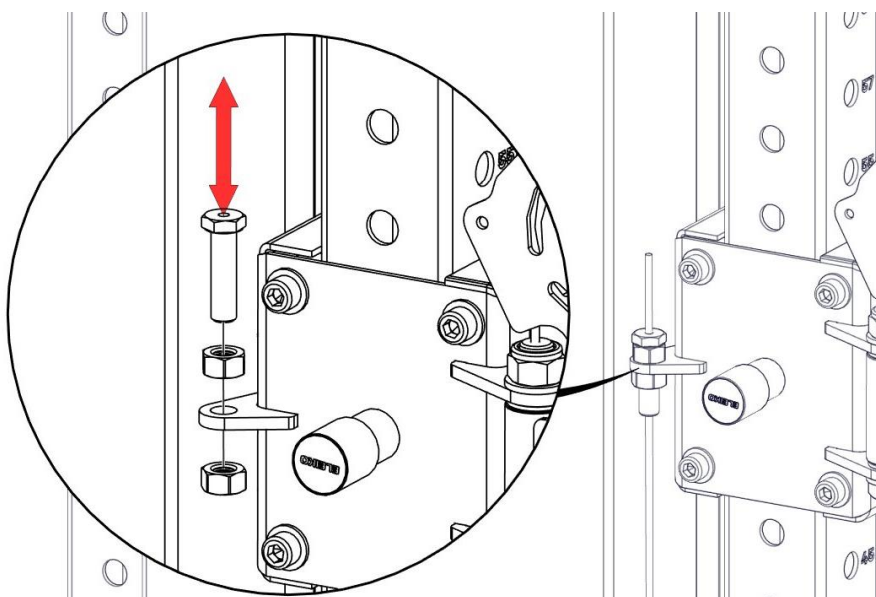
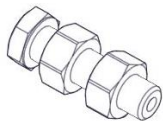


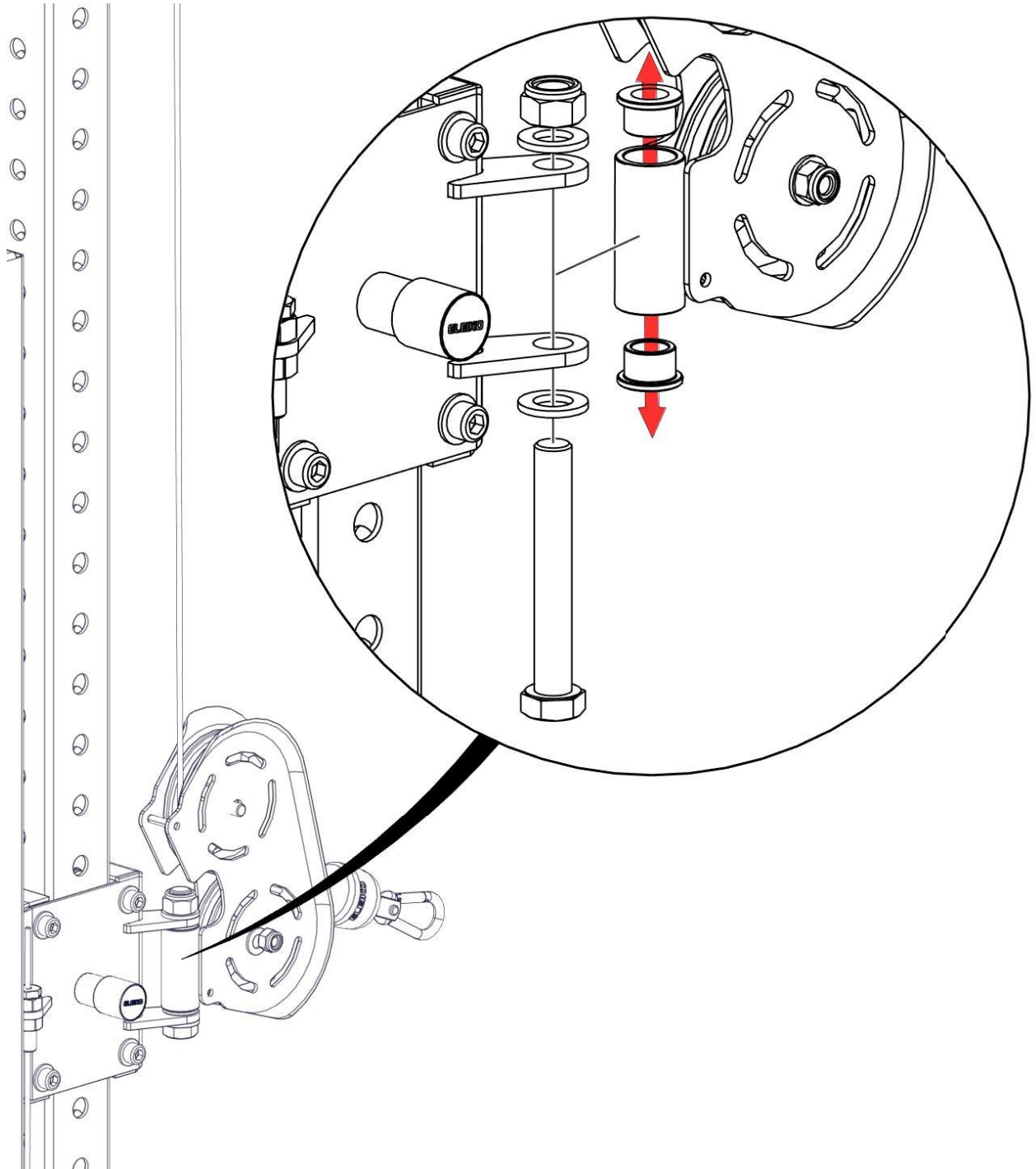
Replace the part(s) as intended and be careful not to lose any parts.



Make sure you have this alignment.

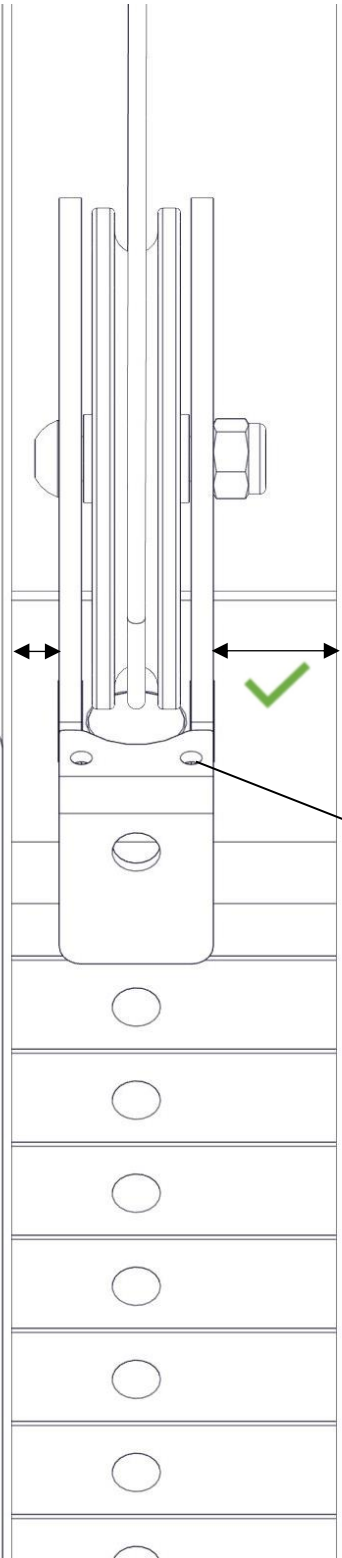
Tighten all three screws very firmly!
Recommended torque, 3 Nm





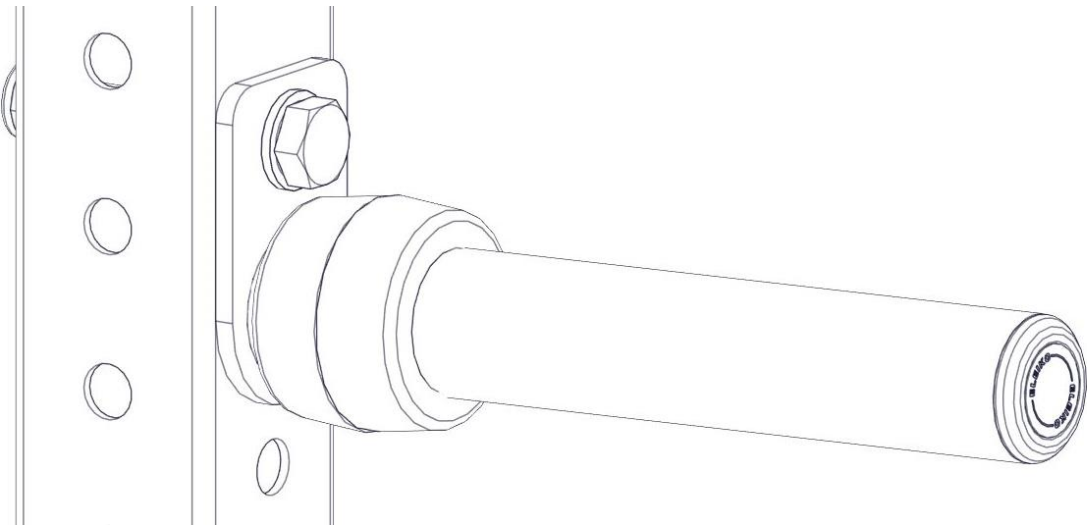
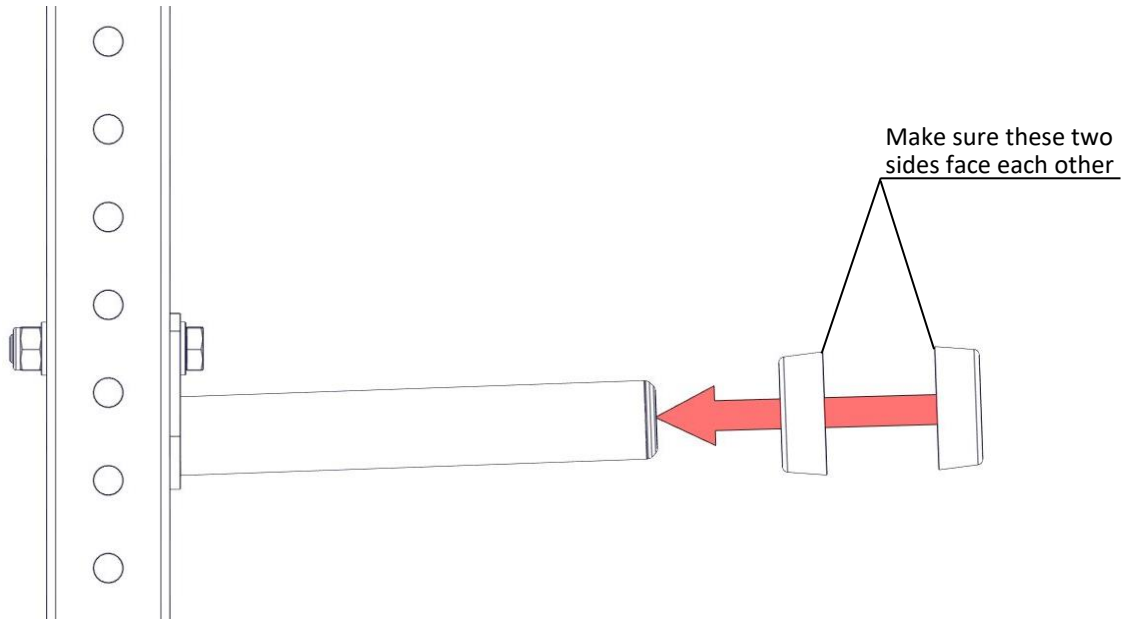
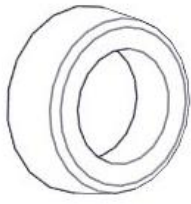


ELEIKO	
KG	LBS
3	7
6	14
9	21
12	28
15	35
18	42
21	49



Always fasten the selector pin to the hole with the greatest distance to the cover plate.

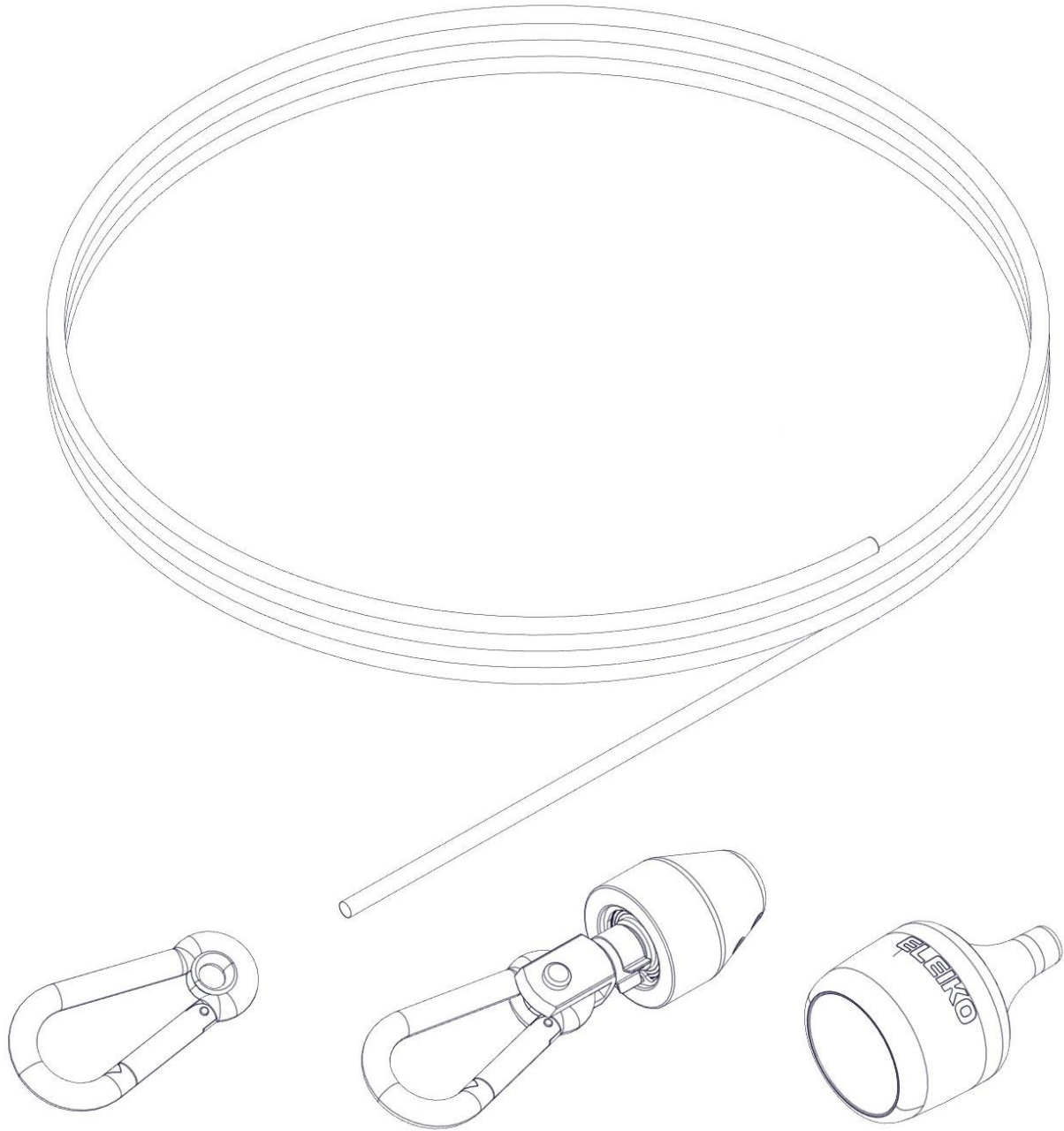





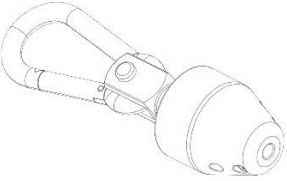

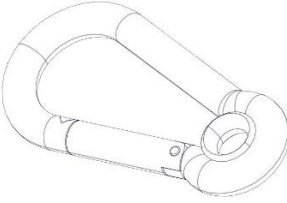
Art.no. 3065798, 3002075-L8200, 3002075-L9000, 2002290, 2002222, 2001839

Eleiko Cable

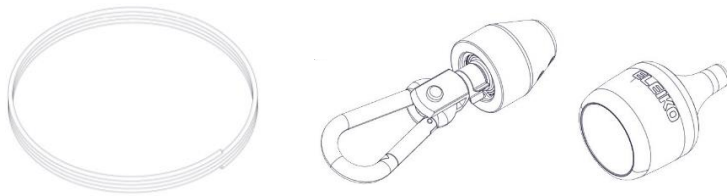
RAISE THE BAR



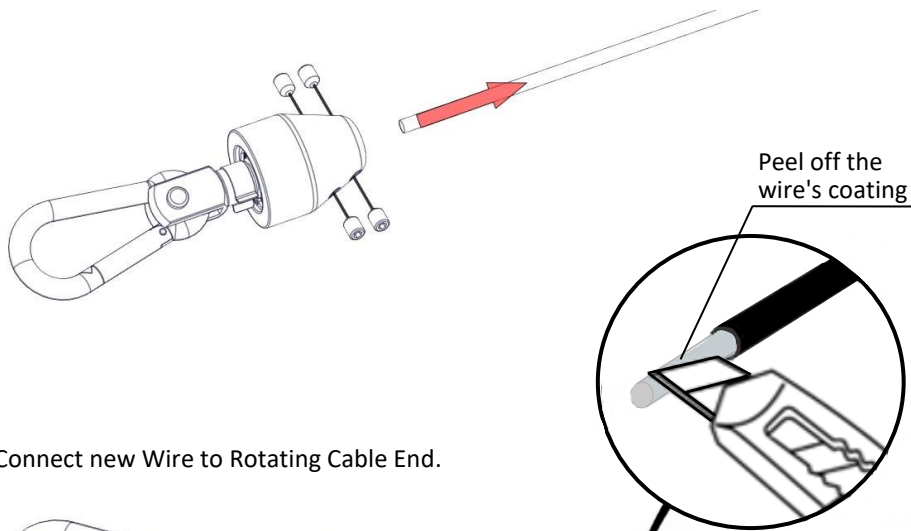
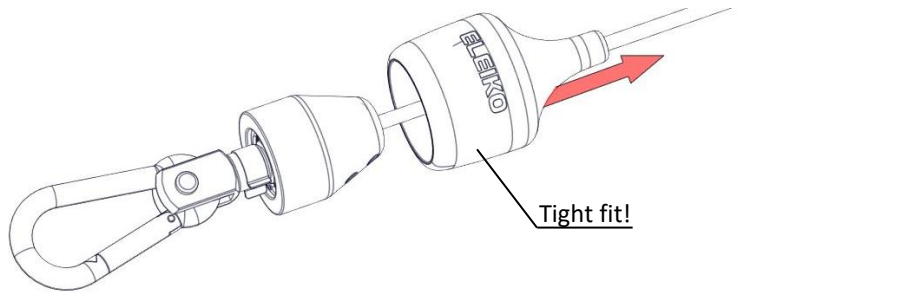
Spare parts list

	Name Art. Nr.	Specifications	Installation on page:
	Wire 3065798	4 m, $\varnothing = 4$ mm ($\varnothing = 5,2$ mm with coating)	49
	Wire 3002075-L8200	8,2 m, $\varnothing = 3,3$ mm ($\varnothing = 5$ mm with coating)	
	Wire Tall Rack 3002075-L9000	9 m , $\varnothing = 3,3$ mm ($\varnothing = 5$ mm with coating)	
	Rotating Cable End 2002290	-	49
	Rubber Coupler 2002222	-	49
	Carabiner	-	50

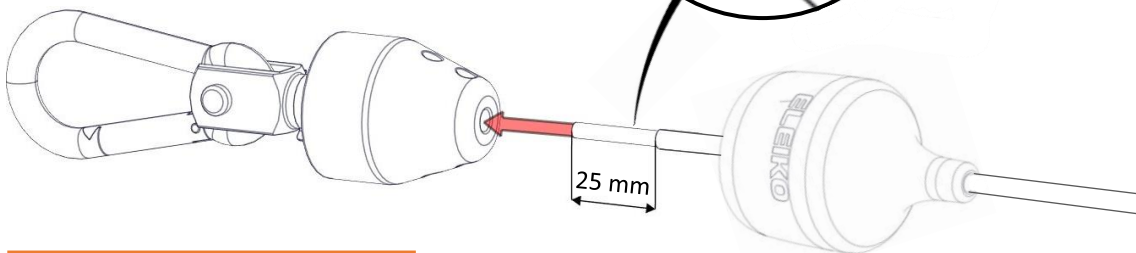
*Important that the correct wire is used. In case of the slightest uncertainty, go back to the guide on page 5.



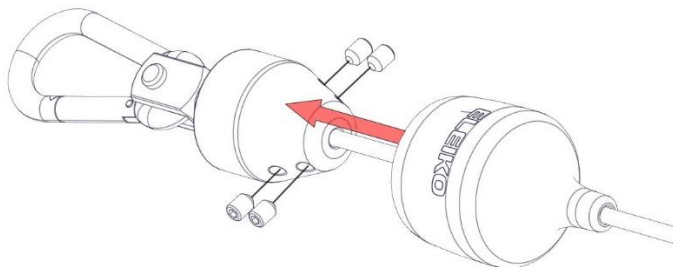
Change of Wire, Rotating Cable End and Rubber Coupler.



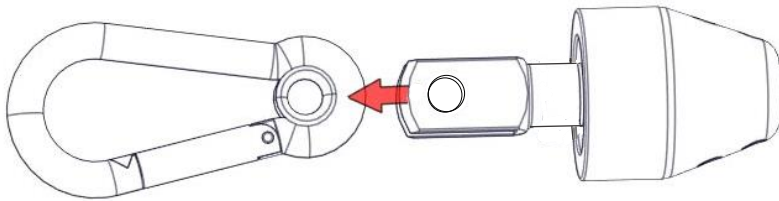
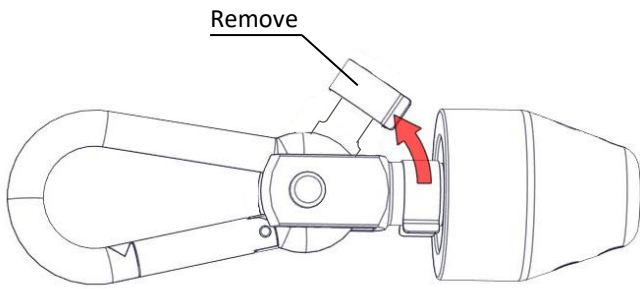
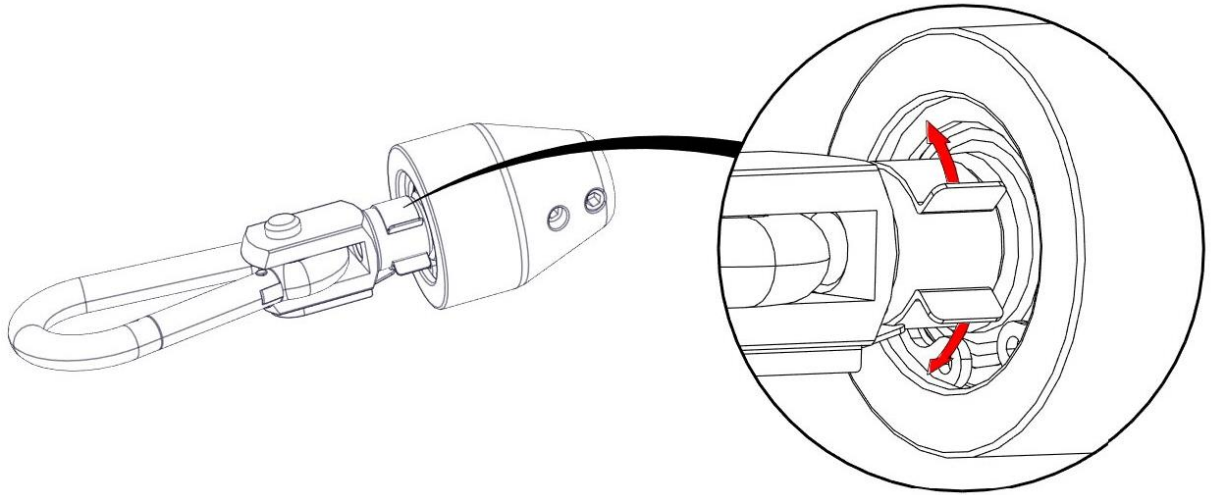
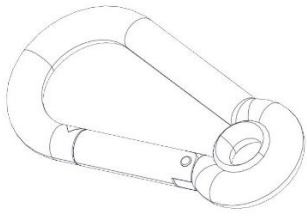
Connect new Wire to Rotating Cable End.



Tighten all four screws very firmly!
Recommended torque, 3 Nm



For instructions on how to then change the cable for each cable unit, go back to page 6.



RAISE THE BAR

ELEIKO

Eleiko Group AB
Klastorpsvägen 18
302 62 Halmstad
Sweden

+46 35 17 70 00
info@eleiko.com