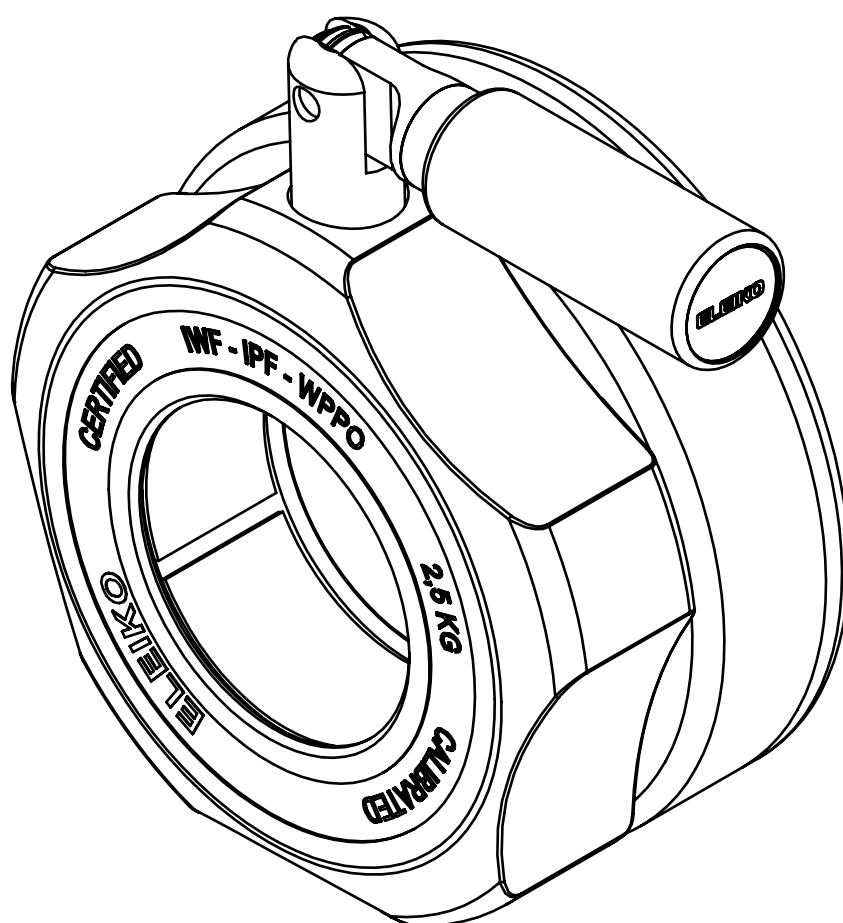


# ELEIKO COMPETITION COLLAR

Art.no. 3085701



**ELEIKO**

# CONTENTS

Read before installation and use	3
Safety instructions	3
List of components	4
Spare parts	4
Assembly instructions	5
User guide	6
Purpose	6
General instructions for use	6
Product specifications	6
Care and maintenance	7
Preventive maintenance and inspections	7
Service	7
Warranty	7

# READ BEFORE INSTALLATION AND USE

Use this equipment in a place where access and supervision are specifically controlled by the owner.

This equipment is intended for indoor use only.

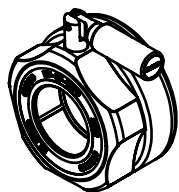
## SAFETY INSTRUCTIONS

It is the responsibility of the purchaser of ELEIKO products to instruct all users and supervising personnel on proper usage of the equipment.

1. Only use the equipment as it is intended.
2. A user **MUST** get a medical examination and proper instructions before using any Eleiko equipment.
3. **DO NOT** let anyone, under any circumstances, use equipment that appears to be damaged. Do not try to repair any equipment before consulting an Eleiko technician.
4. **DO NOT** replace components of Eleiko equipment with other, none Eleiko, equipment (magnetic safety pin, frames, bars etc.). Do not improvise! If there are any doubts, consult an Eleiko representative prior to any intervention.
5. **DO NOT** overload the equipment and **DO NOT** try to exceed personal strength levels.
6. Children under the age of 14 must be supervised by an adult.
7. **DO NOT** remove any safety labels from the Eleiko equipment. Eleiko is not responsible if a label is removed. Replace damaged labels immediately.

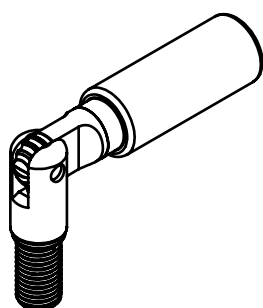
# LIST OF COMPONENTS

2x



3085701  
Eleiko Collar Competition 2,5 KG, Pair

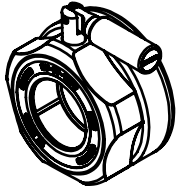
## SPARE PARTS



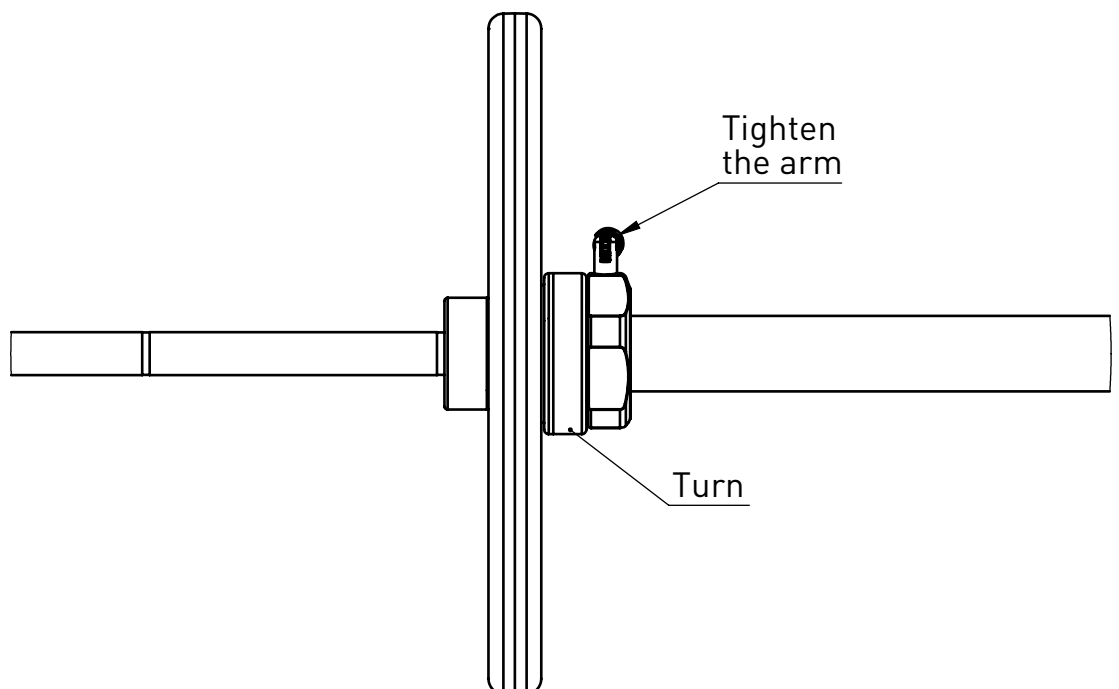
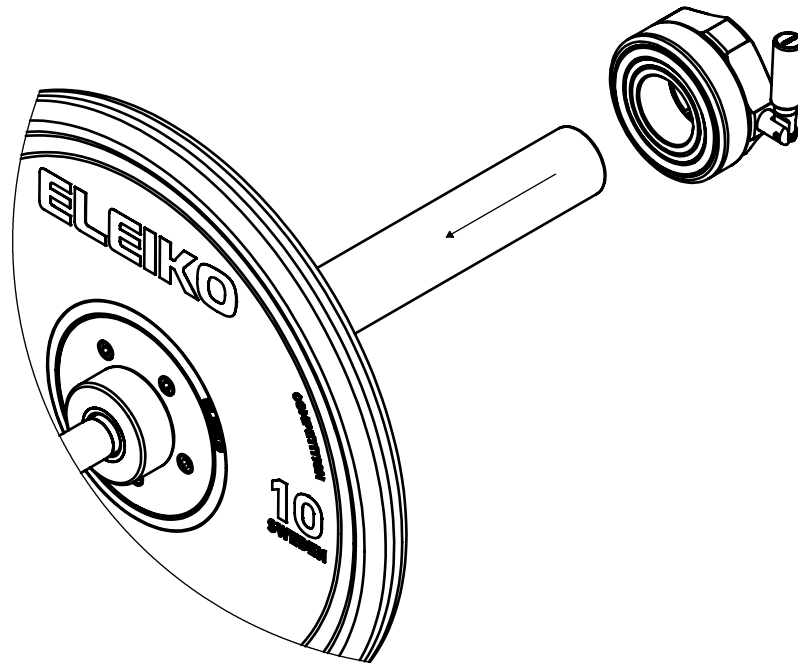
3085704  
Pin Eleiko Collar

# ASSEMBLY INSTRUCTIONS

2x



3085701  
Eleiko Collar Competition 2,5 KG, Pair



# USER GUIDE

## PURPOSE

Eleiko Competition Collar intended use is to keep weights on the bar during a lift.

## GENERAL INSTRUCTIONS FOR USE

1. Place the collar on the barbell, outside the weights, make sure the rubber part on collar is in contact with disc.
2. Tighten the Pin
3. Turn the collar part close to the weight to get rid of gap
4. After lift, untighten the Pin
5. Remove Collar and weights

## PRODUCT SPECIFICATION

Product weight	2,5kg / 5,51 lbs
Dimensions (L x W x H)	110 x 110 x 60 mm 4,4 x 4,4 x 2,4"

# CARE AND MAINTENANCE

## PREVENTIVE MAINTENANCE AND INSPECTIONS

NOTE: The safety level of the equipment can only be maintained if it is examined regularly for damage and wear.

### Regularly:

- Clean surfaces on the product.
- Check equipment for sharp edges. Replace parts with sharp edges.

### Cleaning and Care:

- Apply a mild soap detergent to a lint free cloth, then wipe down product surface.

See also [www.eleiko.com](http://www.eleiko.com).

## SPARE PARTS AND SERVICE

Contact Eleiko for spare parts and service:

Eleiko Group AB | Klastorpsvägen 18 | SE-302 62 HALMSTAD | Sweden  
E-mail: [info@eleiko.com](mailto:info@eleiko.com) | Phone: +46 35 17 70 70  
[www.eleiko.com](http://www.eleiko.com)

## WARRANTY

All products manufactured by ELEIKO are warranted to the original purchaser to be free from defects in workmanship and / or materials under normal use or service as follows:

- 10 years

Normal wear and tear do not fall under the warranty.

# ELEIKO

Eleiko Group AB | Klastorpsvägen 18 | SE-302 62 HALMSTAD | Sweden  
E-mail: [info@eleiko.com](mailto:info@eleiko.com) | Phone: +46 35 17 70 70

[www.eleiko.com](http://www.eleiko.com)

rev. 2024-05-07