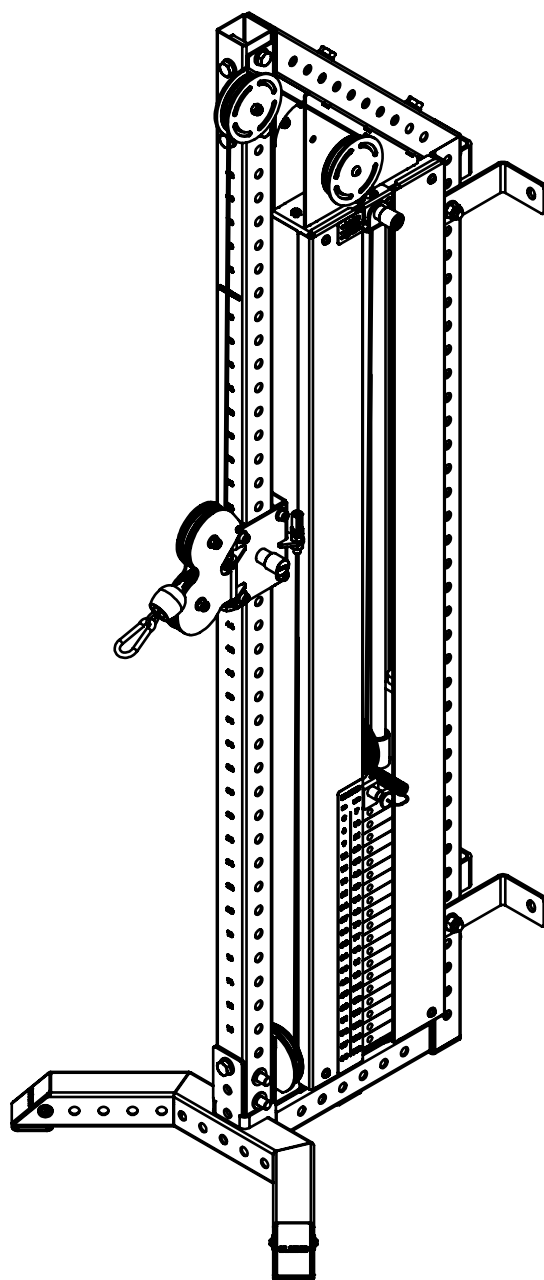


ELEIKO CABLE SINGLE STATION

Art.no. 3085849



ELEIKO

CONTENTS

Read before installation and use	4
Safety instructions	4
Warning labels	5
List of components	6
Assembly instructions	9
Tools needed	9
User guide	64
Purpose	64
General instructions for use	64
Product specifications	64
Care and maintenance	65
Preventive maintenance and inspections	65
Spare parts and service	65
Warranty	65

NOTE! YOU WILL ONLY NEED TO USE THIS MANUAL!
YOU WILL NOT NEED THE MANUAL THAT CAME IN THE WOODEN BOX
TOGETHER WITH THE CABLE ATTACHMENT!

READ BEFORE INSTALLATION AND USE

Install and use this equipment in a place where access and supervision are specifically controlled by the owner.

Be sure to install the equipment on a stable base and level the equipment properly. Eleiko recommends that all equipment is installed by a licensed contractor or an Eleiko installer.

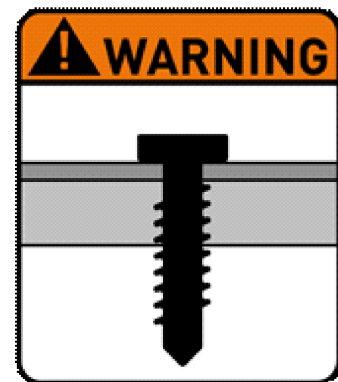
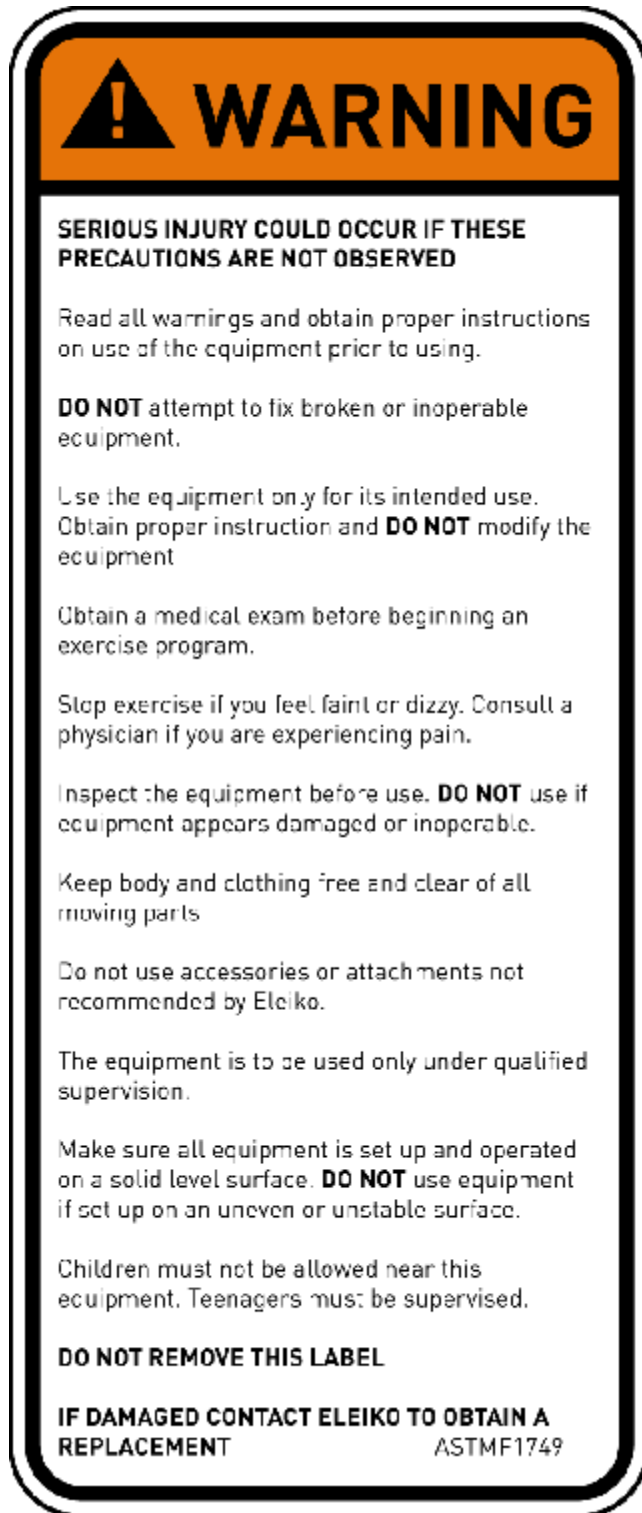
This equipment is intended for indoor use only.

SAFETY INSTRUCTIONS

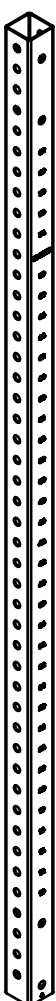
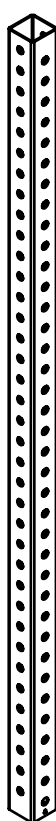
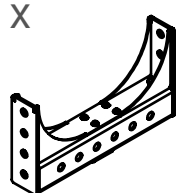
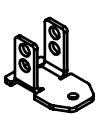
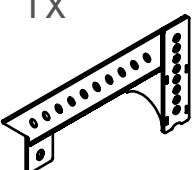
It is the responsibility of the purchaser of ELEIKO products to instruct all users and supervising personnel on proper usage of the equipment. It is also the responsibility of the purchaser of ELEIKO products to assess the suitability of the floor, and to choose appropriate fasteners depending on floor type when using ELEIKO products that needs to be bolted to the ground.

1. All included warnings (labels) and instructions MUST be read before the use of any Eleiko equipment. Only use the equipment as it is intended.
2. A user MUST get a medical examination and proper instructions before using any Eleiko equipment.
3. DO NOT let anyone, under any circumstances, use equipment that appears to be damaged. Do not try to repair any equipment before consulting an Eleiko technician.
4. DO NOT replace components of Eleiko equipment with other, none Eleiko, equipment (magnetic safety pin, frames, bars etc.). Do not improvise! If there are any doubts, consult an Eleiko representative prior to any intervention.
5. DO NOT overload the equipment and DO NOT try to exceed personal strength levels.
6. Children under the age of 14 must be supervised by an adult.
7. DO NOT remove any safety labels from the Eleiko equipment. Eleiko is not responsible if a label is removed. Replace damaged labels immediately.
8. Eleiko packaging for products can be made of wood. Be aware of splinters! You MUST use protective gloves and proper work wear.
9. Eleiko packaging material could be a risk when handling. Be aware of crushing! You MUST use work wear including protective gloves and hard shoes.
10. Eleiko products and packing material are heavy, You MUST use proper lifting techniques, work wear and hard shoes.

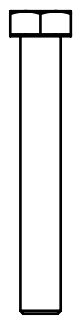
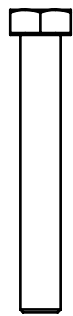
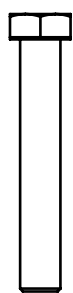

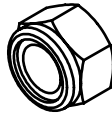
WARNING LABELS



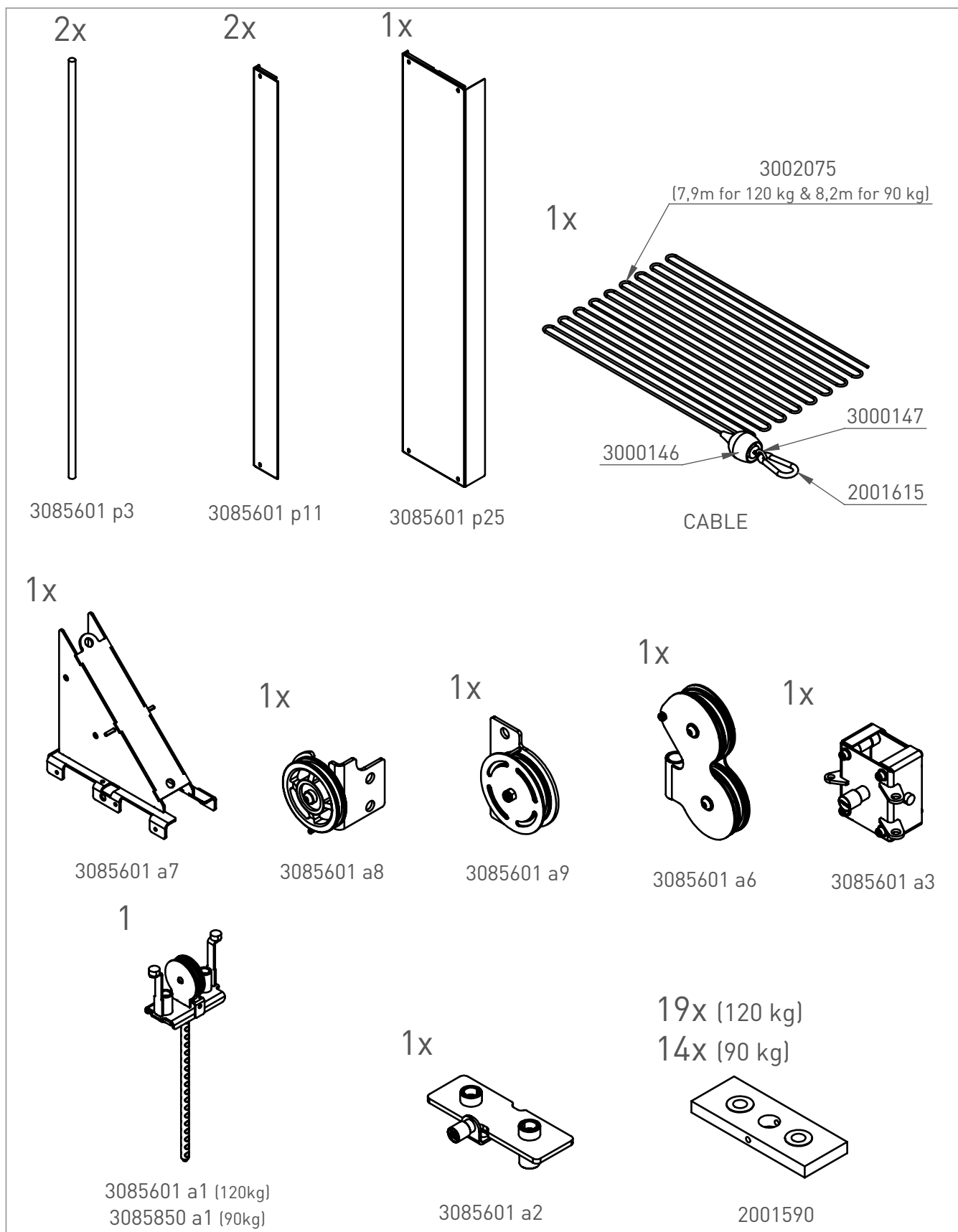
LIST OF COMPONENTS

<p>1x</p>  <p>2001845</p>	<p>1x</p>  <p>2001320</p>	<p>1x</p>  <p>2001592</p>	<p>1x</p>  <p>2001373</p>
<p>1x</p>  <p>2001299</p>			

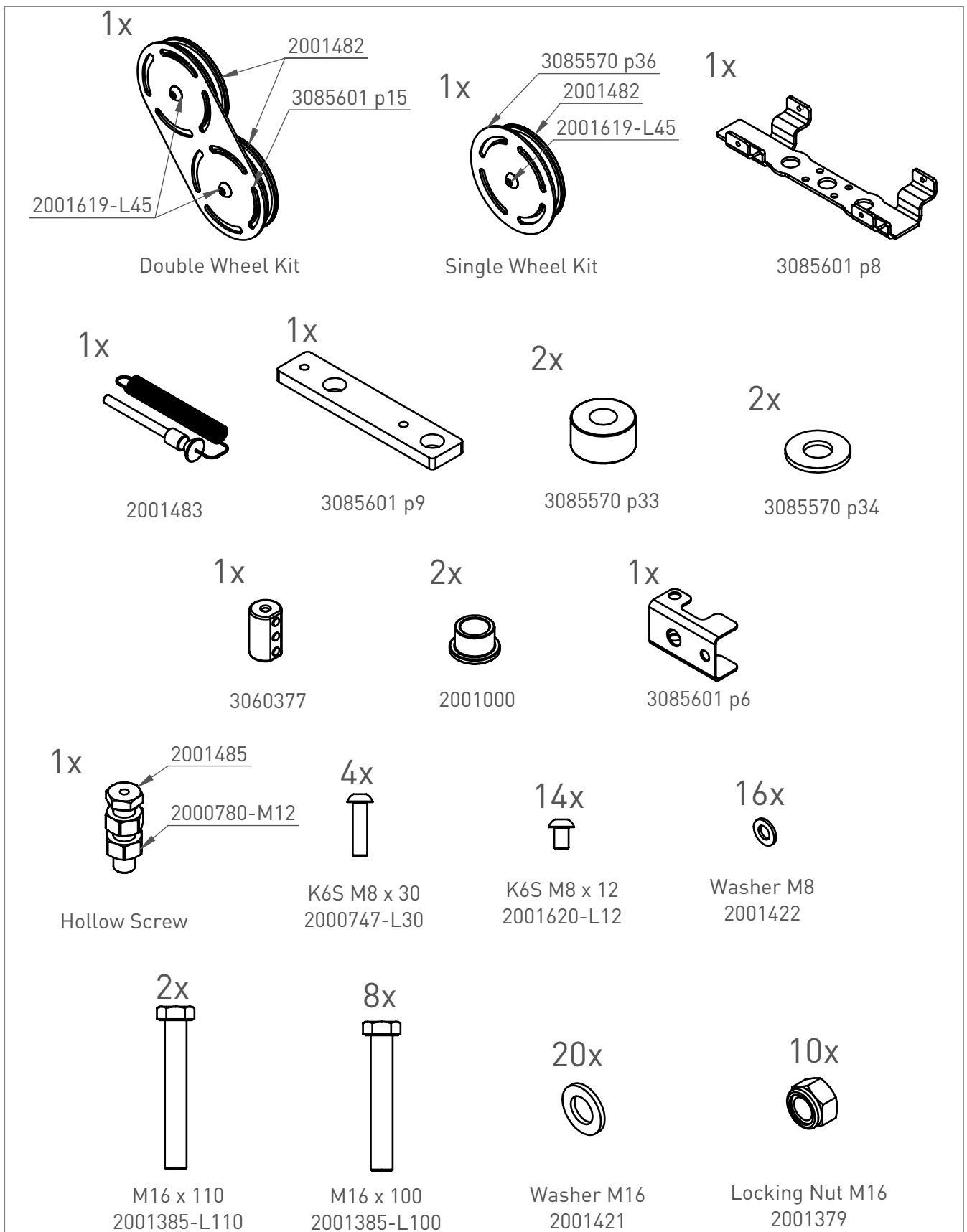
Screw Kit 2001953

<p>1x</p>  <p>M16x120 2001385-120</p>	<p>1x</p>  <p>M16x110 2001385-L110</p>	<p>9x</p>  <p>M16x100 2001385-L100</p>	<p>22x</p>  <p>Washer M16 2001421</p>	<p>11x</p>  <p>Locking Nut M16 2001379</p>
--	---	---	--	---

LIST OF COMPONENTS



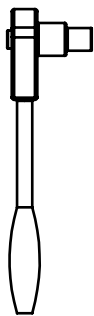
LIST OF COMPONENTS



ASSEMBLY INSTRUCTIONS

TOOLS NEEDED

You need the following tools to assemble the equipment.



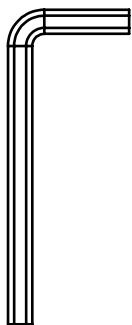
Socket Wrench Size 24mm



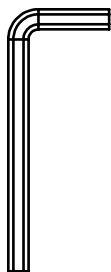
Wrench Size 24mm



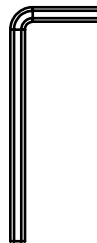
Wrench Size 17mm



Allen Key Size 8



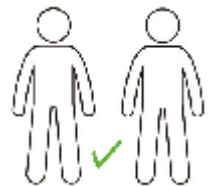
Allen Key Size 6



Allen Key Size 5



Allen Key Size 4

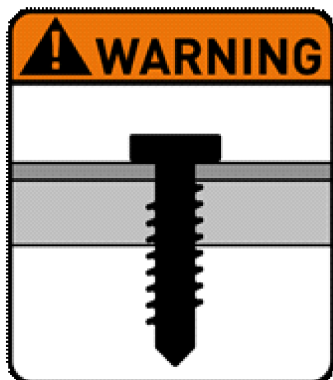


NOTE: Do not use electric power tools for assembly.

BOLT TO GROUND

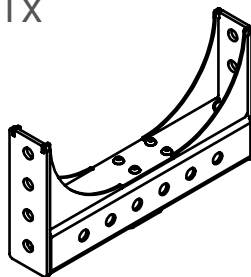
Eleiko recommends that this product should be bolted to the ground. Make sure the ground is solid and level. Consult a licensed contractor to choose the appropriate anchoring fasteners for your facility.

See assembly instructions for the position of the anchoring points.



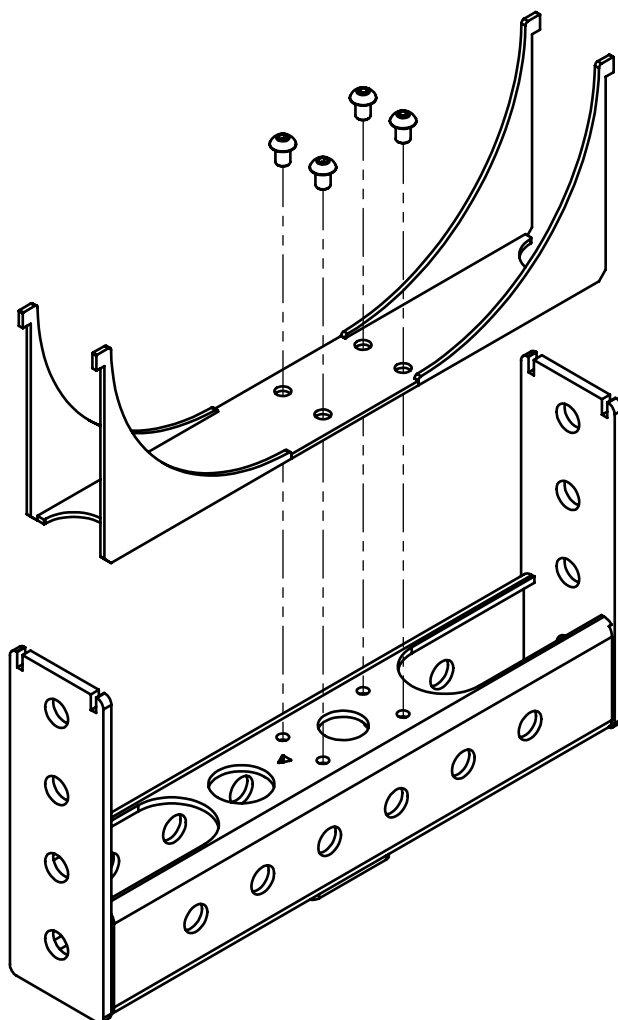
1.

1x



2001592

Remove screws and plate from floor beam!
You will not need these parts!



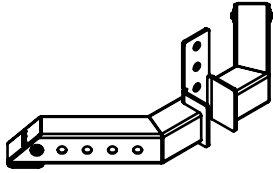
2.

1x



2001845

1x



2001946

1x



M16x110

1x



M16x120

4x

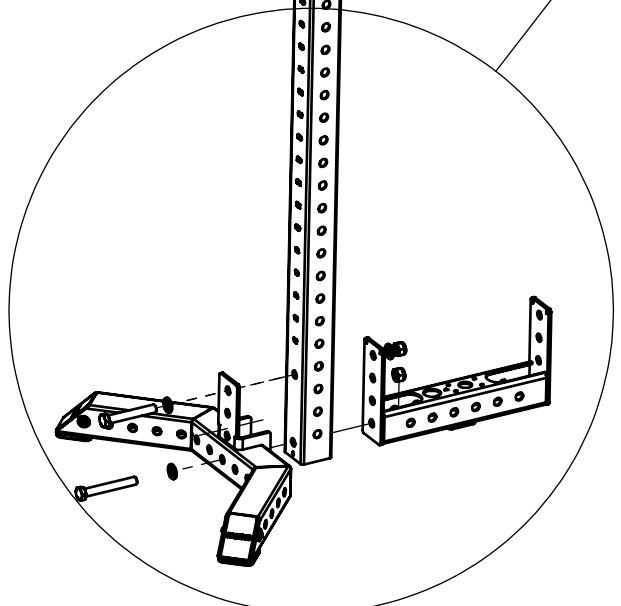
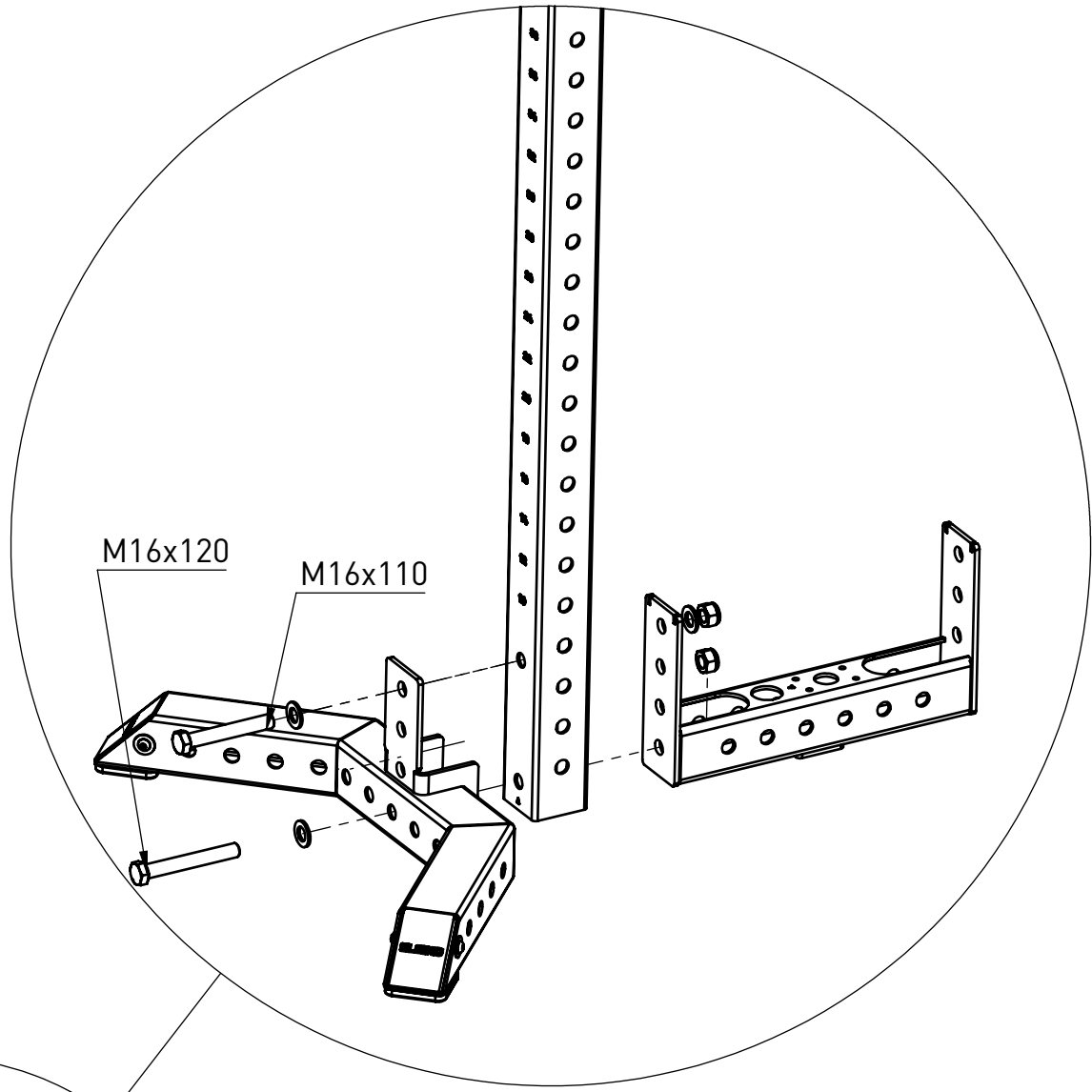


Washer M16

2x



Locking Nut M16



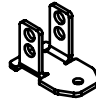
3.

1x

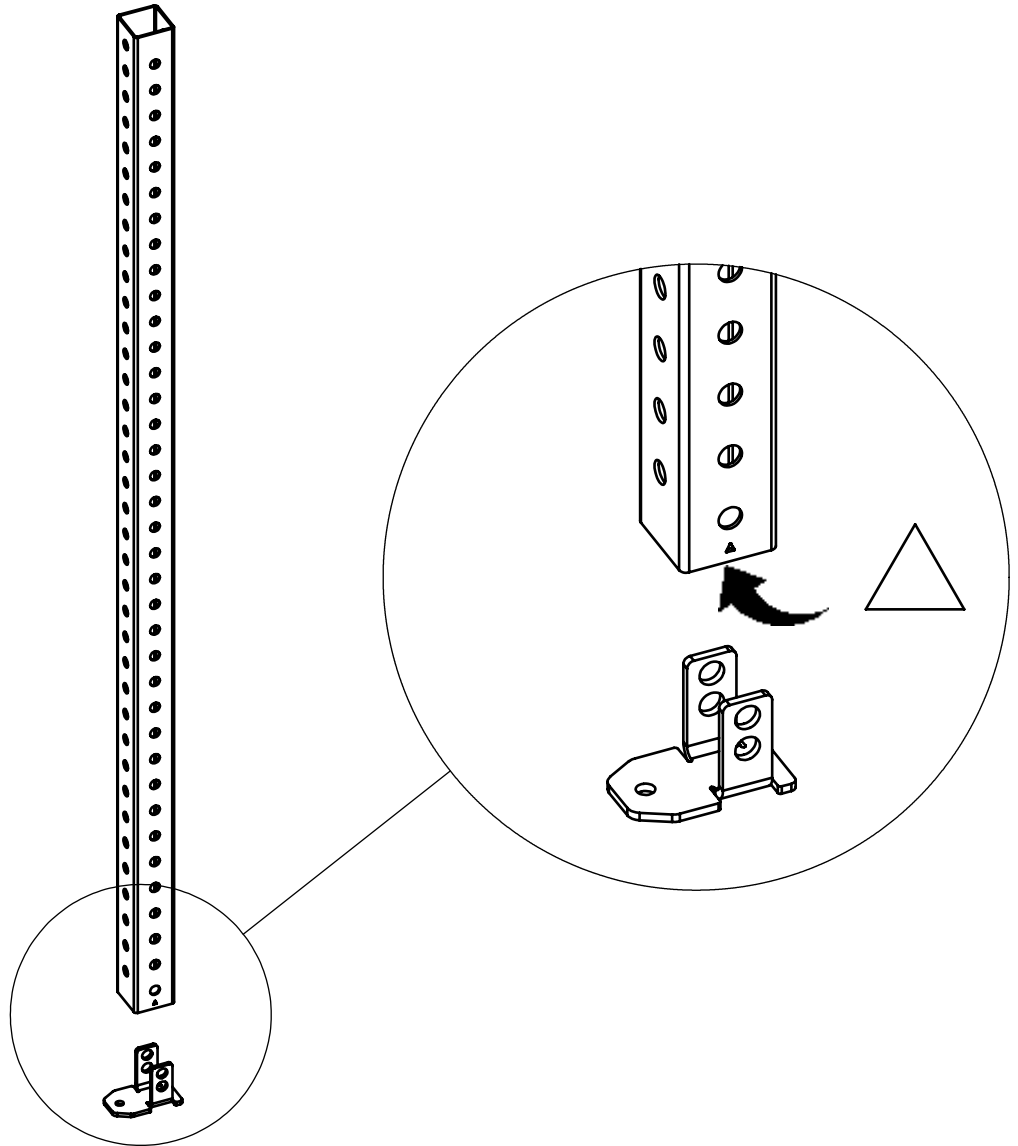


2001320

1x



2001373



4.

2x



4x



2x

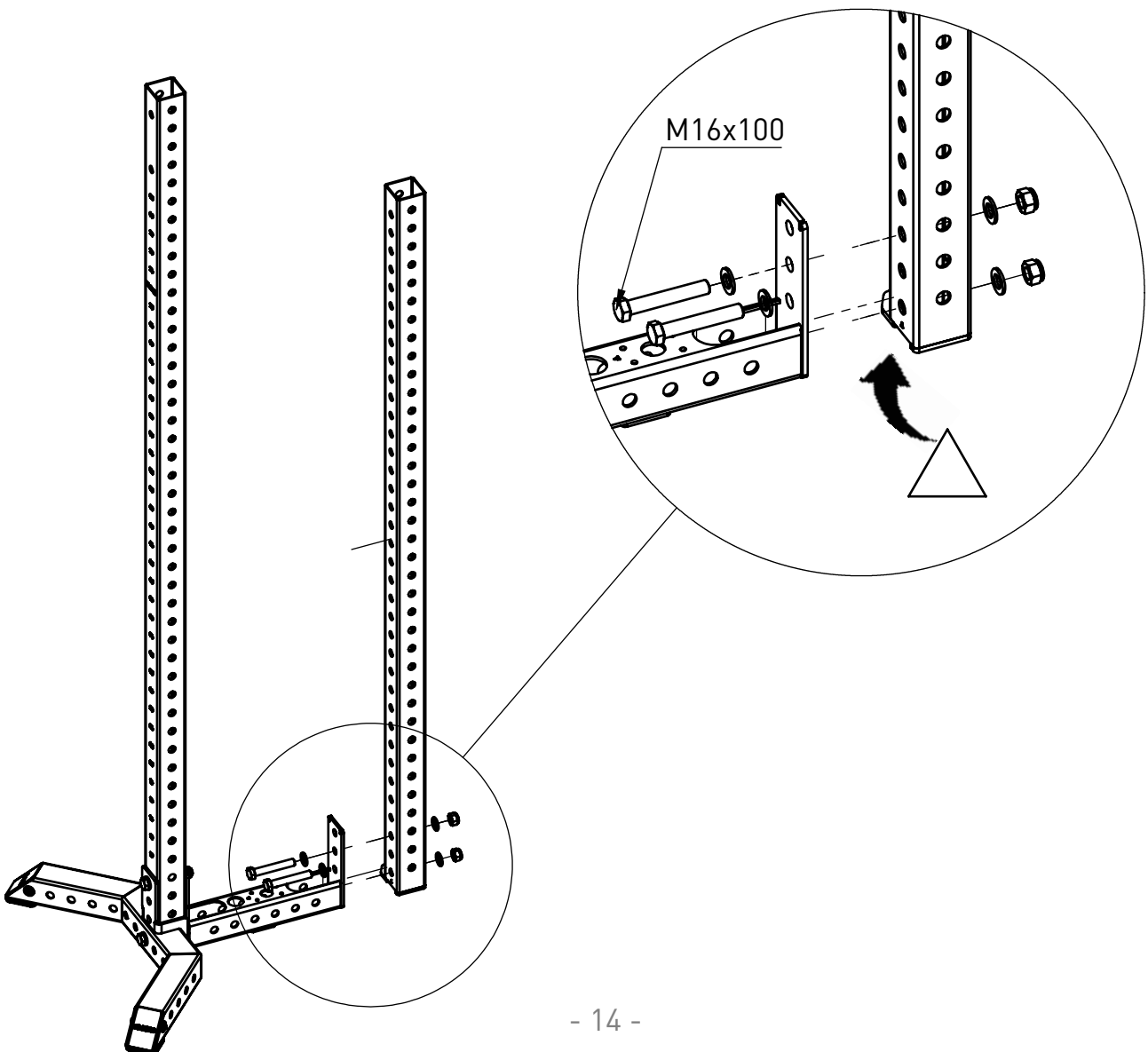


M16x100

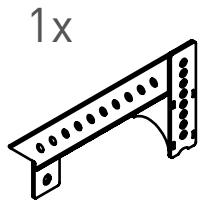
Washer M16

Locking Nut M16

LOOSE SCREWS!

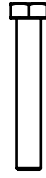


5.



2001299

3x



M16x100

6x



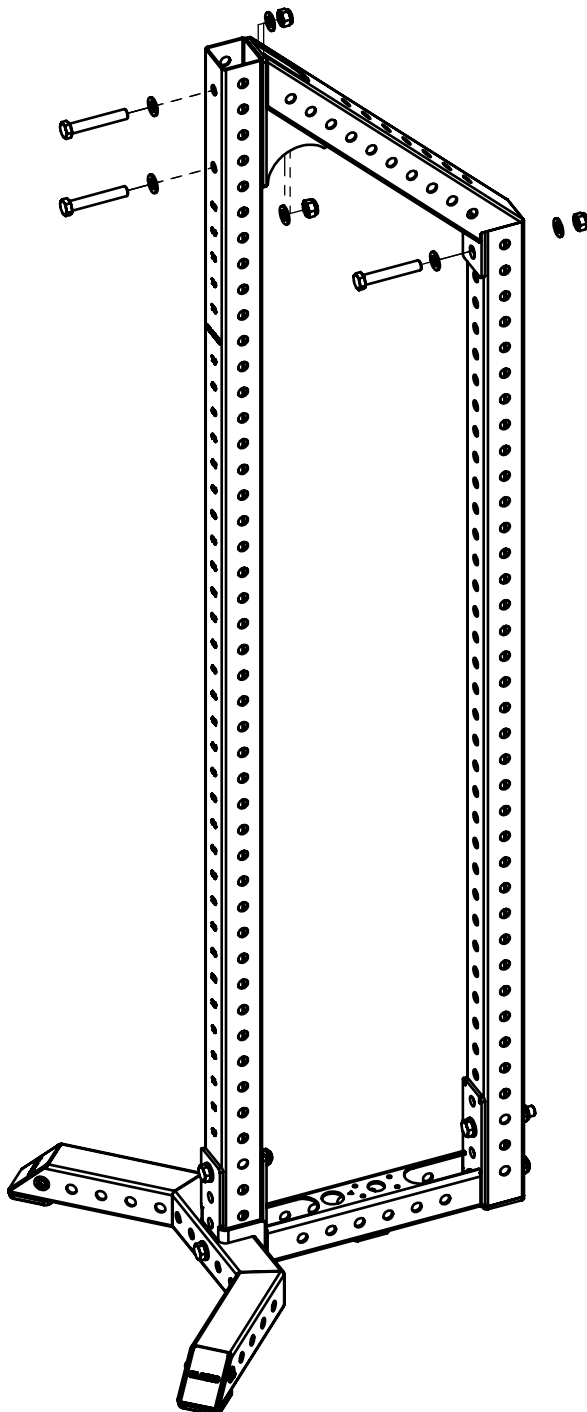
Washer M16

3x

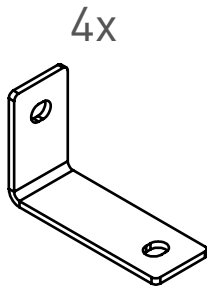


Locking Nut M16

LOOSE SCREWS!

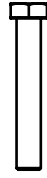


6.



3085848p1

2x



M16x100

4x



Washer M16

2x

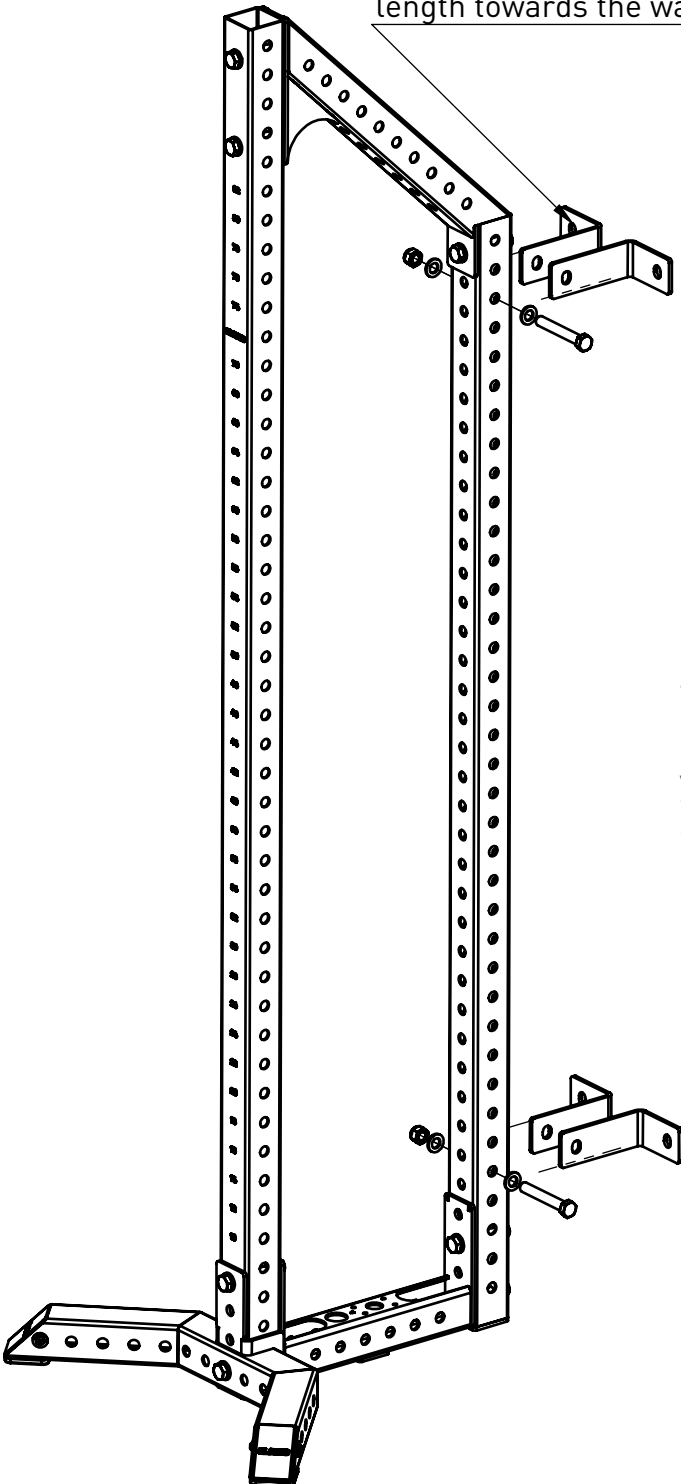


Locking Nut M16

1.

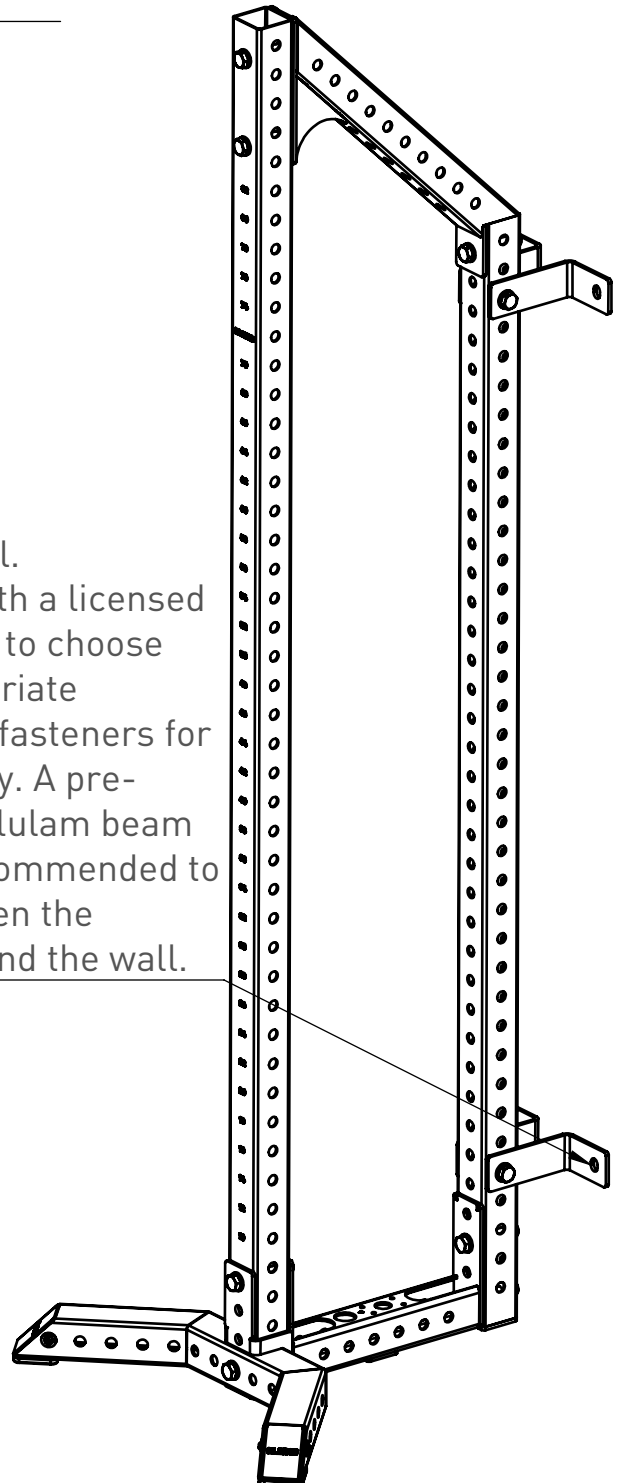
The brackets can be flipped depending on how far from the wall you need the single station to be.

Always make sure all the brackets are flipped the same, so they have equal length towards the wall.



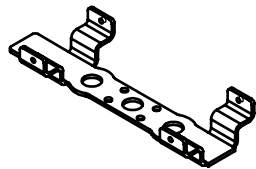
2.

Bolt to wall.
Consult with a licensed contractor to choose the appropriate anchoring fasteners for your facility. A pre-attached glulam beam is also recommended to use between the brackets and the wall.



7.

1x



3085601 p8

4x

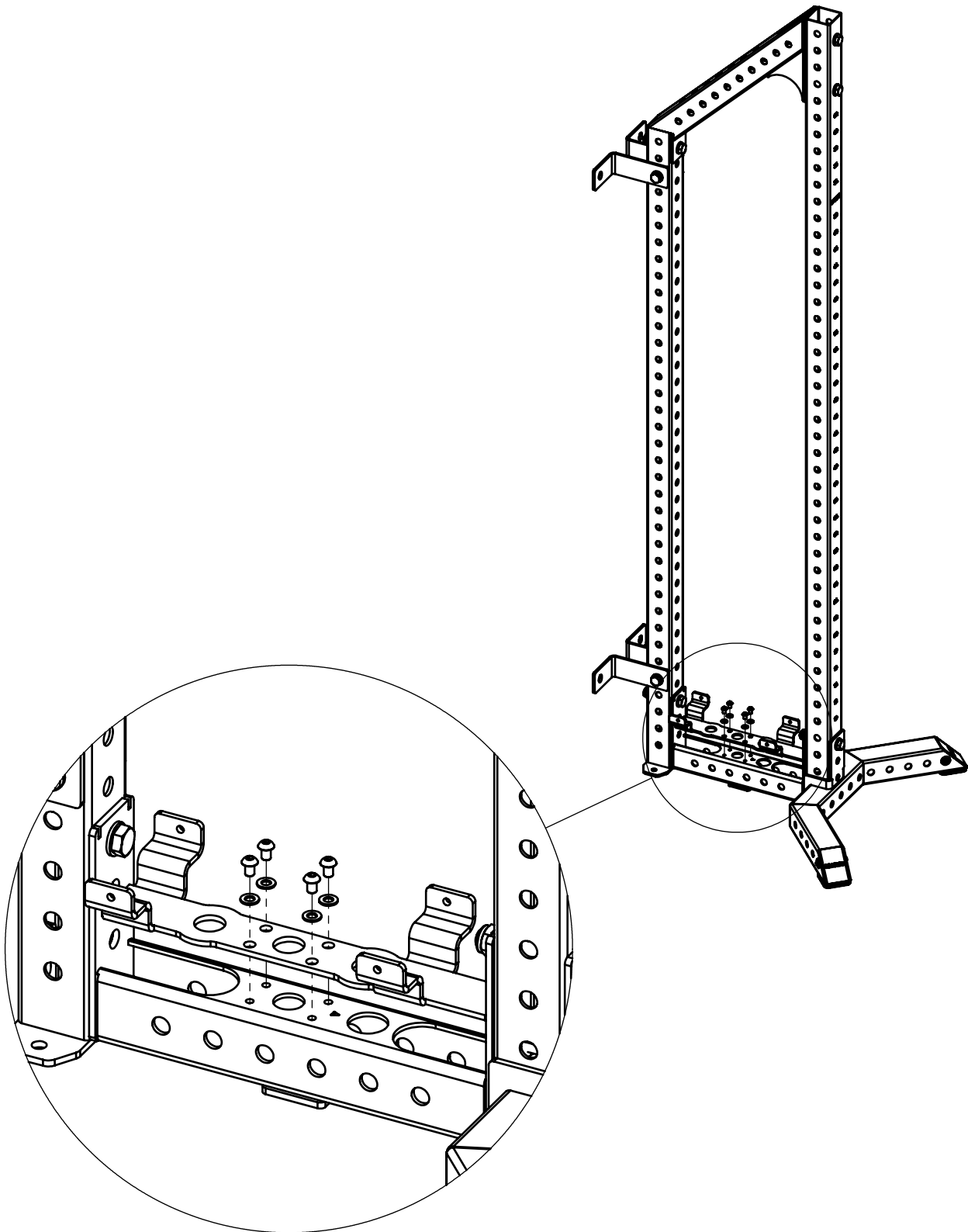


K6S M8 x 12

4x

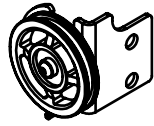


Washer M8



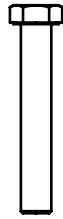
8.

1x



3085601 a8

2x



M16 x 100

4x

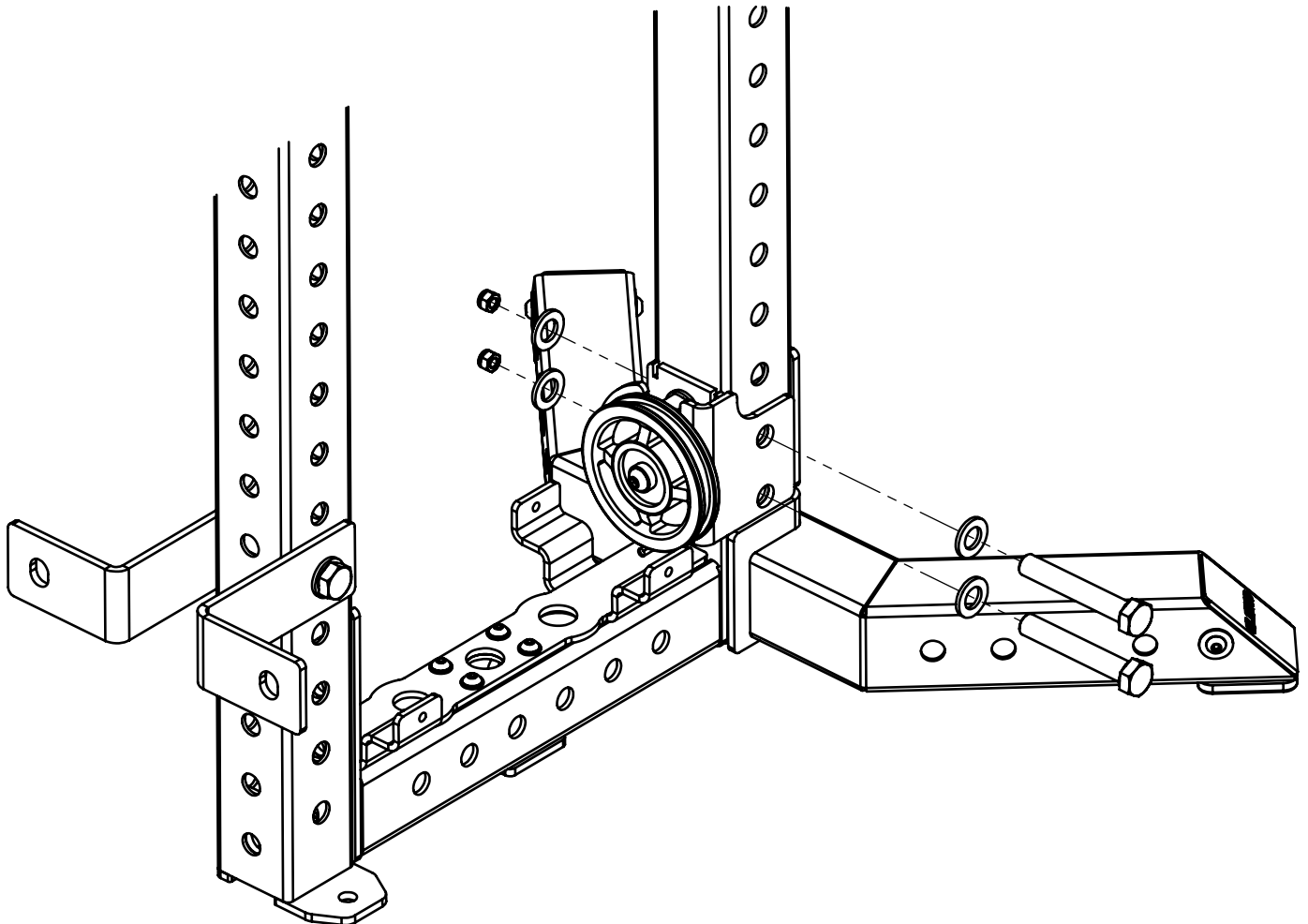


Washer M16

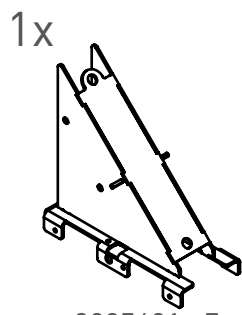
2x



Locking Nut M16



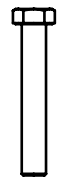
9.



1x

3085601 a7

2x



M16 x 100

4x

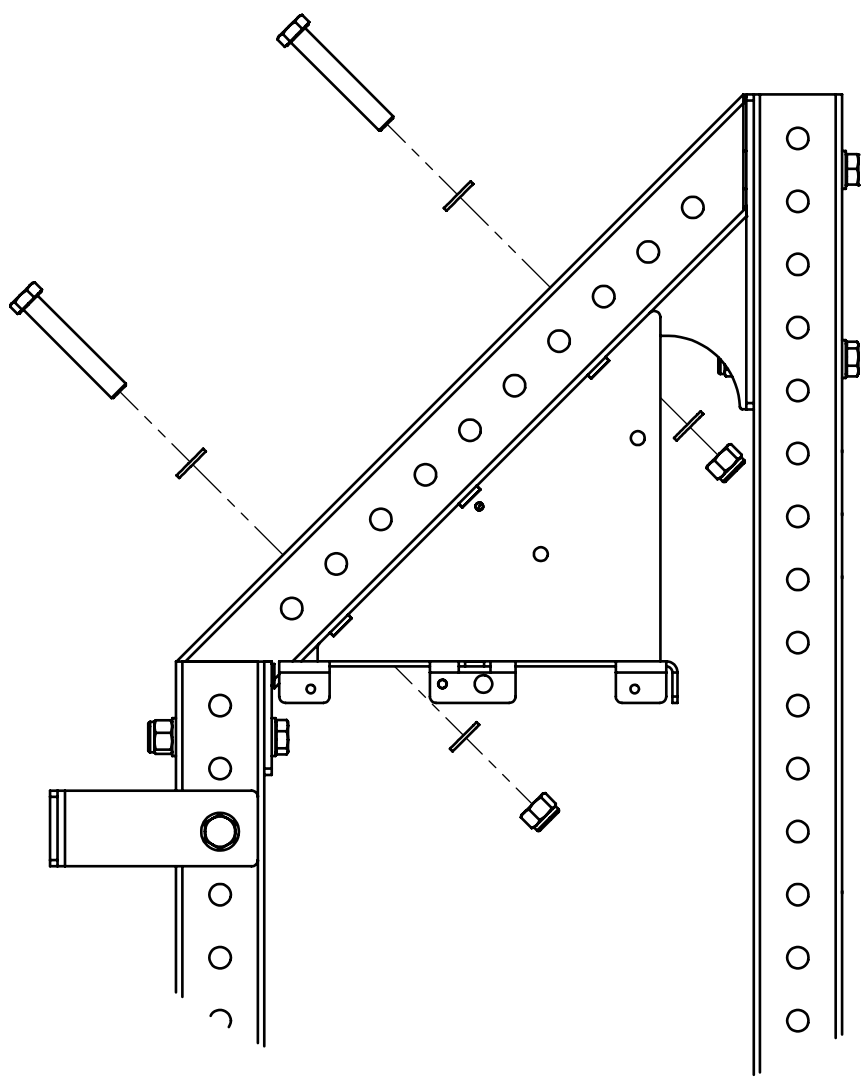


Washer M16

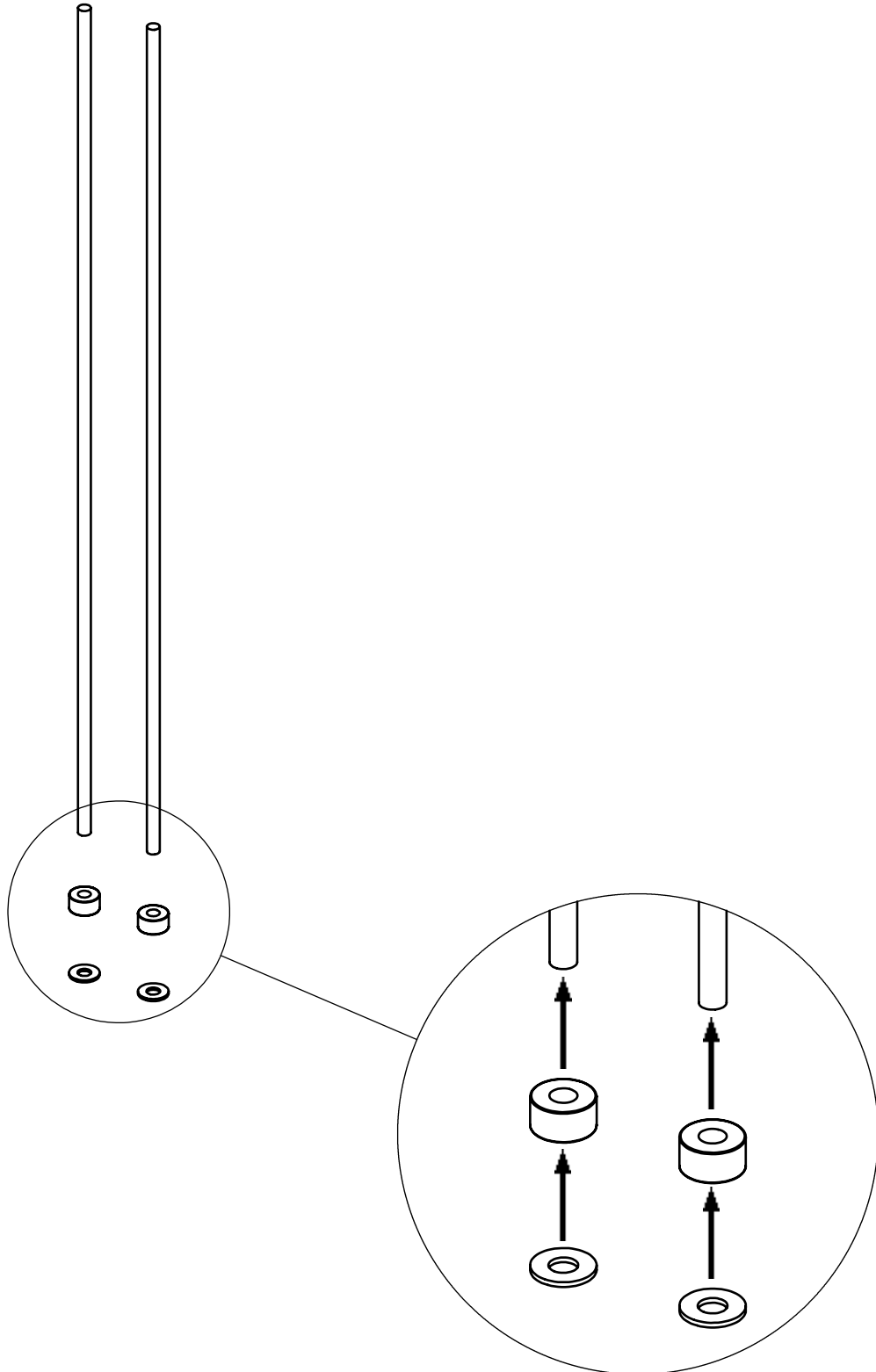
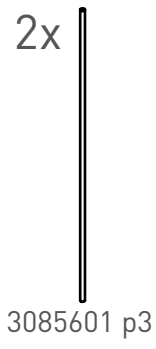
2x



Locking Nut M16



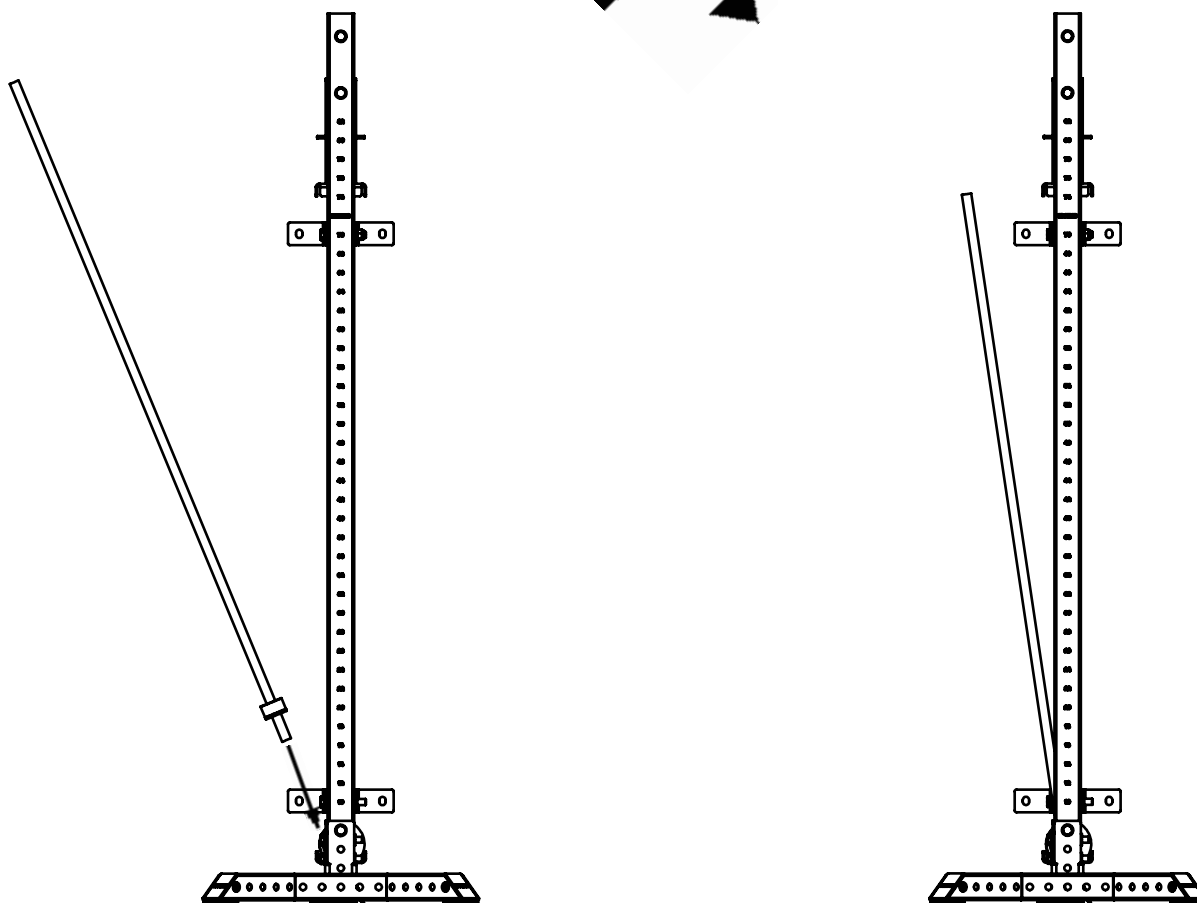
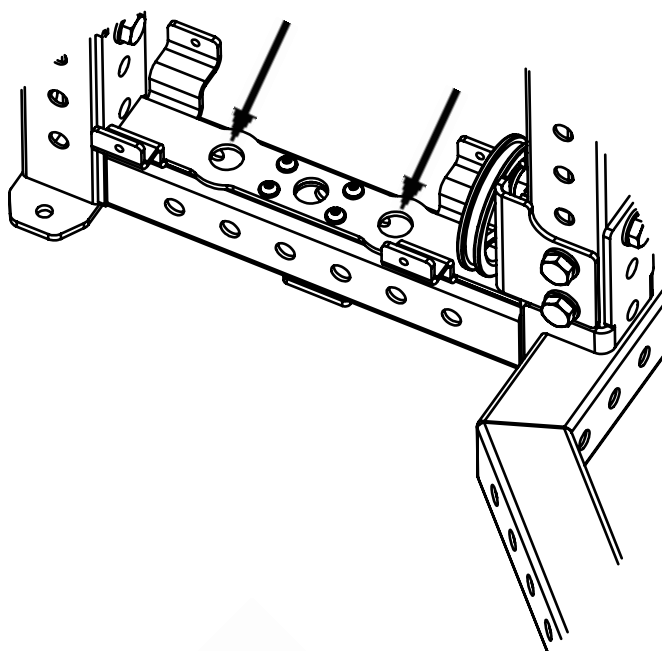
10.



11.

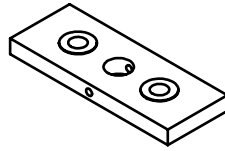
PLACE RODS IN TILTED POSITION IN THESE HOLES.
RUBBER DAMPERS AND DISTANCE PLATES DOWN!

WIPE OFF BOTH RODS WITH A CLEAN CLOTH!



12.

19x / 14x

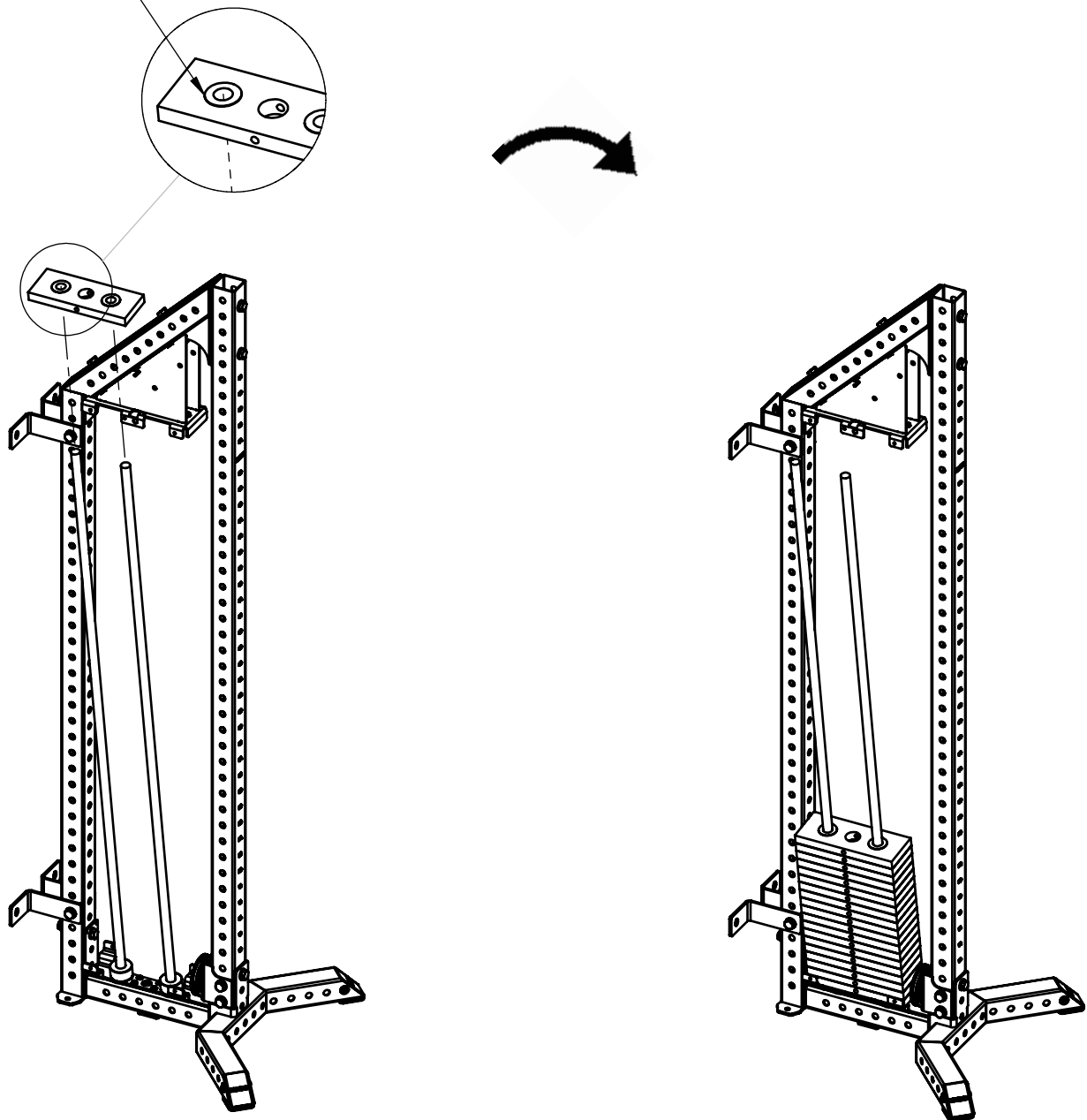


2001590

ASSEMBLE THE WEIGHT STACK PLATE BY PLATE!

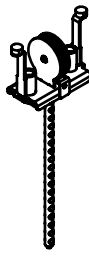
MAKE SURE THE FIRST PLATE IS PUSHED ALL THE WAY DOWN AND LOCKED IN POSITION!

This side up!

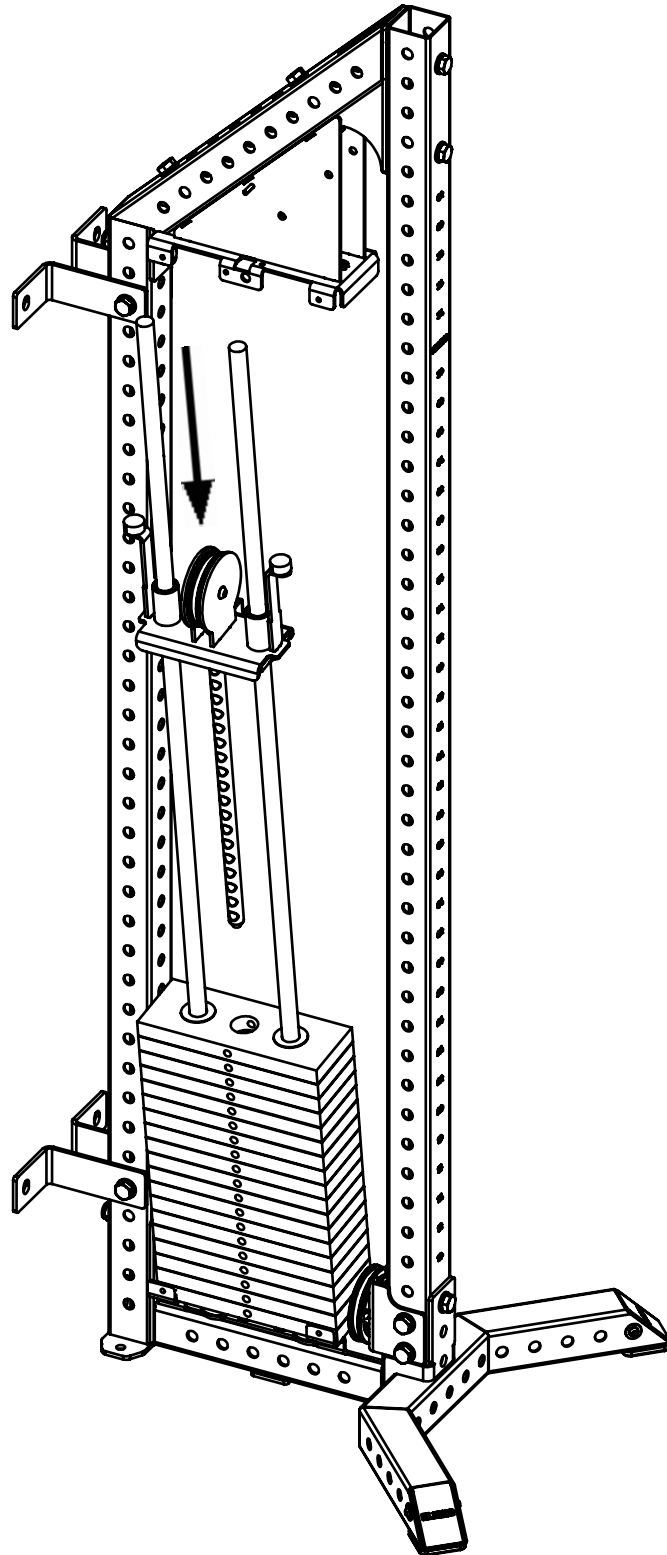


13.

1x

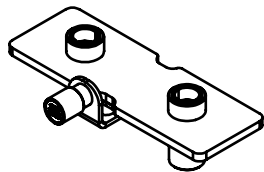


3085601 a1 / 3085850 a1



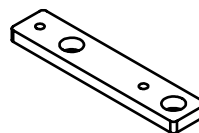
14.

1x



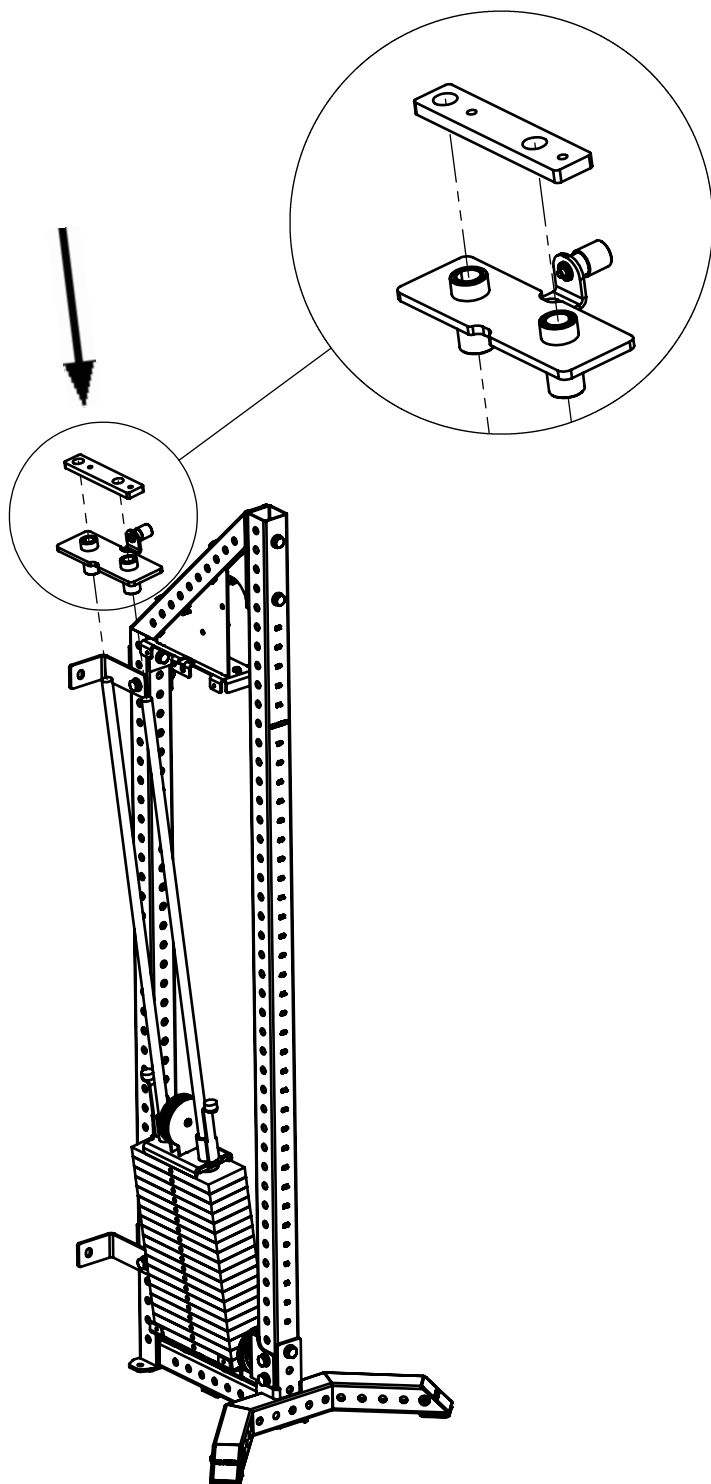
3085601 a2

1x

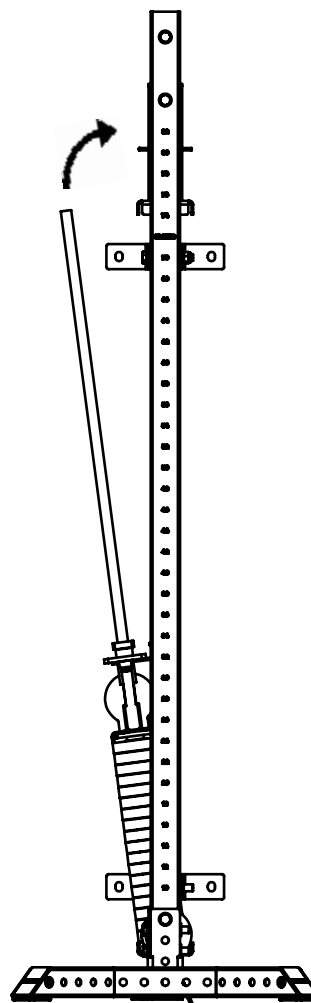


3085601 p9

MOUNT TOP WEIGHT AND PLASTIC TOP SUSPENSION!
PUSH TO VERTICAL POSITION!

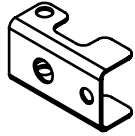


TOP WEIGHT AND PLASTIC TOP SUSPENSION
MUST BE TURNED THIS WAY!



15.

1x



3085601 p6

2x



K6S M8 x 30

2x

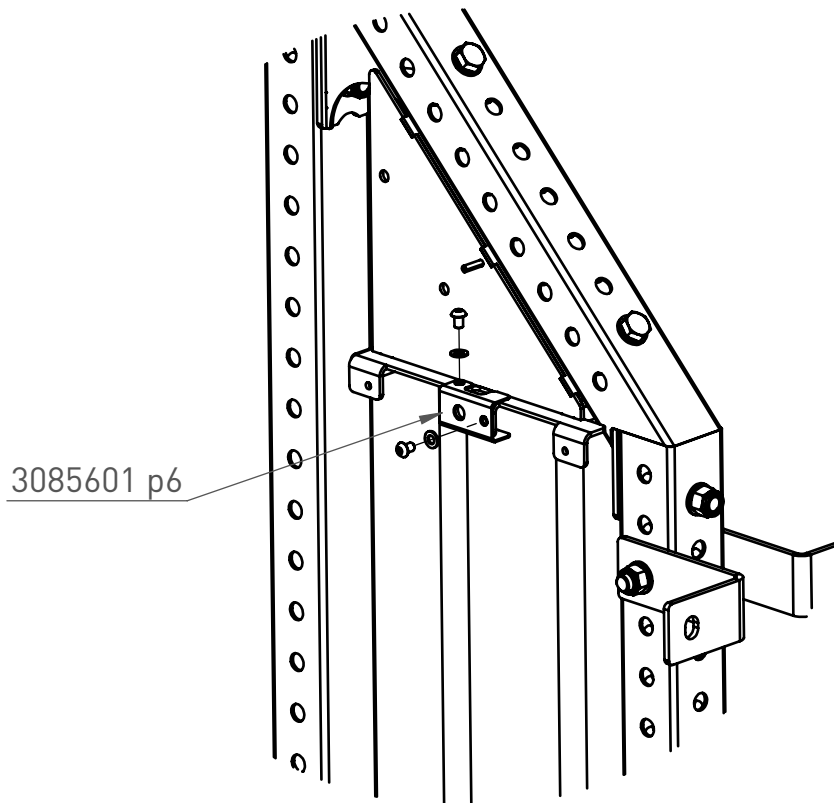
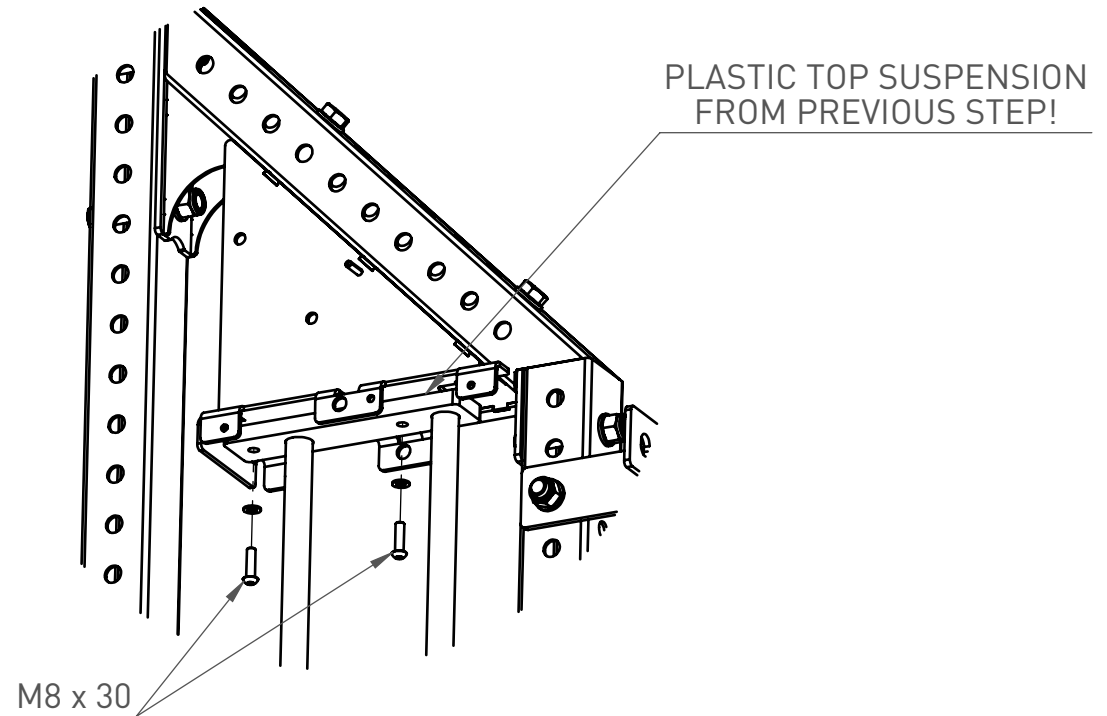


K6S M8 x 12

4x



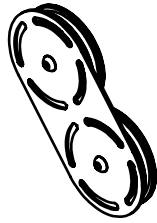
Washer M8



THE WEIGHT INCREMENT CAN NOW BE SECURED
IN A TOP POSITION WITH HELP OF THE POP-PIN!

16.

1x

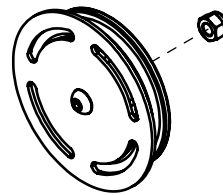
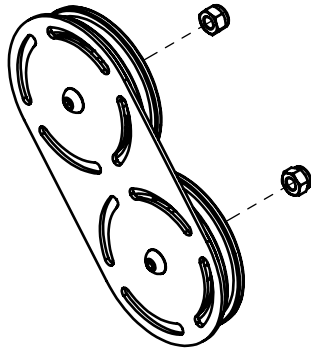


Double Wheel Kit

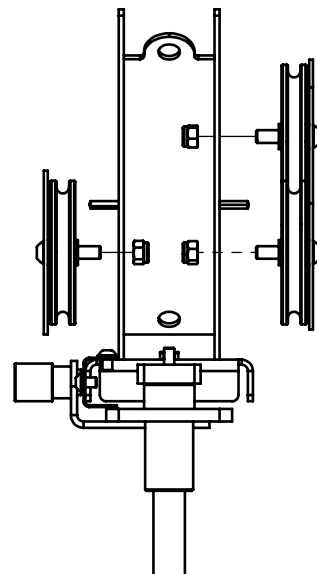
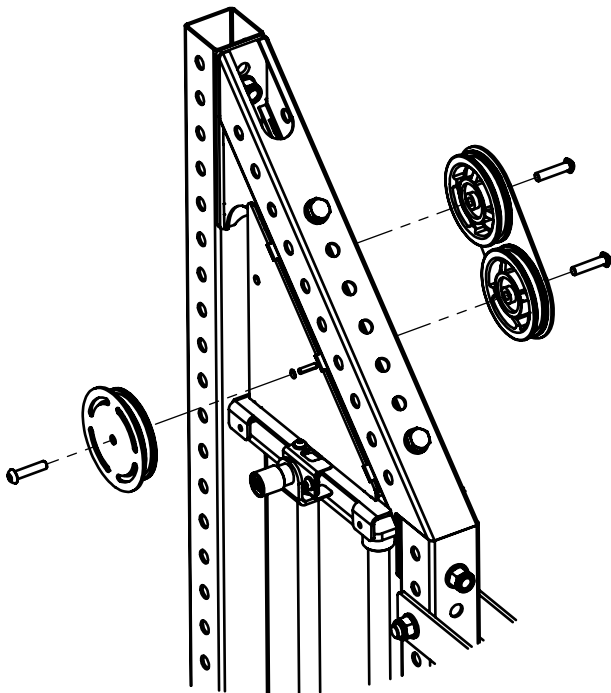
1x



Single Wheel Kit



UNSCREW NUTS AND MOUNT BOTH WHEEL KITS!



17.

1x



3085601 a9

2x



M16x100

4x



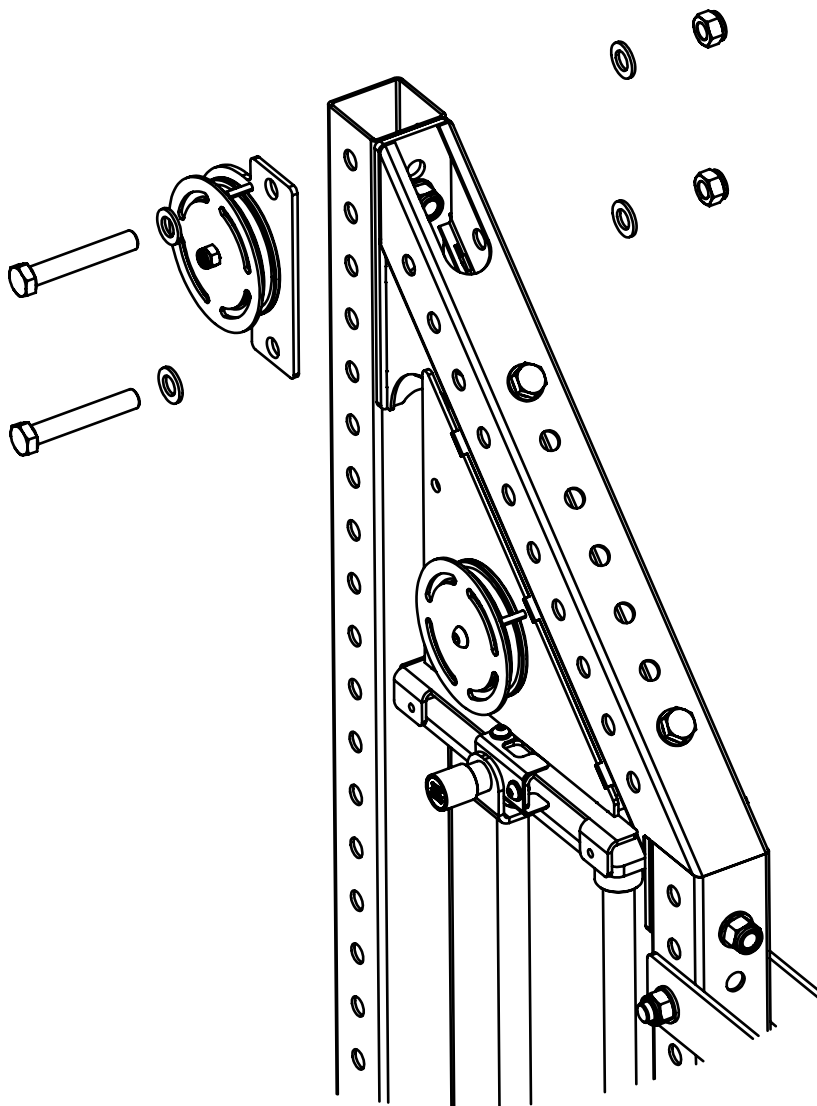
Washer M16

2x



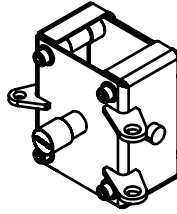
Locking Nut M16

THESE SCREWS CAN BE FOUND IN THE SCREW KIT THAT CAME WITH THE FRAME!



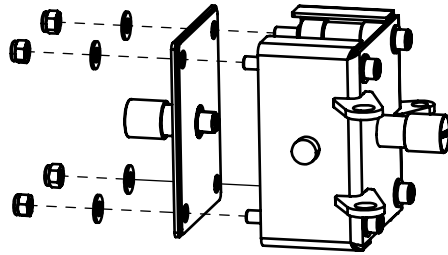
18.

1x

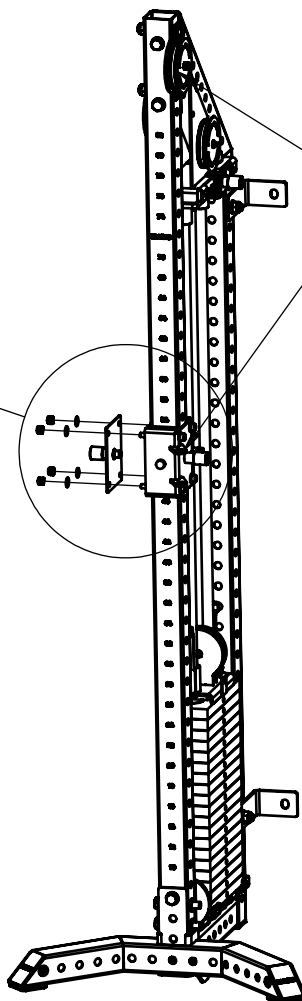
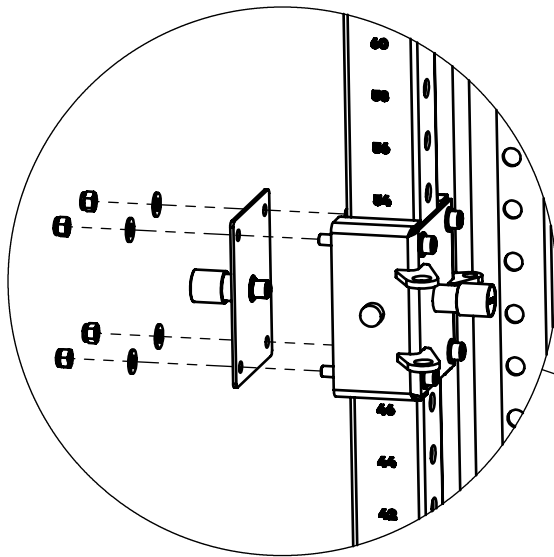


3085601 a3

REMOVE PLATE AND REASSEMBLE ON UPRIGHT!
BE CAREFUL NOT TO LET ANY PARTS FALL OUT!



MAKE SURE THE SCREWS ARE NOT TOO TIGHT!
CARRIAGE SHOULD BE EASY TO ADJUST IN HEIGHT!



Make sure you mount the carriage with the "ears" pointing to the same side as this pulley wheel.

19.

1x



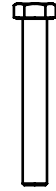
3085601 a6

2x



2001000

1x



M16 x 110

2x

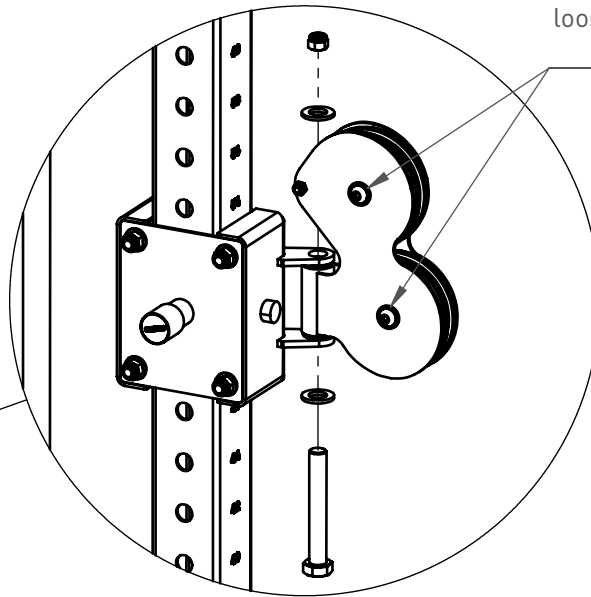
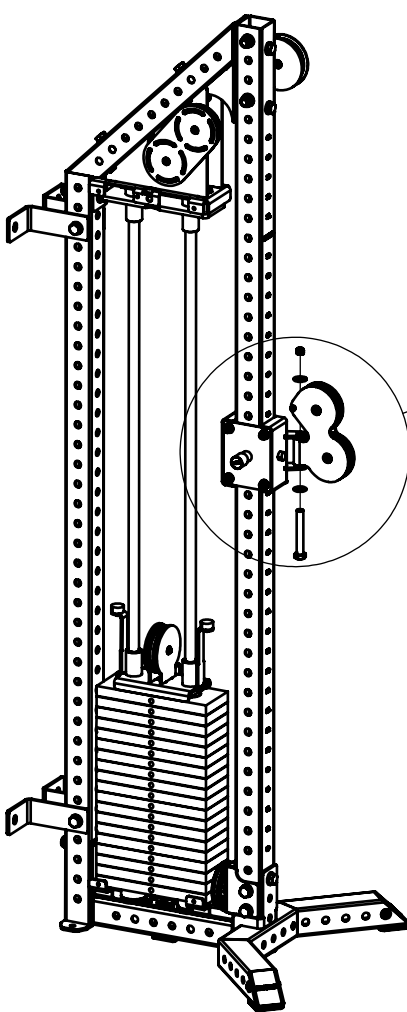
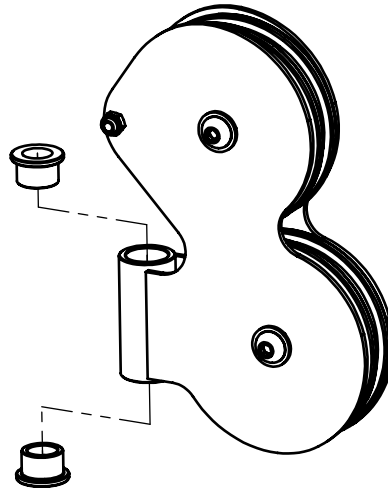


Washer M16

1x



Locking Nut M16



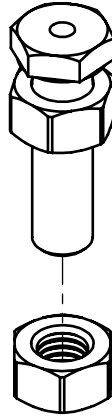
If locking nuts are on this side,
loosen the screws and turn them so that
screw heads are on this side!

20.

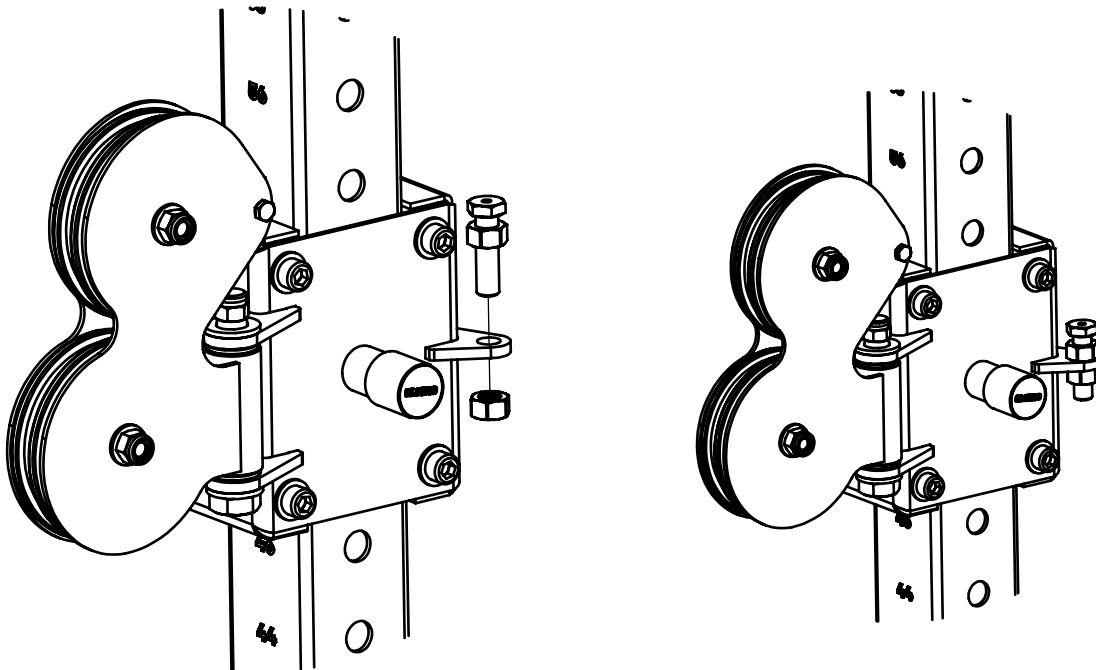
1x



Hollow Screw



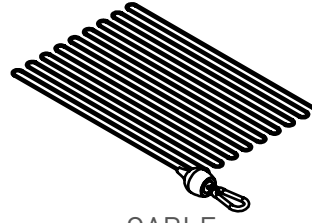
UNSCREW NUT AND MOUNT ON CARRIAGE!



SCREW SHOULD BE AS FAR DOWN AS POSSIBLE!
TENSION IN THE CABLE CAN LATER BE ADJUSTED BY MOVING THE SCREW UPWARDS!

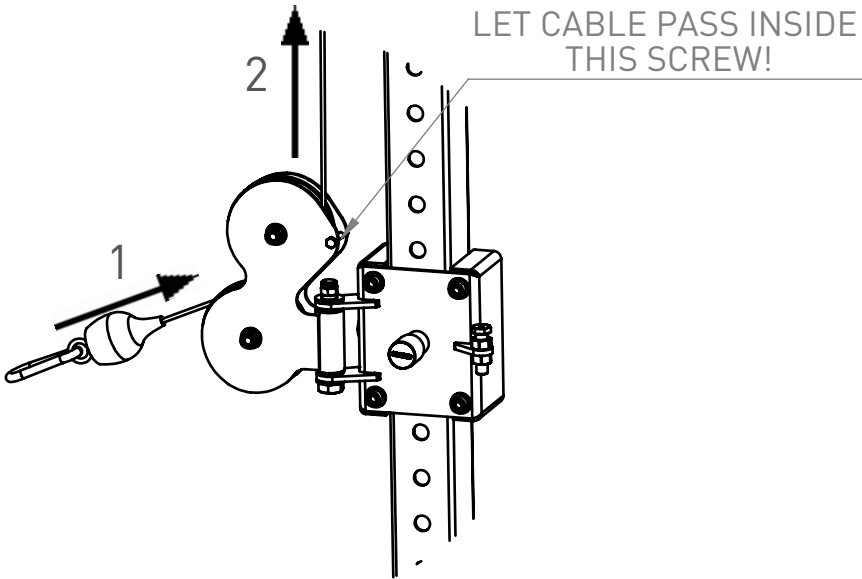
21a.

1x

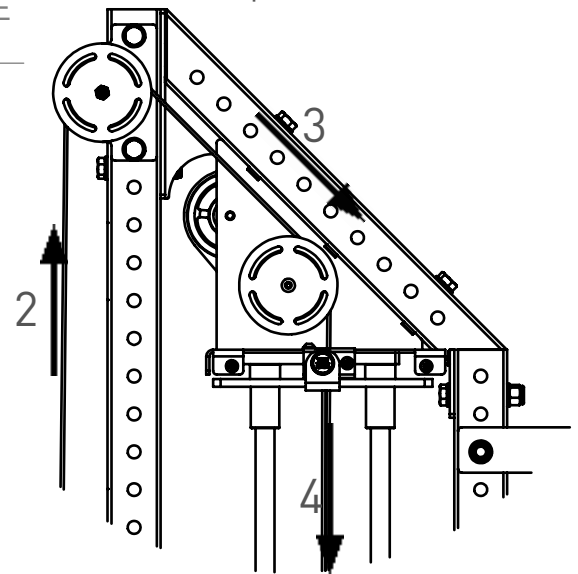


CABLE

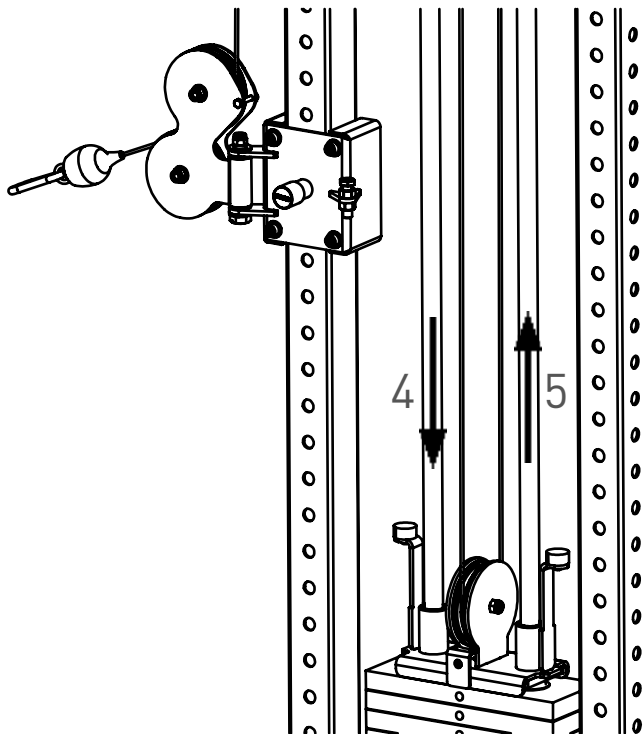
Step 1



Step 2



Step 3



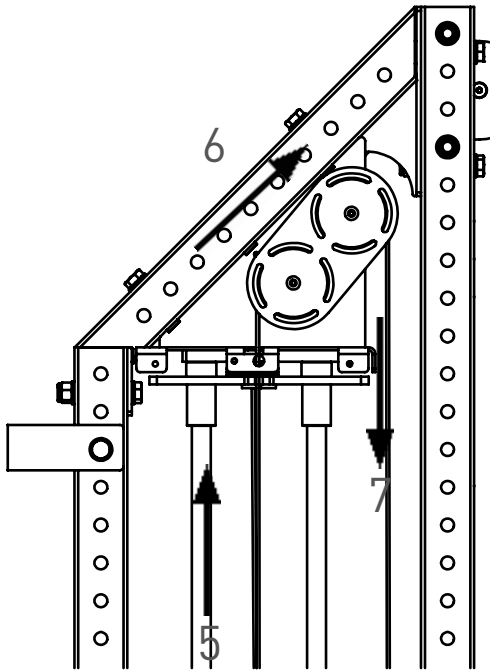
21b.

1x

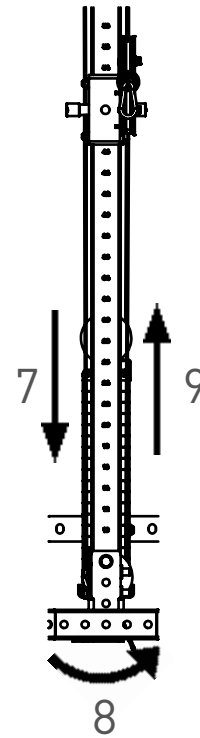


3060377

Step 4

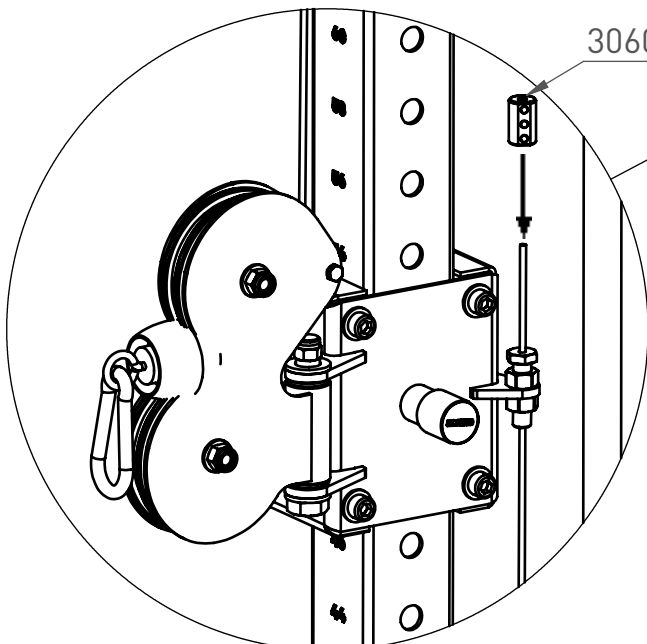


Step 5

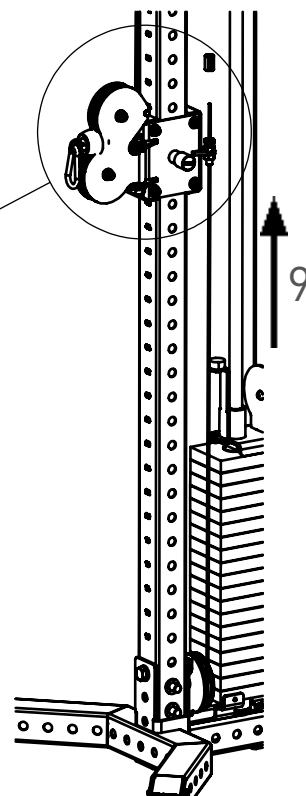


MAKE SURE THE CABLE IS TIGHT BY PULLING ITS END.
LET THE CABLE PASS THROUGH THE HOLLOW SREW
BEFORE FIXING IT WITH THE CABLE END!
CUT OFF LEFTOVERS FROM CABLE!

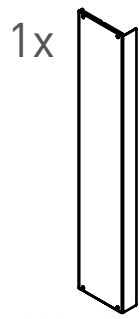
Step 6



3060377



22.



1x
3085601 p25

4x



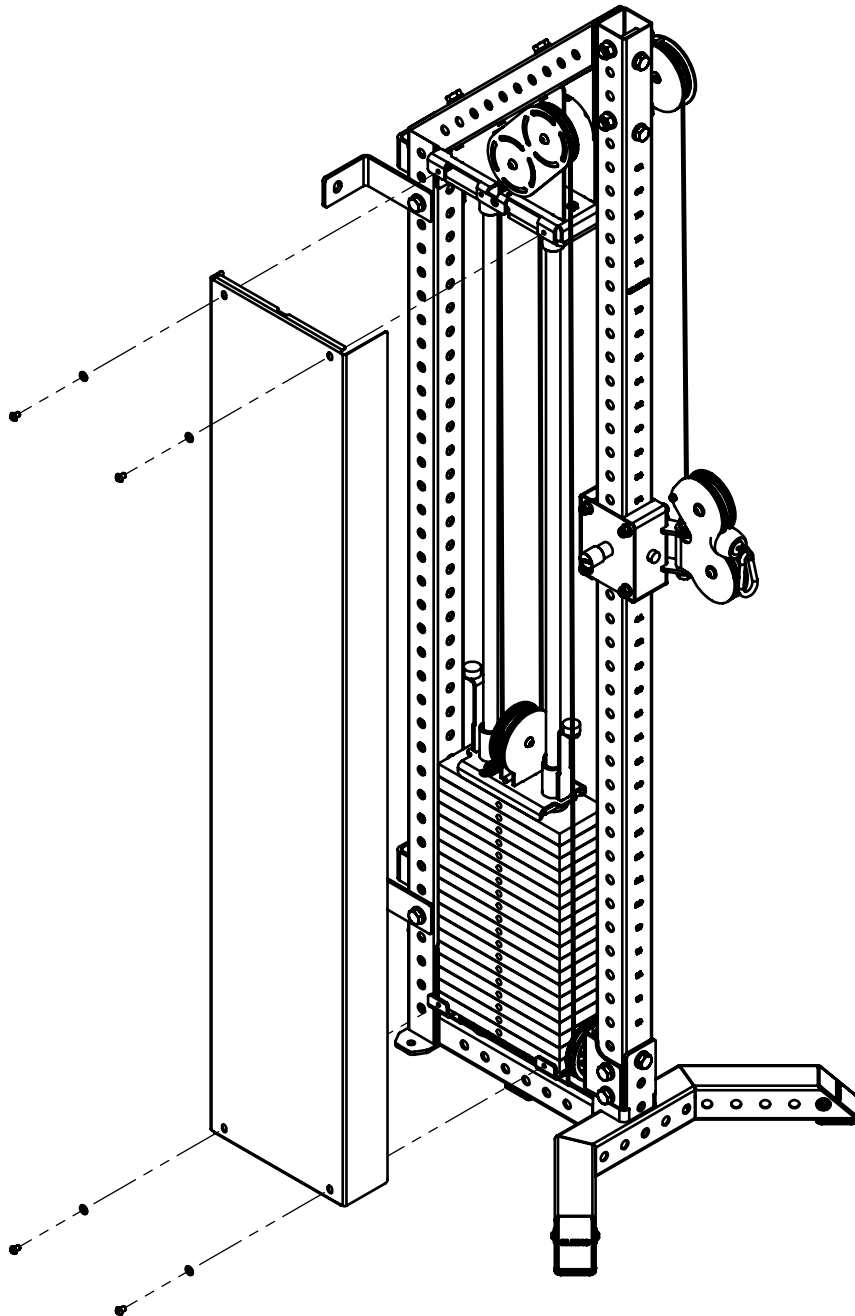
K6S M8 x 12

4x



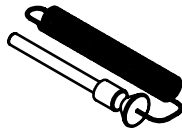
Washer M8

WIPE OFF BOTH RODS AGAIN WITH A CLEAN CLOTH
BEFORE MOUNTING COVER PLATE!

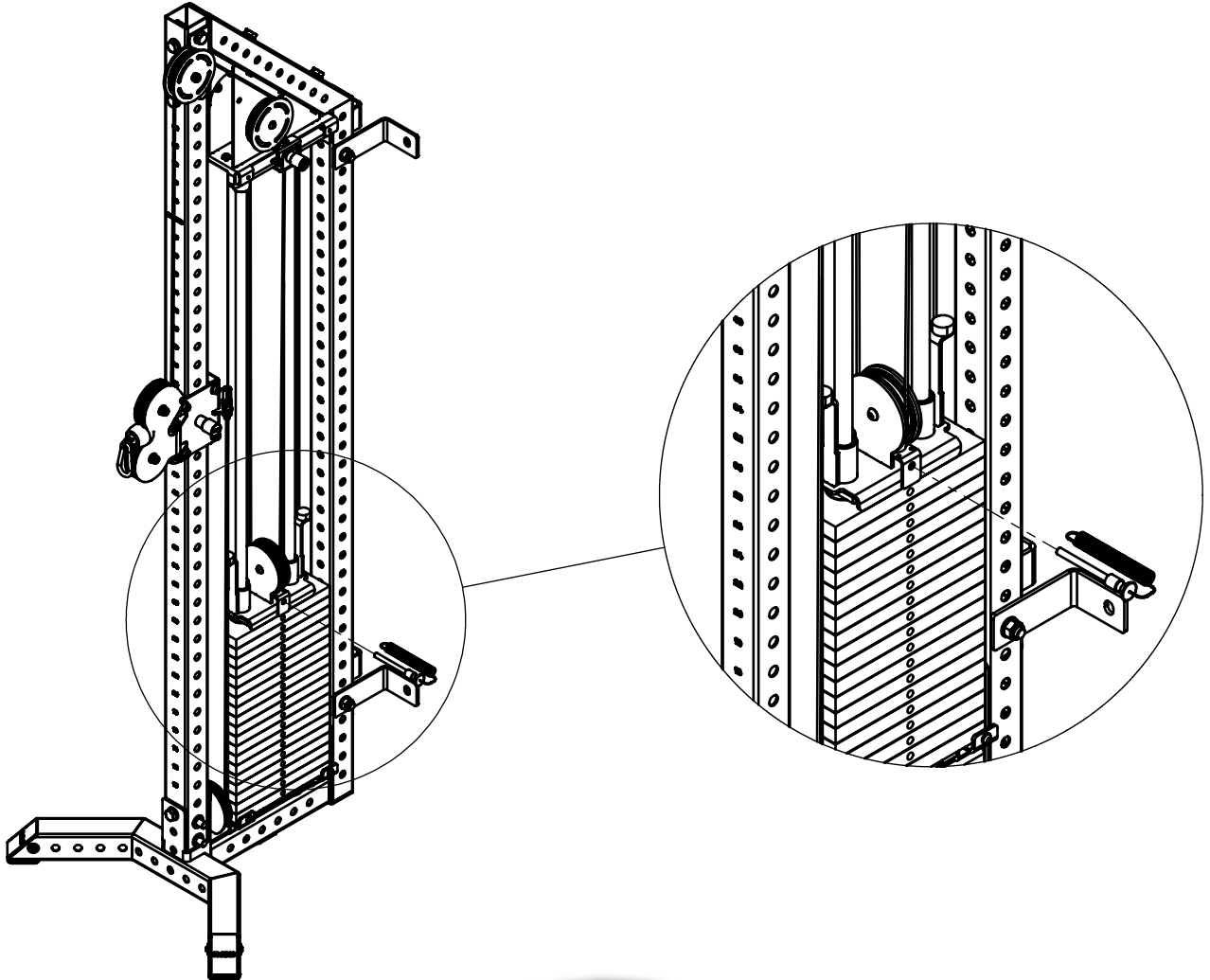


23.

1x

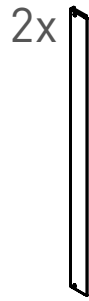


2001483



SECURE SELECTOR PIN BY THREADING THE METAL RING INTO THE RIGHT HOLE!

24.



3085601 p11

4x

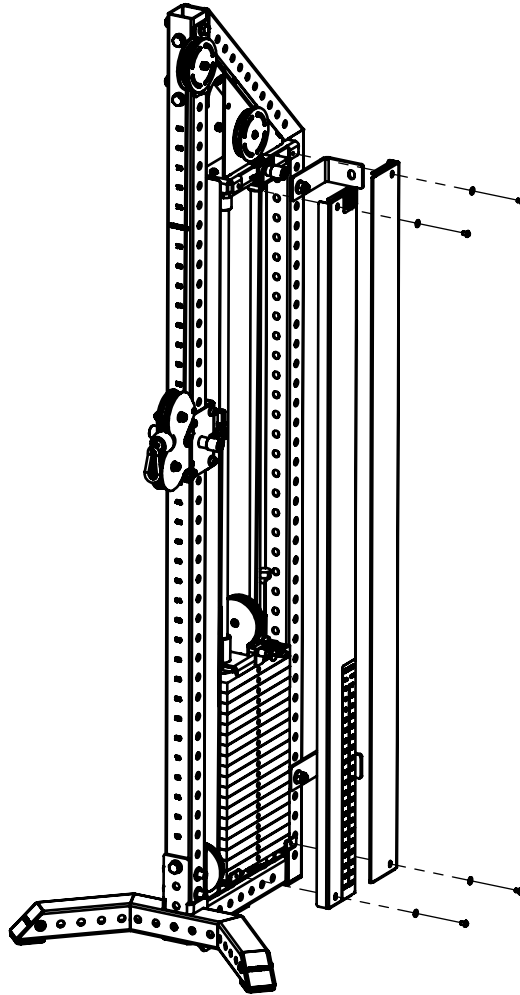


K6S M8 x 12

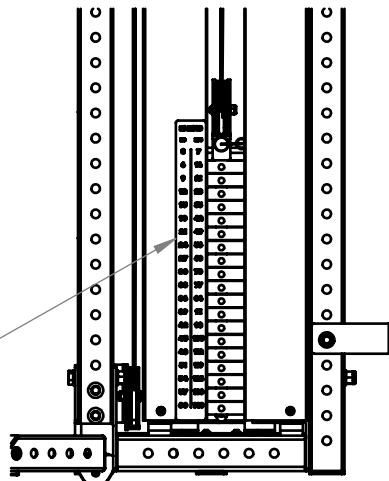
4x



Washer M8



NUMBERS TO THE LEFT OF THE WEIGHT STACK!



USER GUIDE

PURPOSE

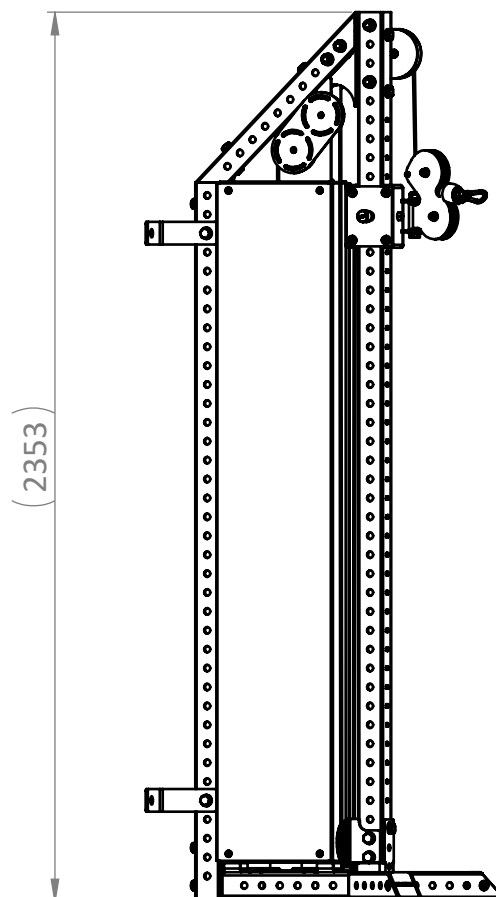
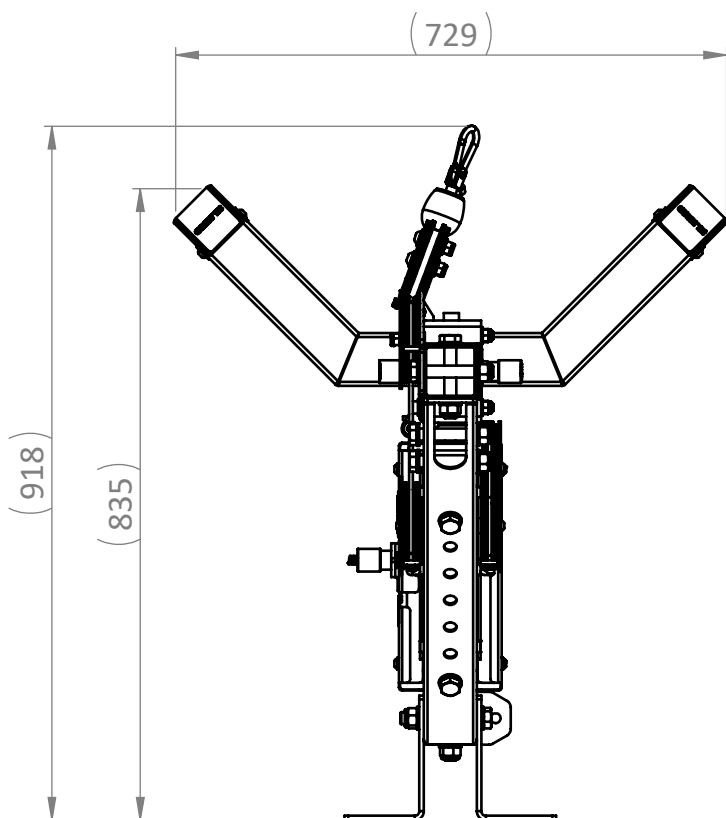
The Eleiko cable single station provides users with a wide range of exercises that target all muscle groups. All with a small foot print.

GENERAL INSTRUCTIONS FOR USE

1. Use the selector pin to select training weight.
2. Adjust height on carriage by pulling the pop-pins.
3. Switch to different handles depending on exercise.
4. Release 1,5 kg / 3,5 lbs weight increment by pulling pop-pin.

PRODUCT SPECIFICATION

Max user weight	N/A
Max training weight	120 kg / 265 lbs (120 kg weight stack) 90 kg / 198,4 lbs (90 kg weight stack)
Product weight	225 kg / 496 lbs (120 kg weight stack) 195kg / 429 lbs (90 kg weight stack)
Dimensions (L x W x H)	918 x 729 x 2353 mm 36,14 x 28,7 x 92,63"



CARE AND MAINTENANCE

PREVENTIVE MAINTENANCE AND INSPECTIONS

NOTE: The safety level of the equipment can only be maintained if it is examined regularly for damage and wear.

Regularly:

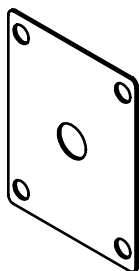
- Clean surfaces on the frames and tubes from dust and dirt.
- Check that all bolts between parts, walls and floors are properly tightened, according to recommendations.
- Check equipment for sharp edges. Replace parts with sharp edges.

See also www.eleiko.com.

SPARE PARTS AND SERVICE

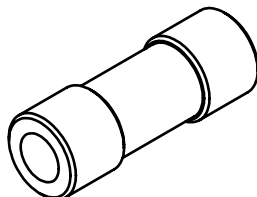
The following components are parts that are not listed in the list of components section. They may however need to be replaced eventually. The rest of the components can be found in the list of components section.

Plastic Protection



3085570 p6

Plastic Roller



3085570 p38

Spring



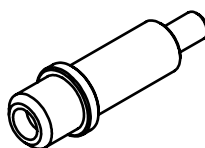
2001445

Locking Nut M10



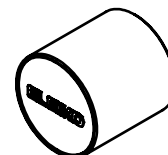
2001624

Plunger Pin



3085466 p17

Knurled Knob



2001345

Contact Eleiko for spare parts and service:

Eleiko Group AB | Klastorpsvägen 18 | SE-302 62 HALMSTAD | Sweden
E-mail: info@eleiko.com | Phone: +46 35 17 70 70
www.eleiko.com

WARRANTY

All products manufactured by ELEIKO are warranted to the original purchaser to be free from defects in workmanship and / or materials under normal use or service as follows:

- 5 years on structural moving parts.
- 3 years on bearing, bushings and pulleys.
- 1 year on cable and accessories.

ELEIKO

Eleiko Group AB | Klastorpsvägen 18 | SE-302 62 HALMSTAD | Sweden
E-mail: info@eleiko.com | Phone: +46 35 17 70 70

www.eleiko.com