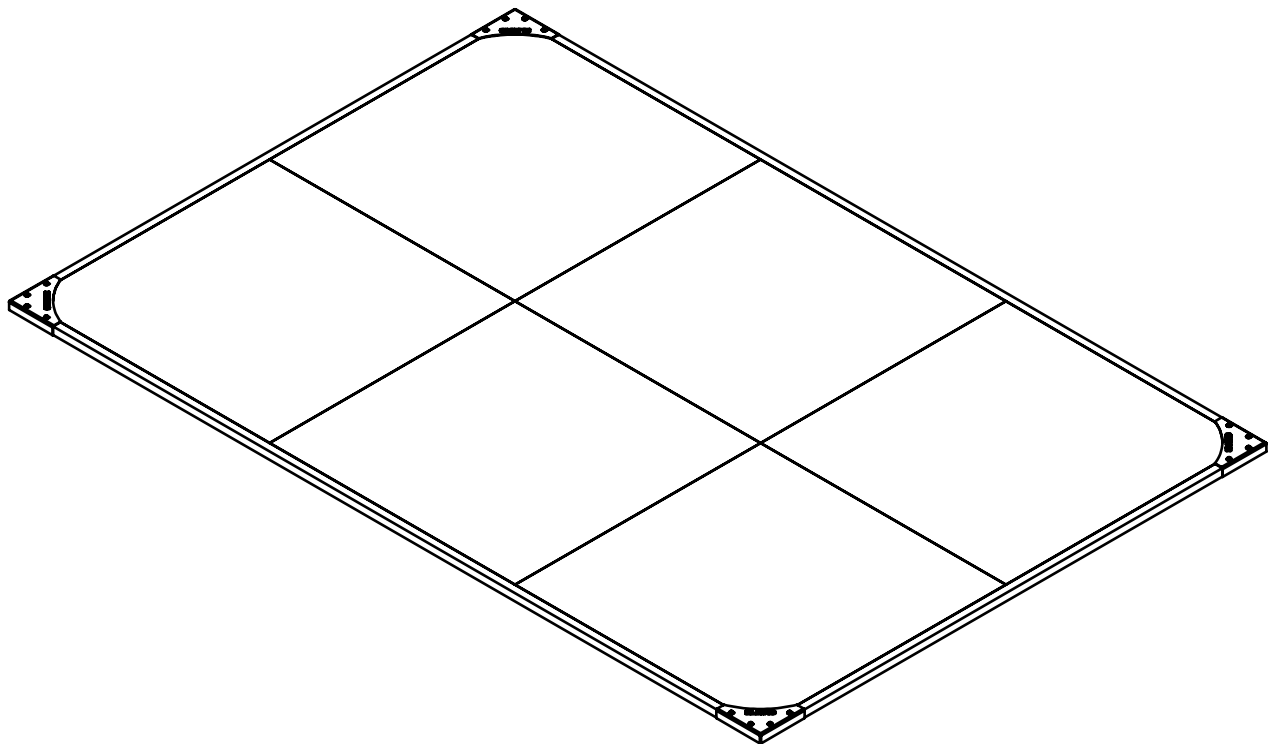


ELEIKO POWERLIFTING TRAINING PLATFORM - 3x2m

Art.no. 3085600



ELEIKO

CONTENTS

Read before installation and use	3
Safety instructions	3
List of components	4
Assembly instructions	5
Tools needed	5
User guide	10
Purpose	10
General instructions for use	10
Product specifications	10
Care and maintenance	11
Preventive maintenance and inspections	11
Spare parts and service	11
Warranty	11

READ BEFORE INSTALLATION AND USE

Install and use this equipment in a place where access and supervision are specifically controlled by the owner.

Be sure to install the equipment on a stable base and level the equipment properly. Eleiko recommends that all equipment is installed by a licensed contractor or an Eleiko installer.

This equipment is intended for indoor use only.

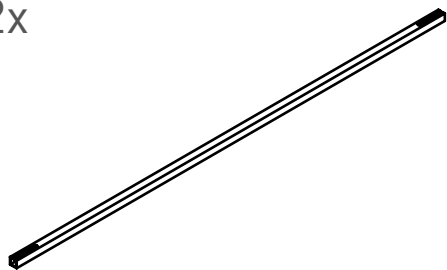
SAFETY INSTRUCTIONS

It is the responsibility of the purchaser of ELEIKO products to instruct all users and supervising personnel on proper usage of the equipment.

1. All included warnings (labels) and instructions **MUST** be read before the use of any Eleiko equipment. Only use the equipment as it is intended.
2. A user **MUST** get a medical examination and proper instructions before using any Eleiko equipment.
3. **DO NOT** let anyone, under any circumstances, use equipment that appears to be damaged. Do not try to repair any equipment before consulting an Eleiko technician.
4. **DO NOT** replace components of Eleiko equipment with other, none Eleiko, equipment (magnetic safety pin, frames, bars etc.). Do not improvise! If there are any doubts, consult an Eleiko representative prior to any intervention.
5. **DO NOT** overload the equipment and **DO NOT** try to exceed personal strength levels.
6. Children under the age of 14 must be supervised by an adult.
7. **DO NOT** remove any safety labels from the Eleiko equipment. Eleiko is not responsible if a label is removed. Replace damaged labels immediately.
8. Eleiko packaging for products can be made of wood. Be aware of splinters! You **MUST** use protective gloves and proper work wear.
9. Eleiko packaging material could be a risk when handling. Be aware of crushing! You **MUST** use work wear including protective gloves and hard shoes.
10. Eleiko products and packing material are heavy, You **MUST** use proper lifting techniques, work wear and hard shoes.

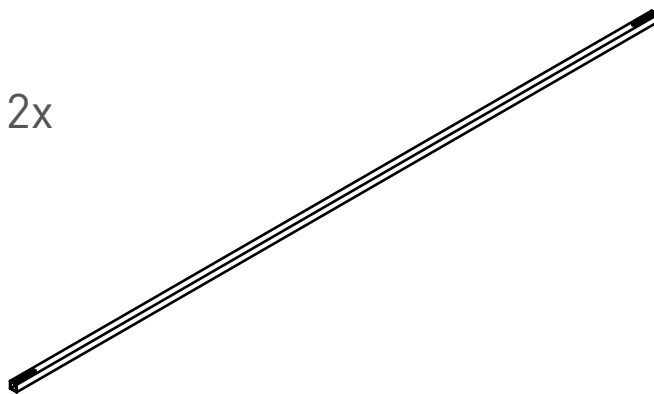
LIST OF COMPONENTS

2x



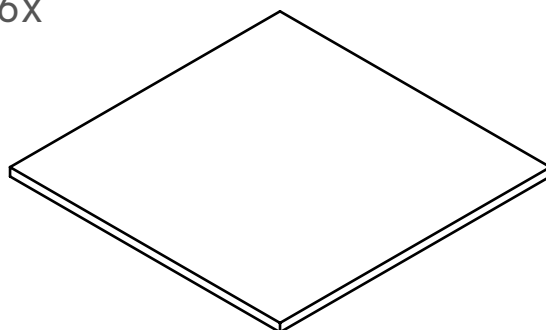
3085600p1

2x



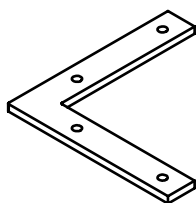
3085600p2

6x



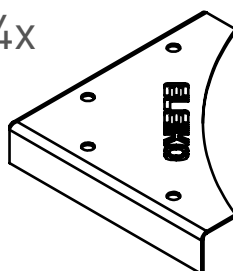
3085537

4x



3001384-03

4x



3085380

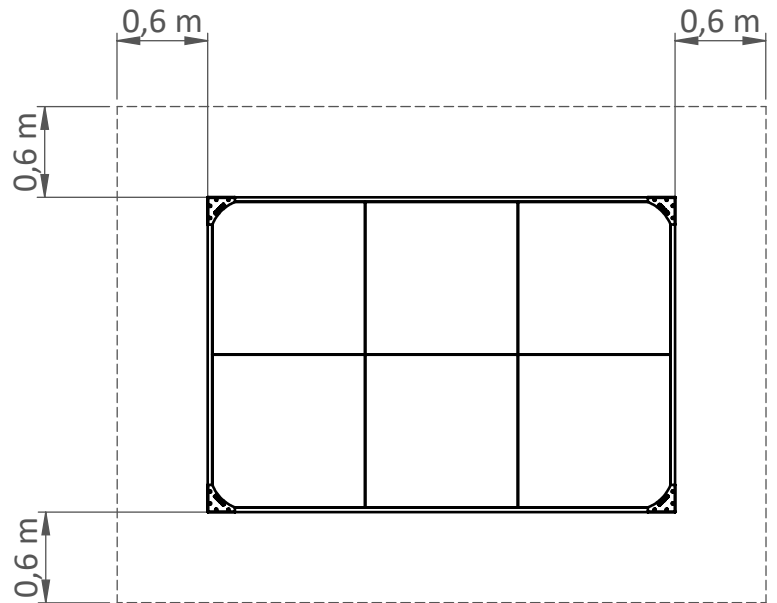
16x



2000747-L12

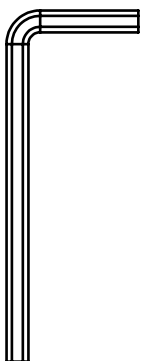
ASSEMBLY INSTRUCTIONS

Before assembly, make sure you have enough clearance on all sides of the equipment, not less than 0,6 meters. Take in account the accessibility to remove and replace bar and weights.



TOOLS NEEDED

You need the following tools to assemble the equipment.

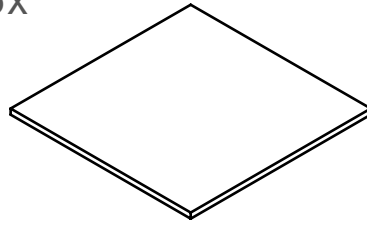


Allen Key Size 5

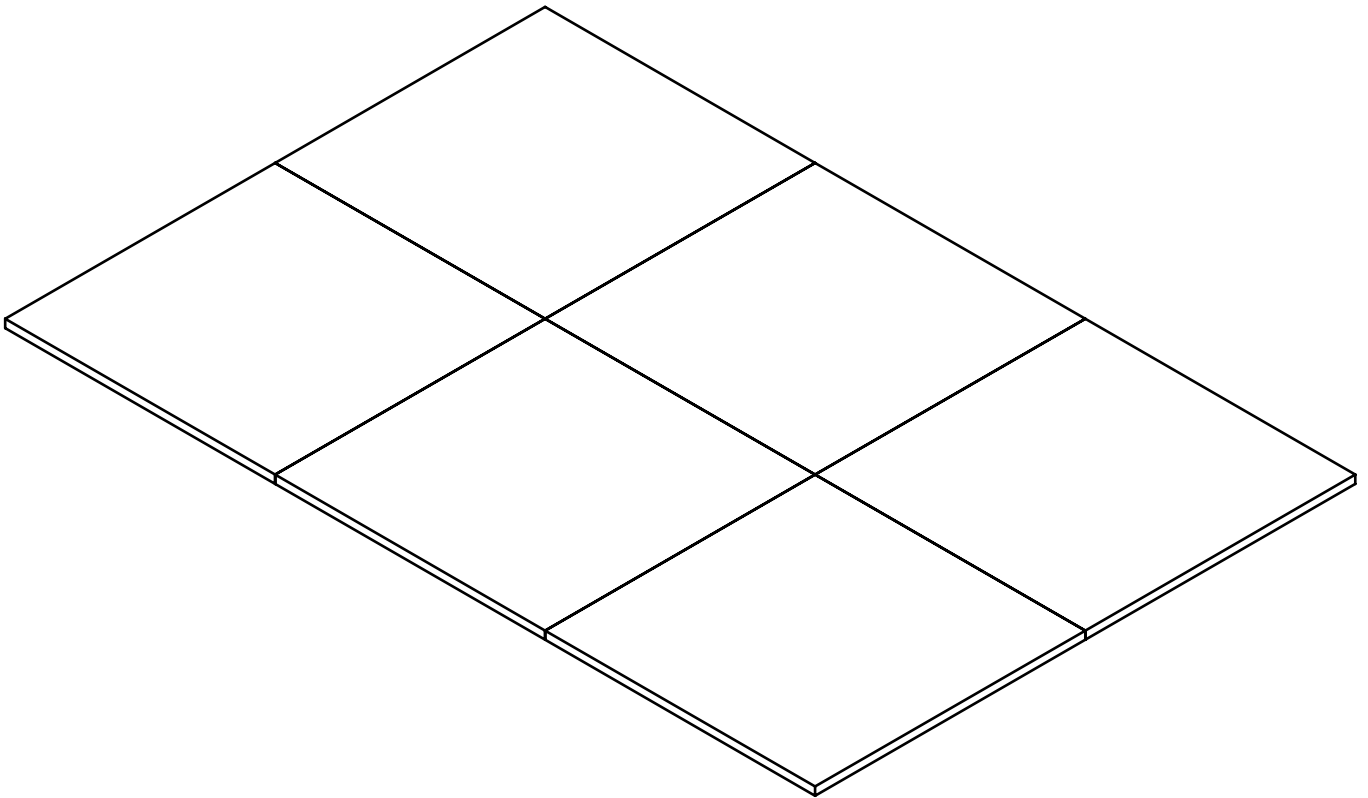
NOTE: Do not use electric power tools for assembly.

1.

6x



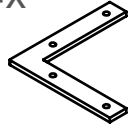
3085537



As the the rubber tiles have a tolerance of +/- 1% there could be a small difference in size between them.

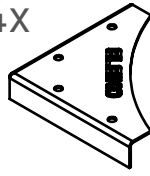
2.

4x



3001384-03

4x



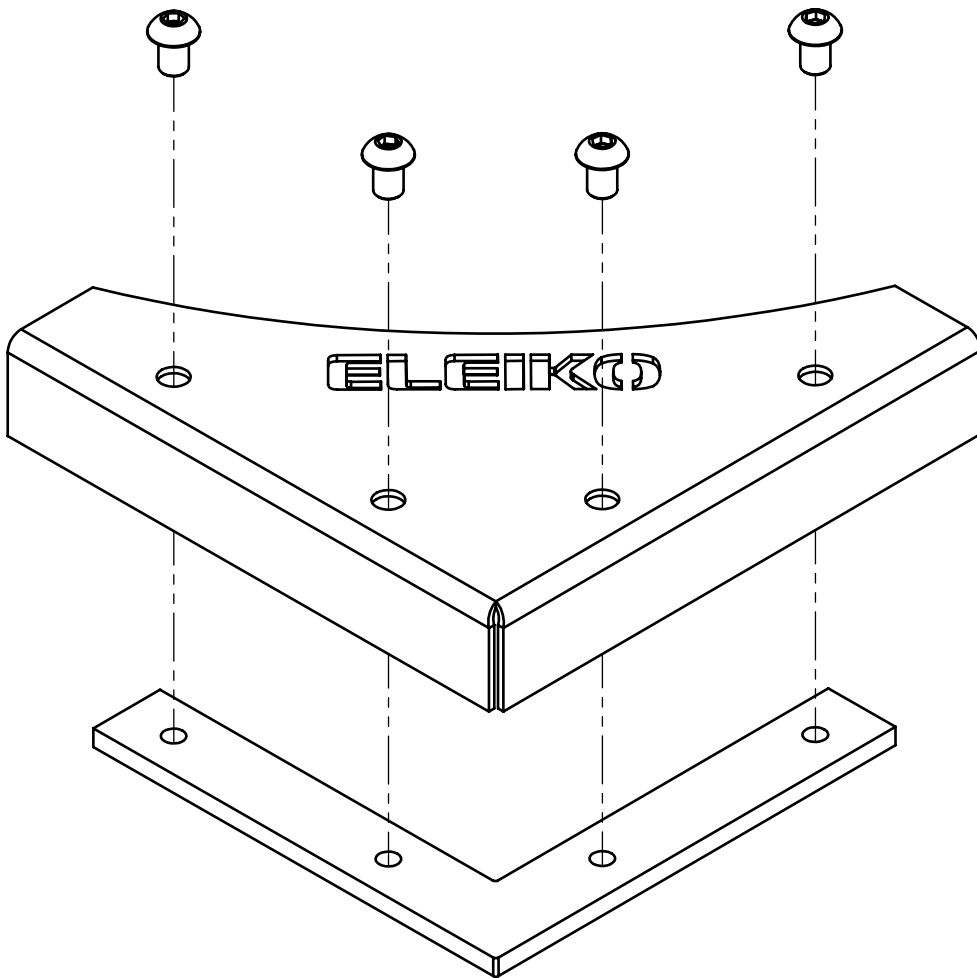
3085380

16x



2000747-L12

4x



LOOSE SCREWS!

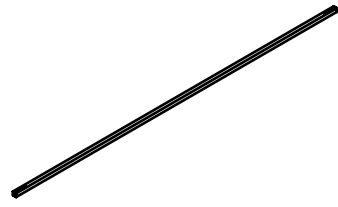
3.

1x

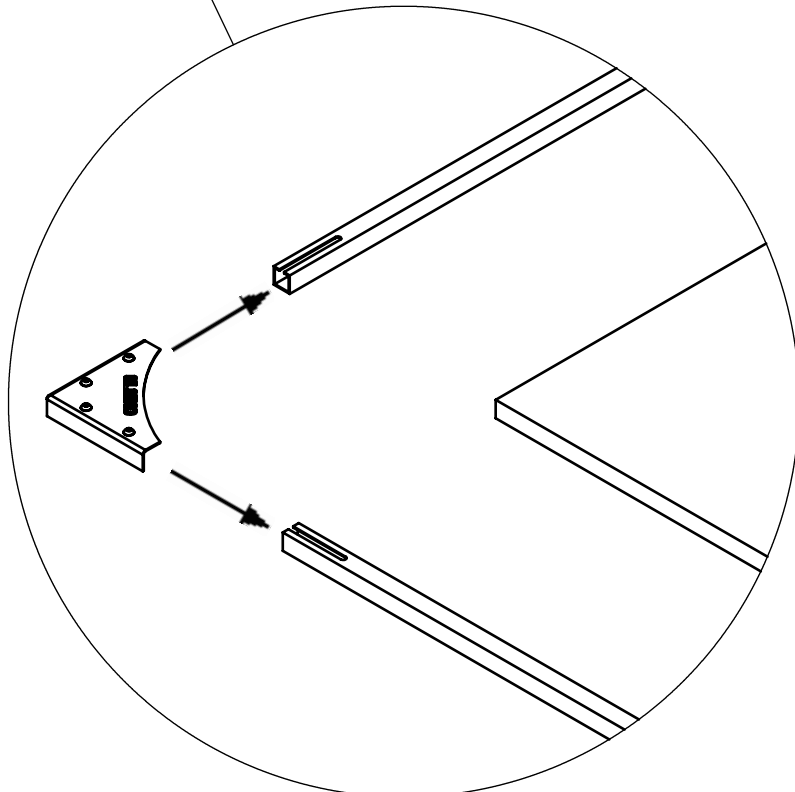
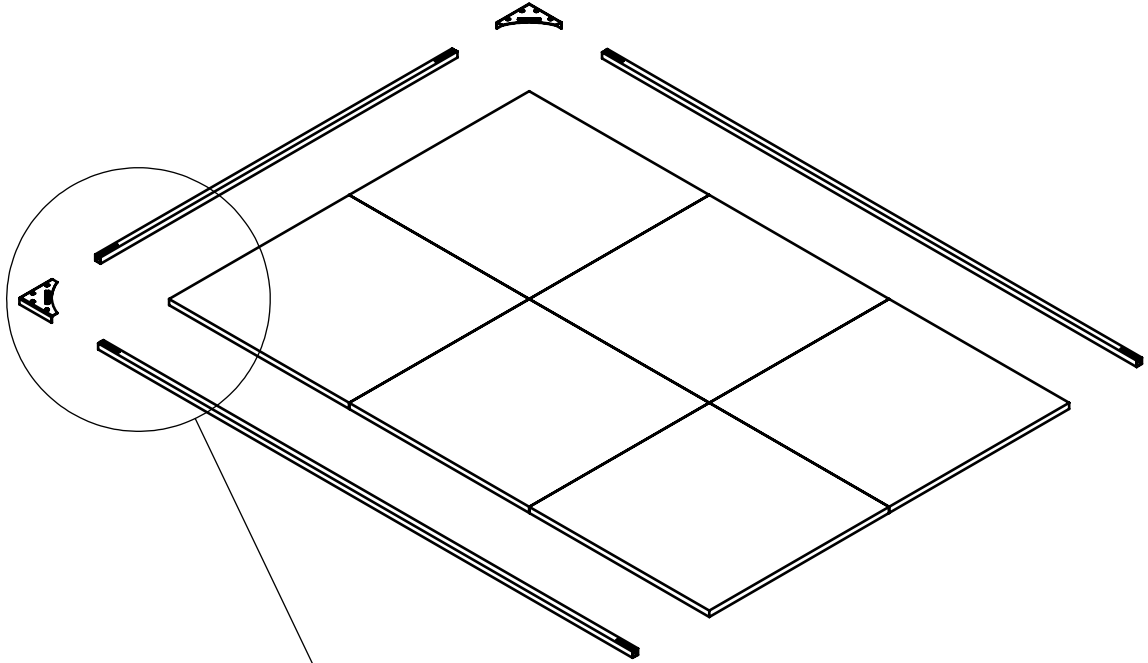


3085600p1

2x



3085600p2

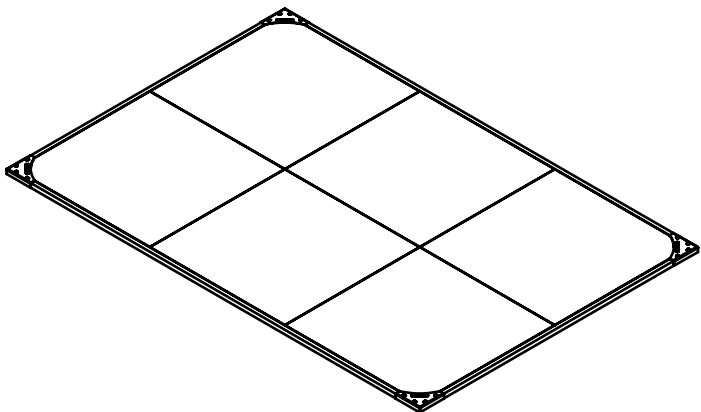
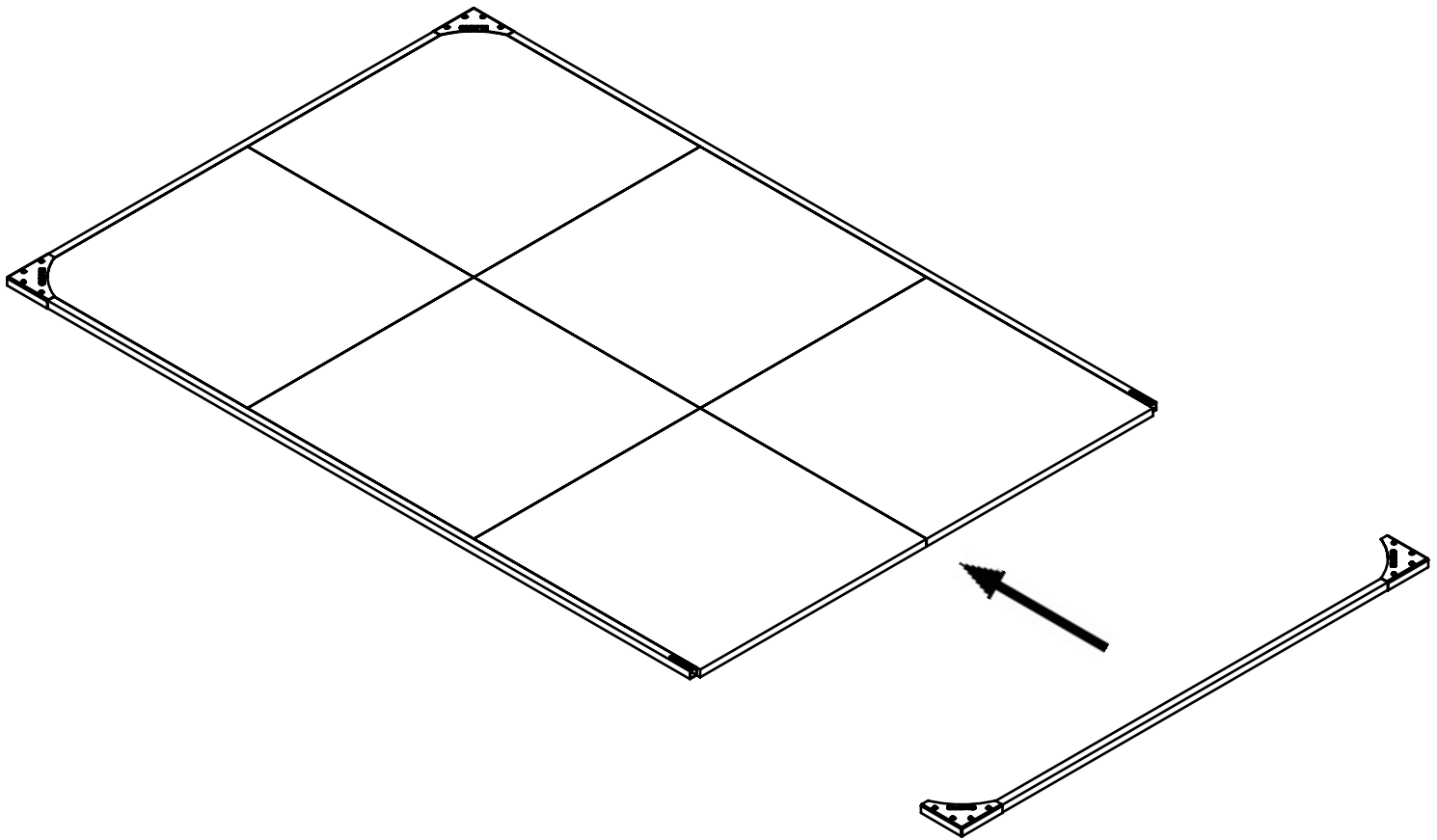


4.

1x



3085600p1



TIGHTEN FRAME AND SCREWS!

USER GUIDE

PURPOSE

Protect equipment, facility and clearly define lifting space.

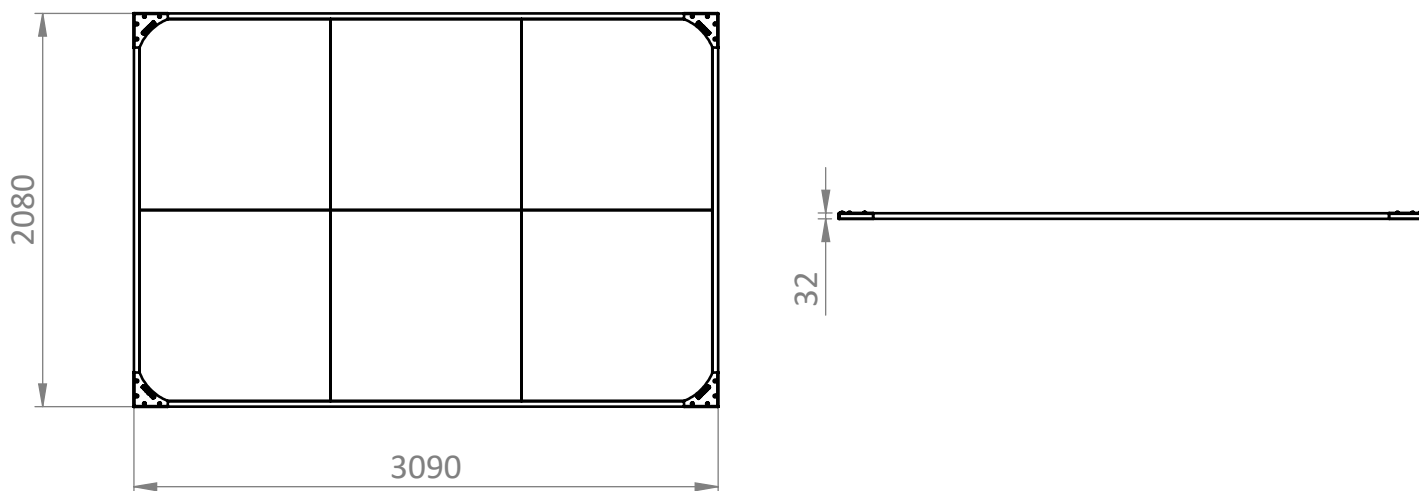
GENERAL INSTRUCTIONS FOR USE

1. For indoor use only.

PRODUCT SPECIFICATION

Product weight 204 kg / 450 lbs

Dimensions (L x W x H) 2080 x 3090 x 32 mm
81,9 x 121,7 x 1,3 "



CARE AND MAINTENANCE

PREVENTIVE MAINTENANCE AND INSPECTIONS

NOTE: The safety level of the equipment can only be maintained if it is examined regularly for damage and wear.

- Platforms must be installed on a level solid subsurface.
- Platform use does not eliminate potential sub floor damage; extra protection may be needed to mitigate the impact force. We recommend 10mm rubber + 2x20mm plywood as an under layer. This must be evaluated and tested on-site before installation.

Regularly:

- Clean surfaces on the frames and tubes from dust and dirt.
- Check that all bolts between parts, walls and floors are properly tightened, according to recommendations.
- Check equipment for sharp edges. Replace parts with sharp edges.
- Check equipment structural frames and welds to ensure they are free from cracks, irregularities or any other abnormalities. If in doubt, consult an Eleiko representative before product use.

Cleaning and Care:

- Vacuum platforms to remove dirt and debris from lifting surfaces.
- Clean/mop platforms with a mild detergent as needed
- For disinfection, we recommend alcohol-free, bleach-free, and o-phenylphenol (OPP) ammonia free wipes. Alcohol and chlorine-based disinfectants can cause the rubber to deteriorate over time.

See also www.eleiko.com.

SPARE PARTS AND SERVICE

Contact Eleiko for spare parts and service:

Eleiko Group AB | Klastorpsvägen 18 | SE-302 62 HALMSTAD | Sweden
E-mail: info@eleiko.com | Phone: +46 35 17 70 70
www.eleiko.com

WARRANTY

All products manufactured by ELEIKO are warranted to the original purchaser to be free from defects in workmanship and / or materials under normal use or service as follows:

- 10 years on structural frame welds (NOT on moving parts).
- 1 year on wear and tear parts.

Normal wear and tear do not fall under the 10-year warranty.

ELEIKO

Eleiko Group AB | Klastorpsvägen 18 | SE-302 62 HALMSTAD | Sweden
E-mail: info@eleiko.com | Phone: +46 35 17 70 70

www.eleiko.com