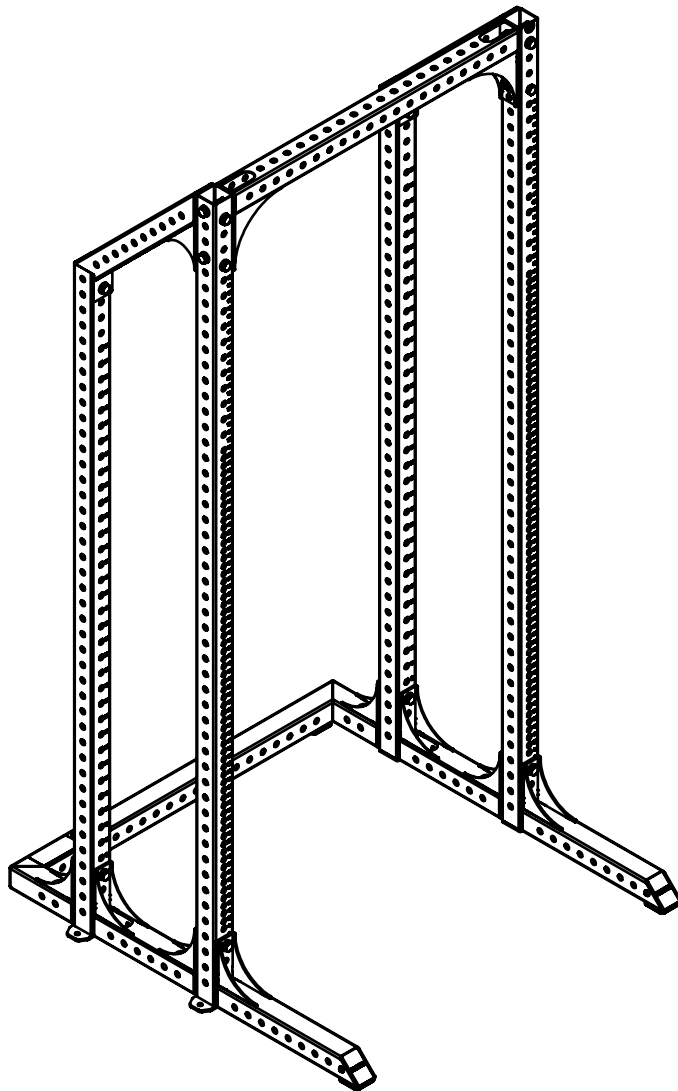


ELEIKO PRESTERA TALL HALF RACK FRAME - STAINLESS

Art.no. 3085620



ELEIKO

CONTENTS

Read before installation and use	4
Safety instructions	4
Warning labels	5
List of components	6
Assembly instructions	8
Tools needed	8
User guide	21
Purpose	21
General instructions for use	21
Product specifications	21
Care and maintenance	22
Preventive maintenance and inspections	22
Spare parts and service	22
Warranty	22

READ BEFORE INSTALLATION AND USE

Install and use this equipment in a place where access and supervision are specifically controlled by the owner.

Be sure to install the equipment on a stable base and level the equipment properly. Eleiko recommends that all equipment is secured to floor and installed by a licensed contractor or an Eleiko installer.

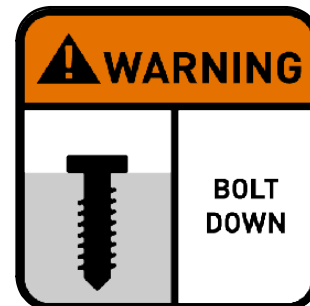
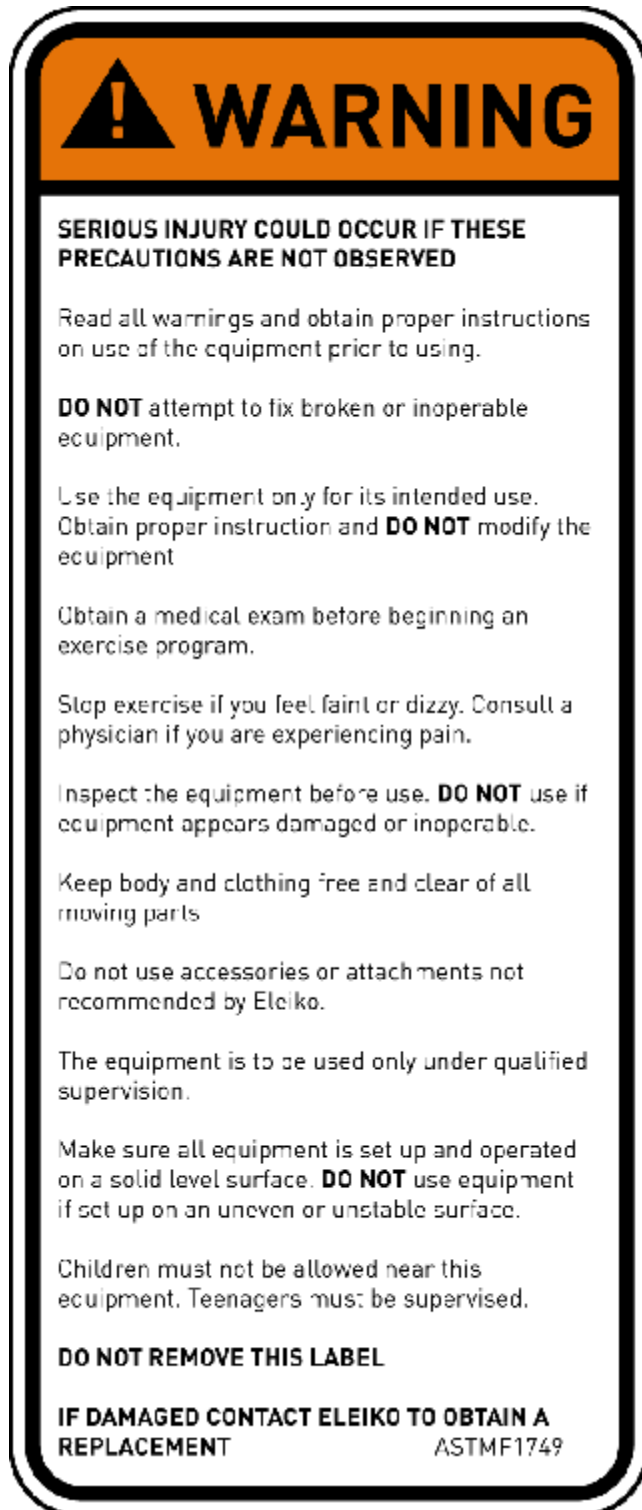
This equipment is intended for indoor use only.

SAFETY INSTRUCTIONS

It is the responsibility of the purchaser of ELEIKO products to instruct all users and supervising personnel on proper usage of the equipment.

1. All included warnings (labels) and instructions **MUST** be read before the use of any Eleiko equipment. Only use the equipment as it is intended.
2. A user **MUST** get a medical examination and proper instructions before using any Eleiko equipment.
3. **DO NOT** let anyone, under any circumstances, use equipment that appears to be damaged. Do not try to repair any equipment before consulting an Eleiko technician.
4. **DO NOT** replace components of Eleiko equipment with other, none Eleiko, equipment (magnetic safety pin, frames, bars etc.). Do not improvise! If there are any doubts, consult an Eleiko representative prior to any intervention.
5. **DO NOT** overload the equipment and **DO NOT** try to exceed personal strength levels.
6. Children under the age of 14 must be supervised by an adult.
7. **DO NOT** remove any safety labels from the Eleiko equipment. Eleiko is not responsible if a label is removed. Replace damaged labels immediately.
8. Eleiko packaging for products can be made of wood. Be aware of splinters! You **MUST** use protective gloves and proper work wear.
9. Eleiko packaging material could be a risk when handling. Be aware of crushing! You **MUST** use work wear including protective gloves and hard shoes.
10. Eleiko products and packing material are heavy, You **MUST** use proper lifting techniques, work wear and hard shoes.

WARNING LABELS



LIST OF COMPONENTS

2x



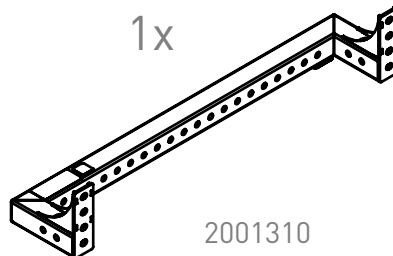
2001537

2x



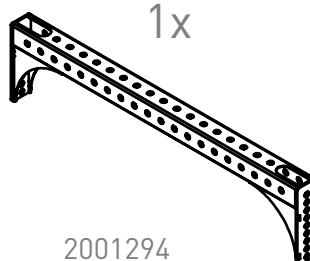
2001548

1x



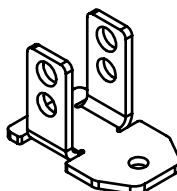
2001310

1x



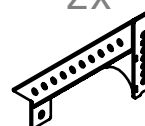
2001294

4x



2001373

2x



2001299

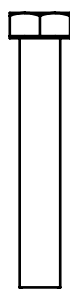
Screw kit 2001386

6x



M16x110
2001385-L110

12x



M16x100
2001385-L100

16x



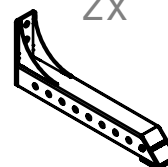
2001379

34x



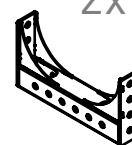
2001421

2x



2001302

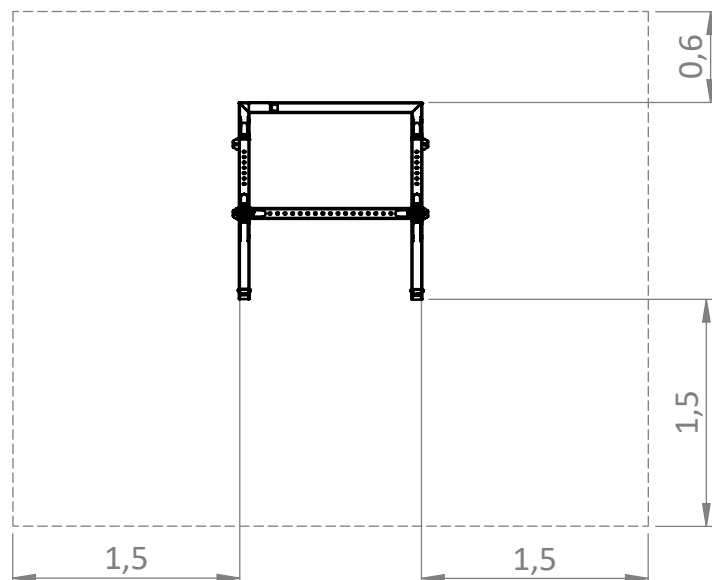
2x



2001317

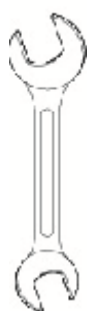
ASSEMBLY INSTRUCTIONS

Before assembly, make sure you have enough clearance on all sides of the equipment, not less than 0,6 meter. Take in account the accessibility to remove and replace bar and weights.



TOOLS NEEDED

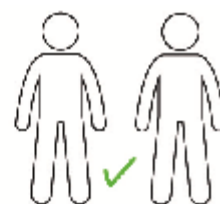
You need the following tools to assemble the equipment.



Wrench
24 mm

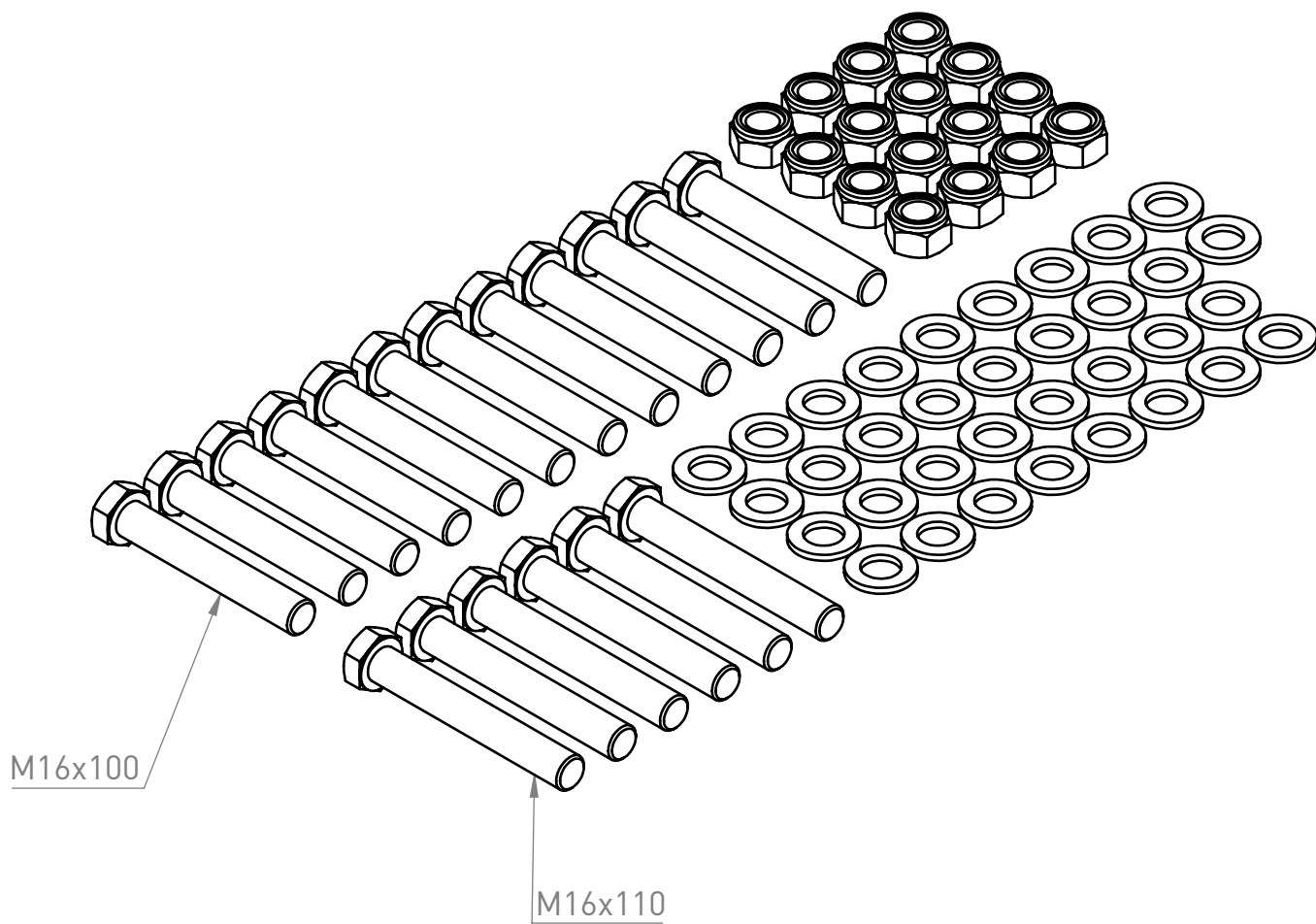


Socket wrench
24 mm



NOTE: Do not use electric power tools for assembly.

PREPARATION



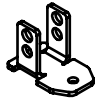
1.

1x

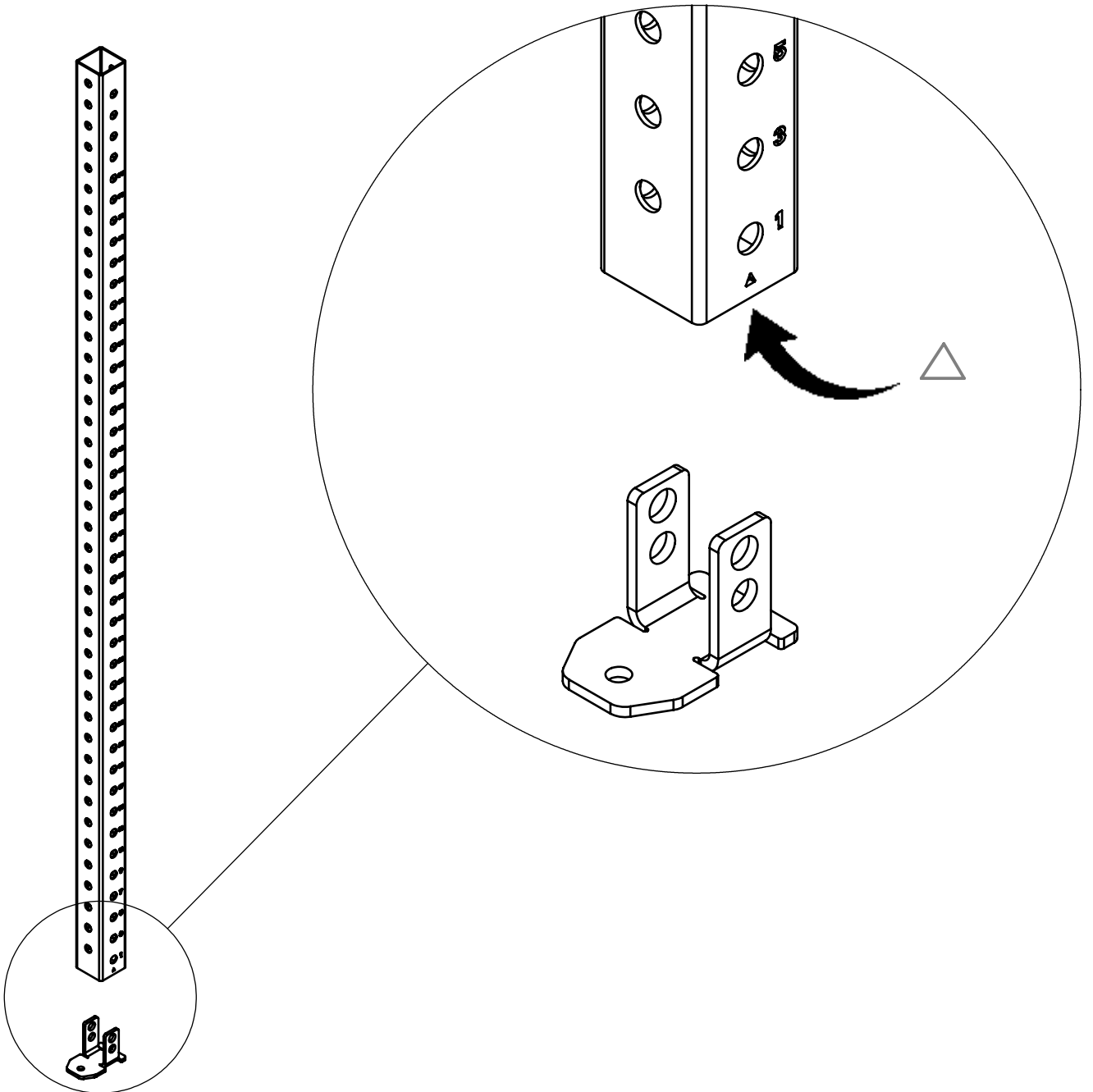


2001548

1x



2001373



2.

2x



M16x110

2x



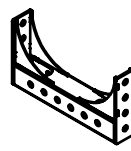
2001379

4x



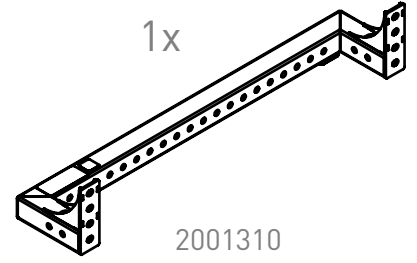
2001421

1x



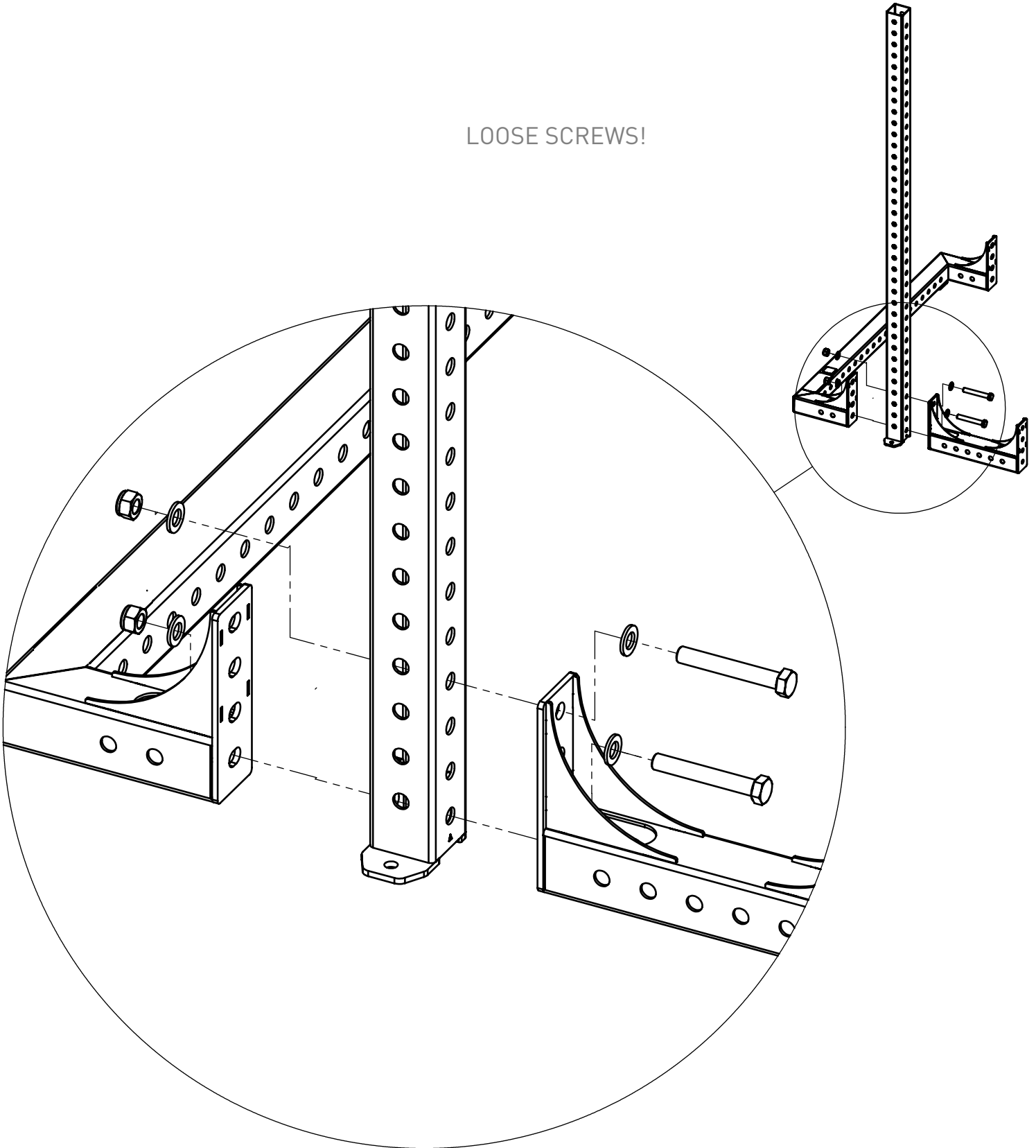
2001317

1x



2001310

LOOSE SCREWS!



3.

1x

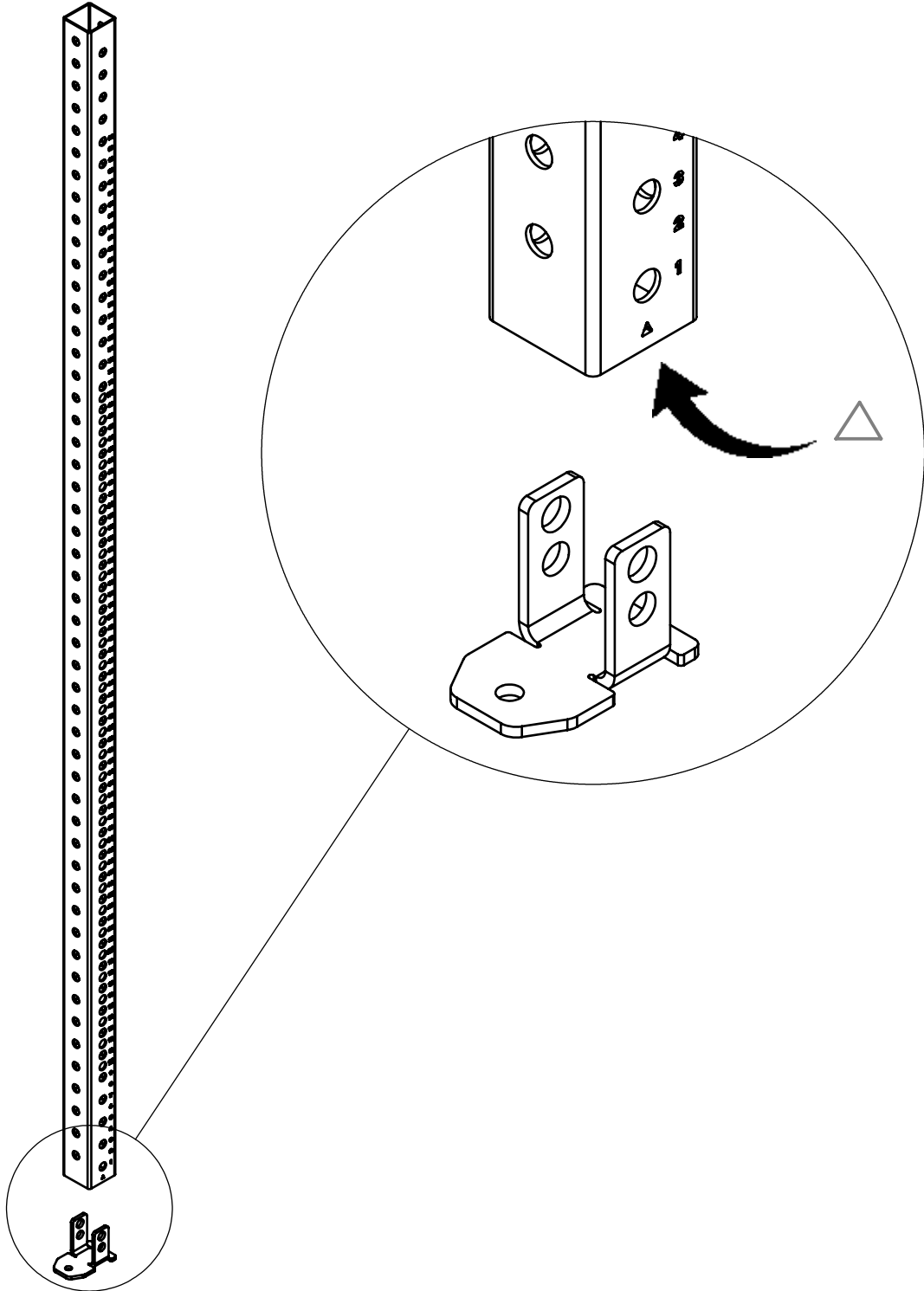


2001537

1x

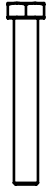


2001373



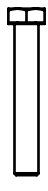
4.

1x



M16x110

1x



M16x100

1x



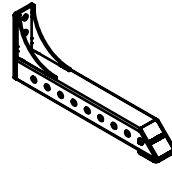
2001379

3x



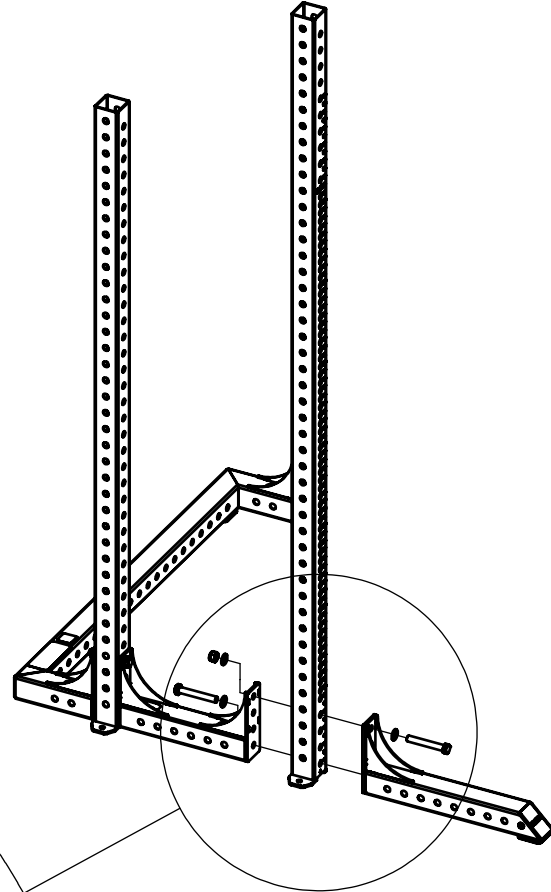
2001421

1x



2001302

LOOSE SCREWS!

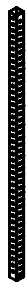


M16x100

M16x110

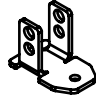
5.

1x

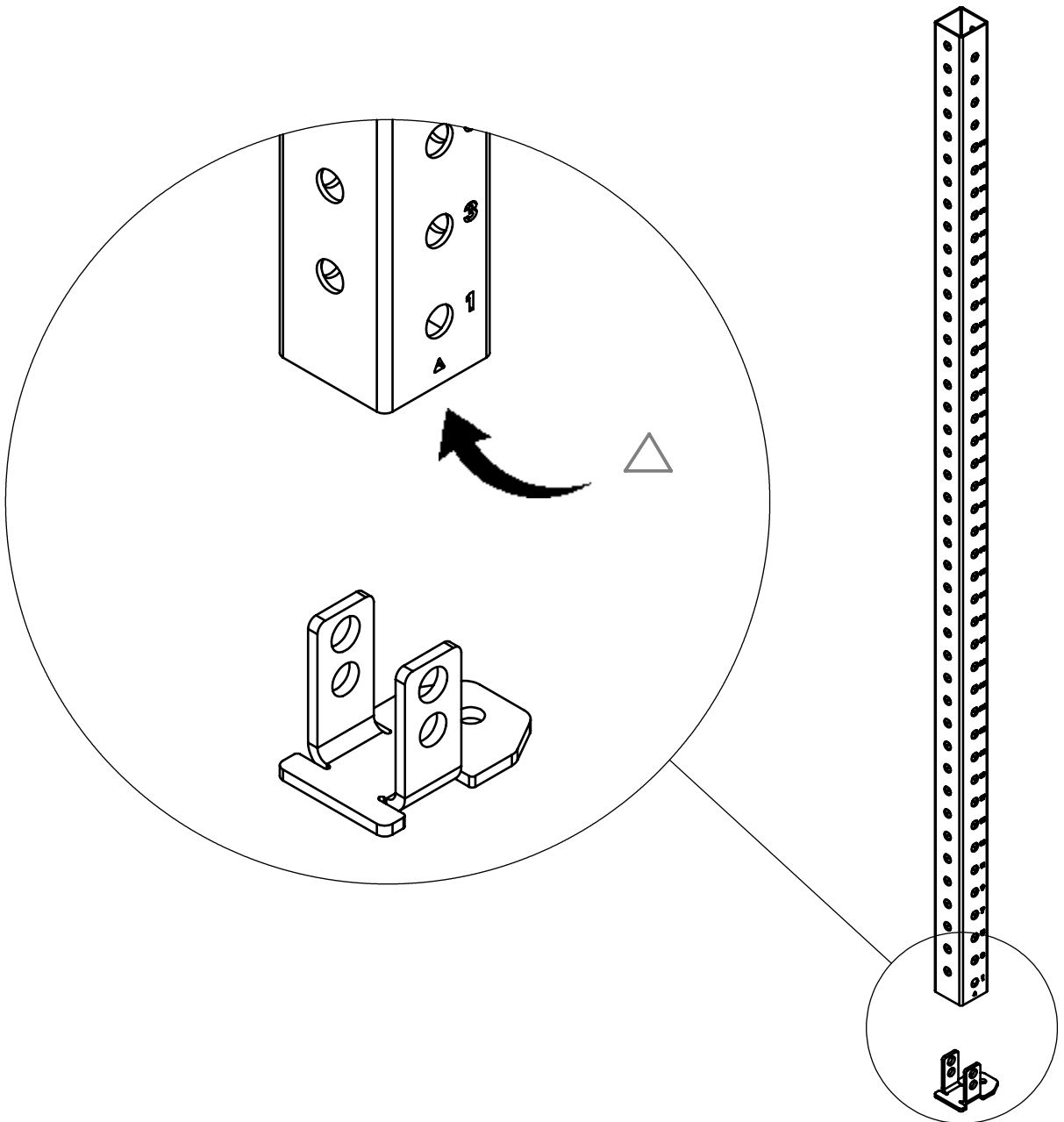


2001548

1x



2001373



6.

2x



M16x110

2x



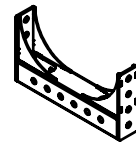
2001379

4x



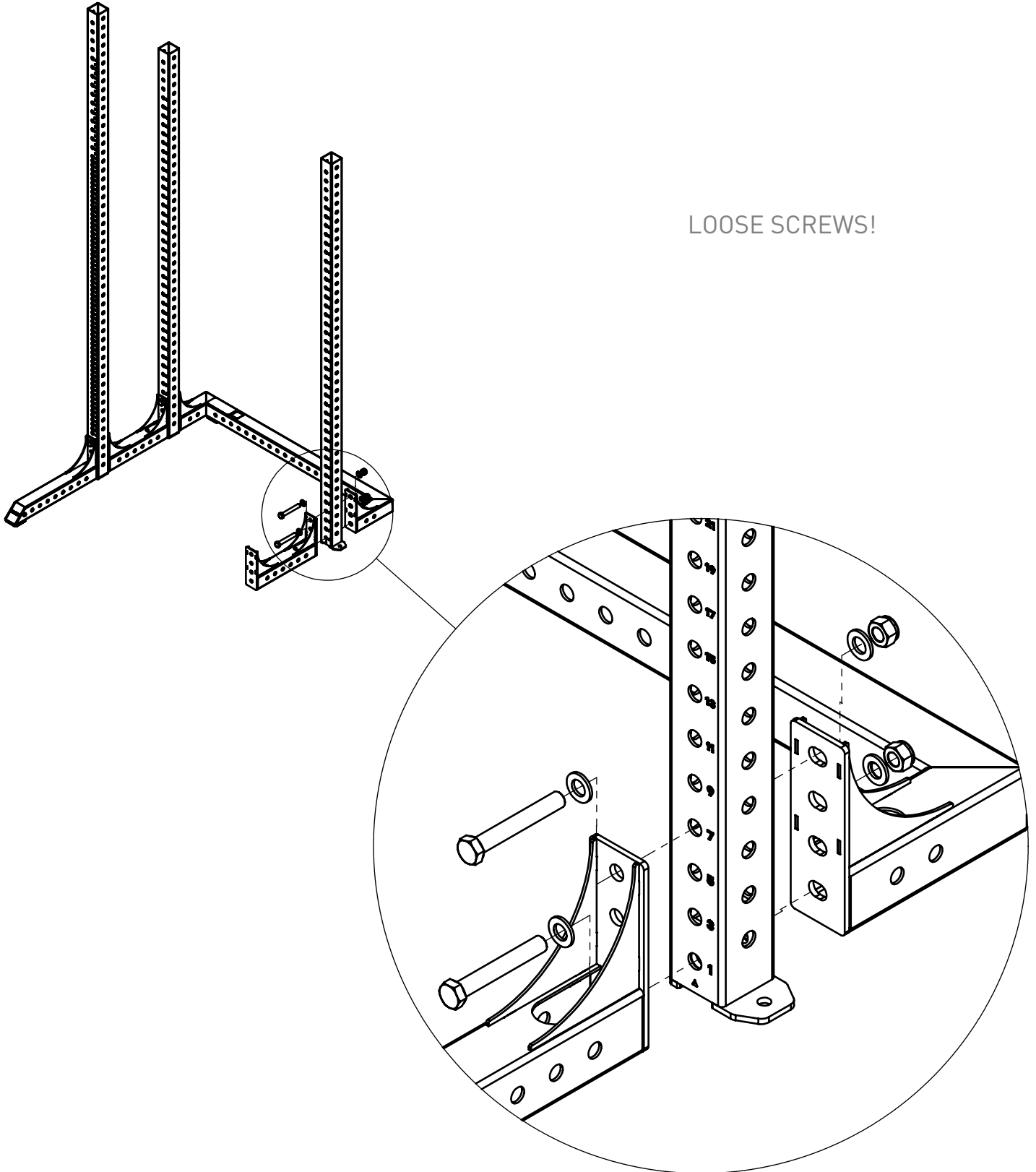
2001421

1x

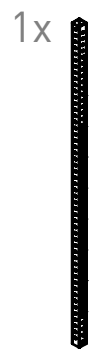


2001317

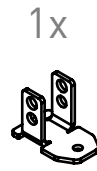
LOOSE SCREWS!



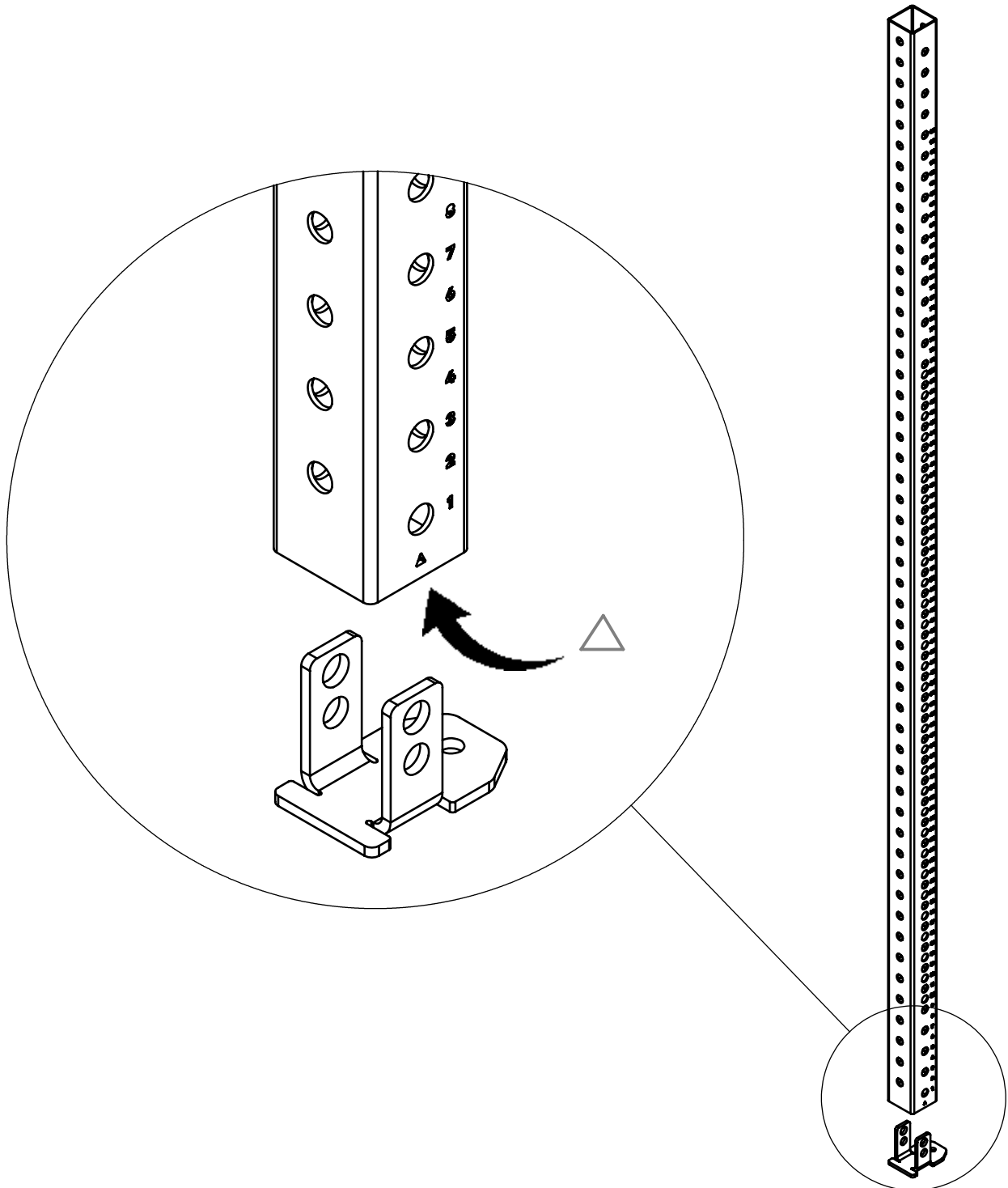
7.



2001537



2001373



8.

1x



M16x110

1x



M16x100

1x



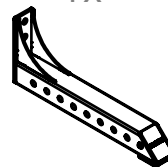
2001379

3x

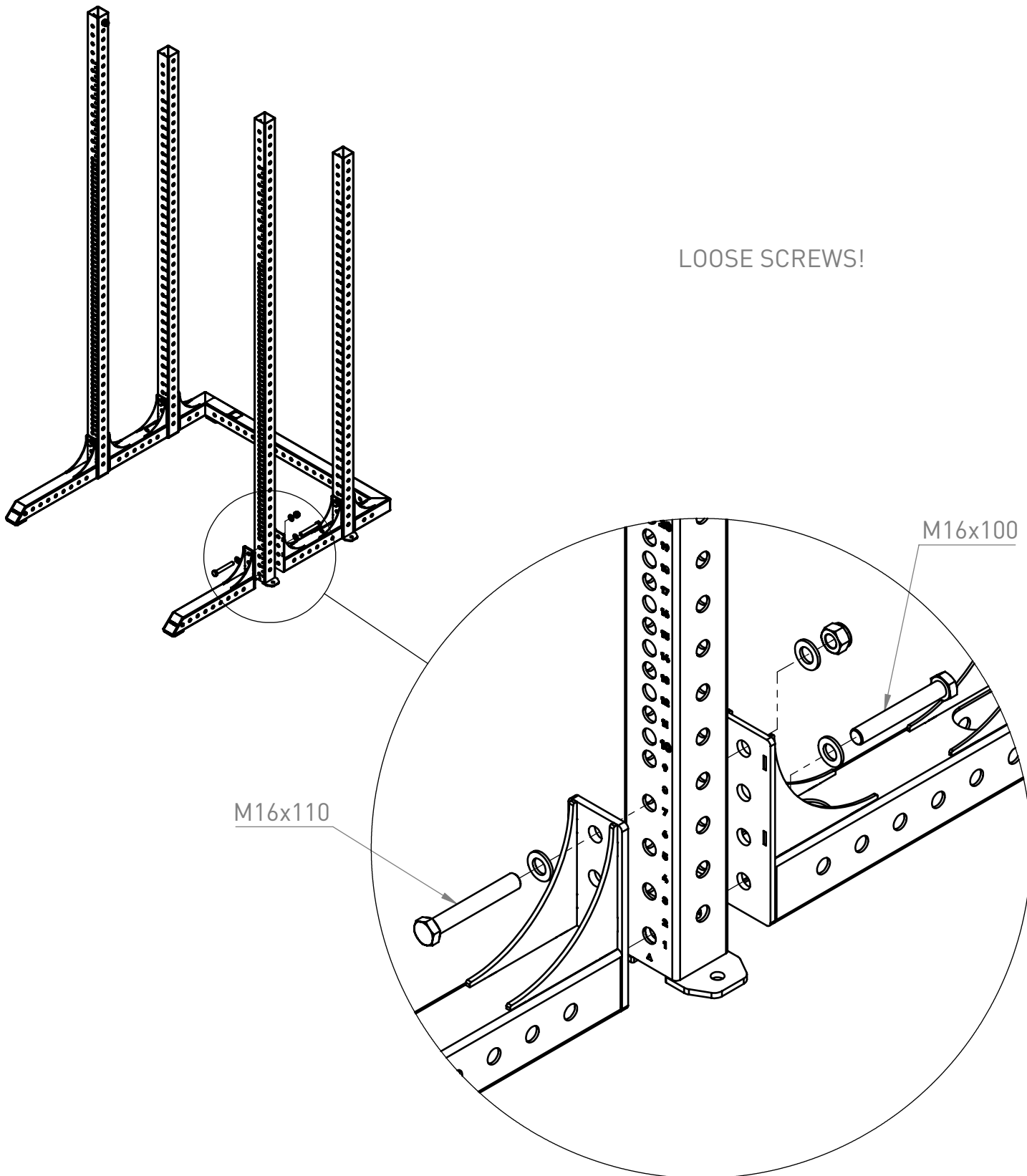


2001421

1x

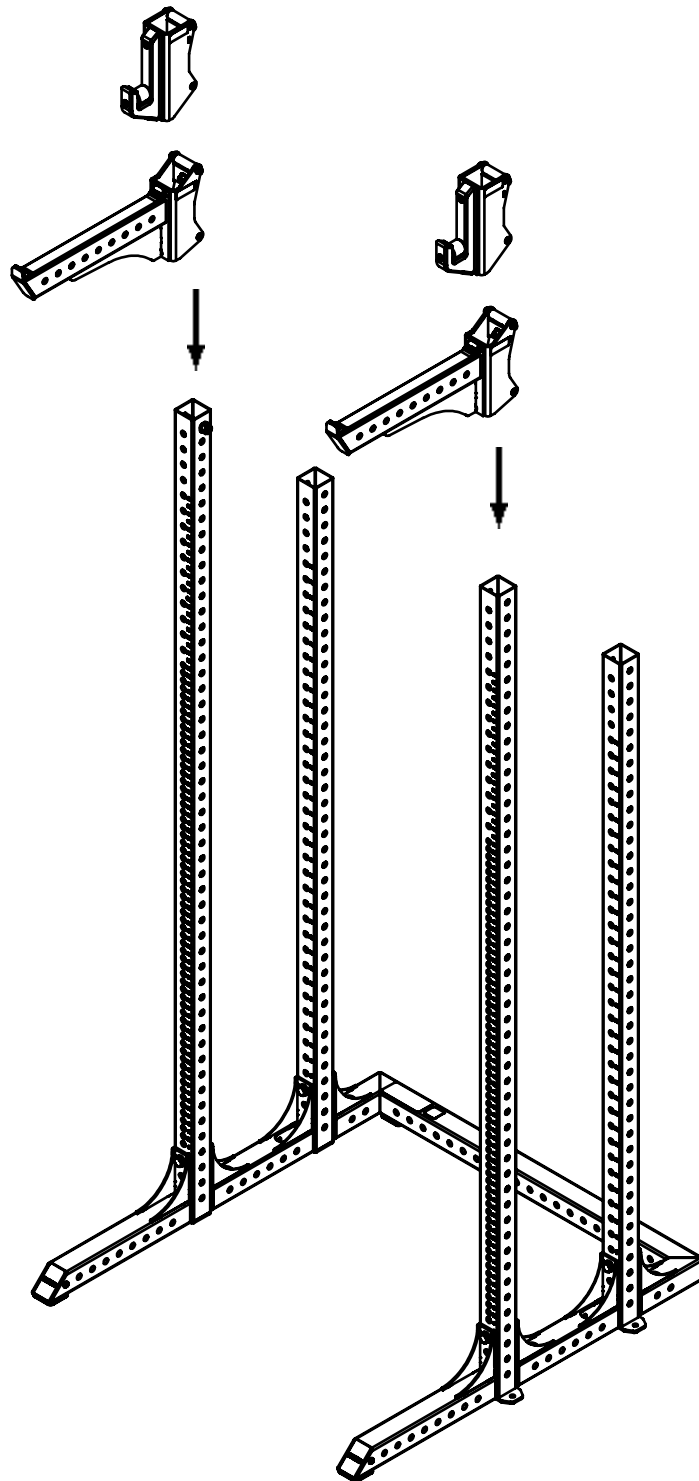


2001302



9.

If purchased J-cup and Safety arm on sled, assemble them now.



10.

4x



M16x100

4x



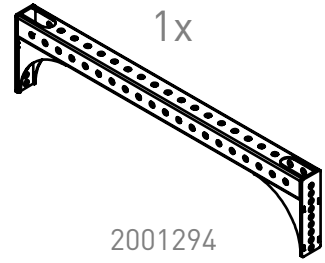
2001379

8x

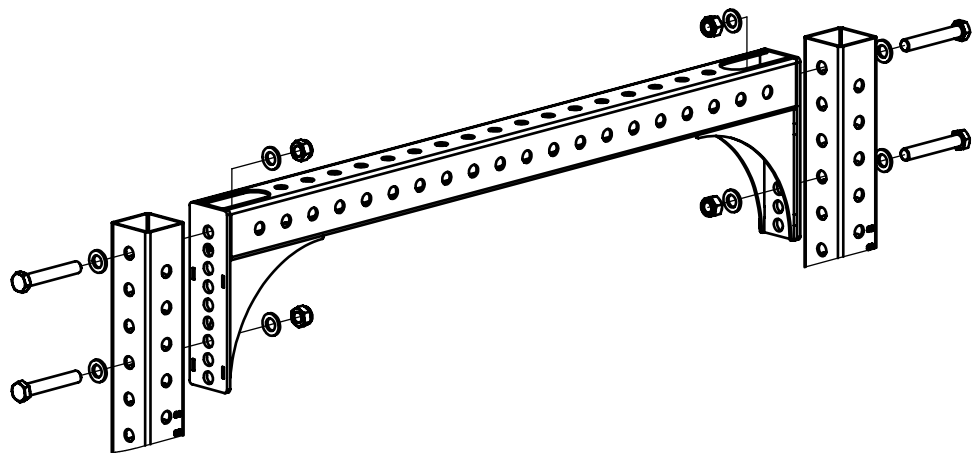
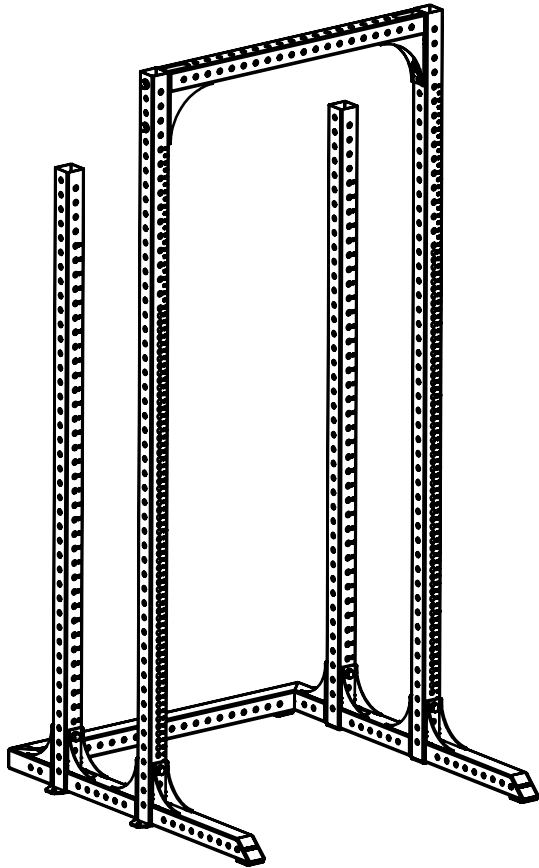


2001421

1x

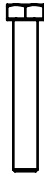


2001294



11.

6x



M16x100

6x



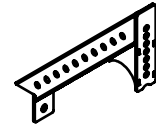
2001379

12x

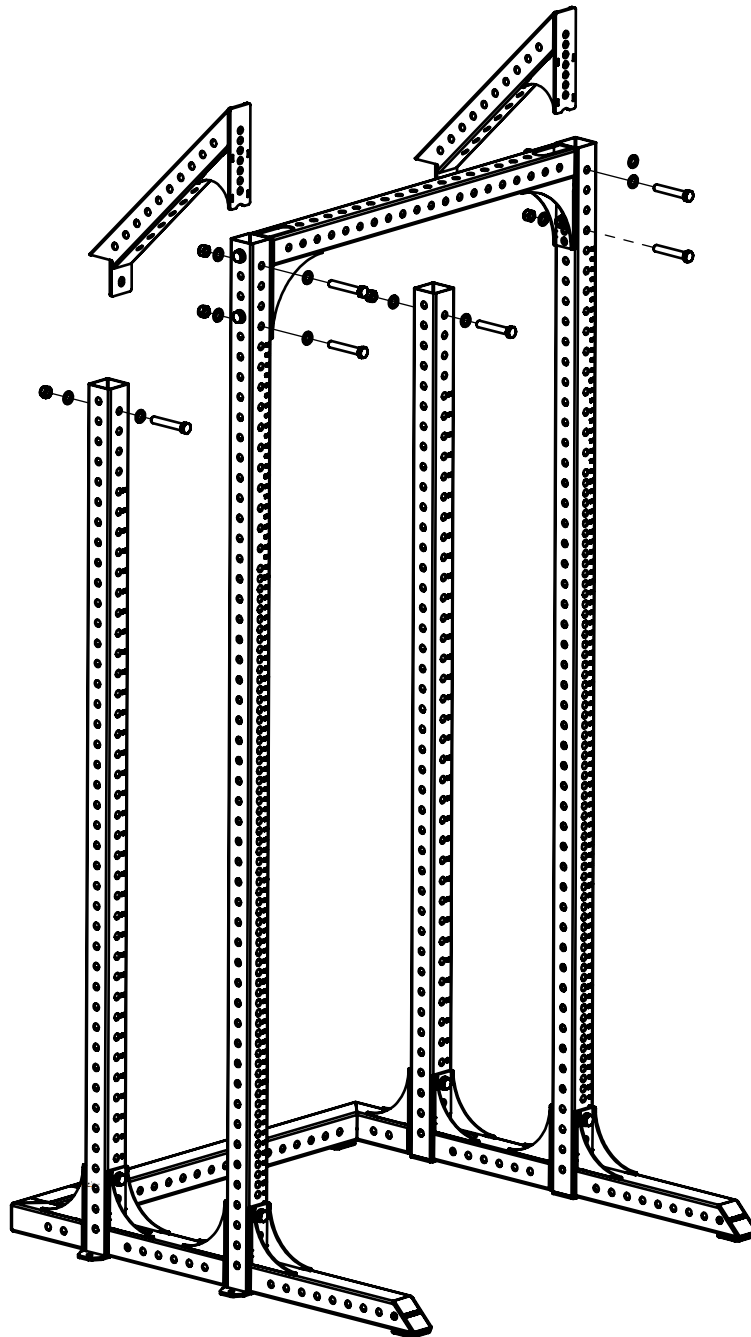


2001421

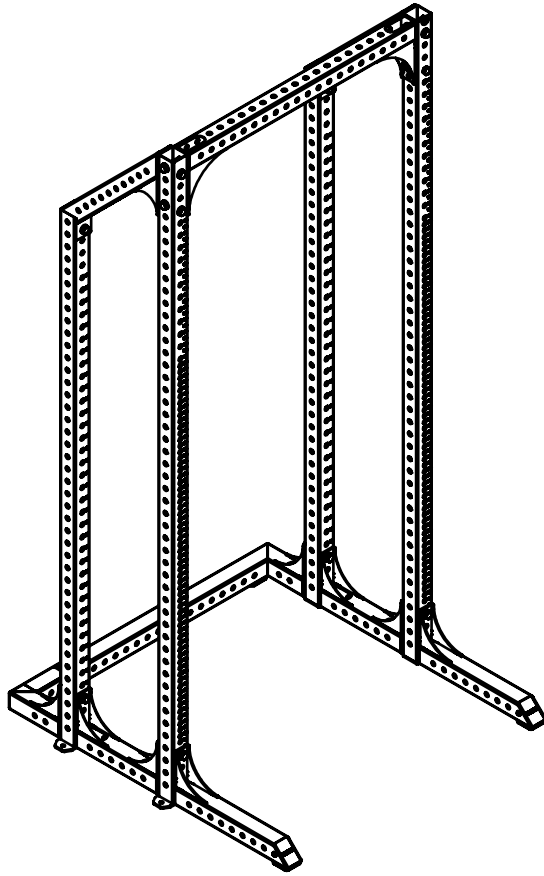
2x



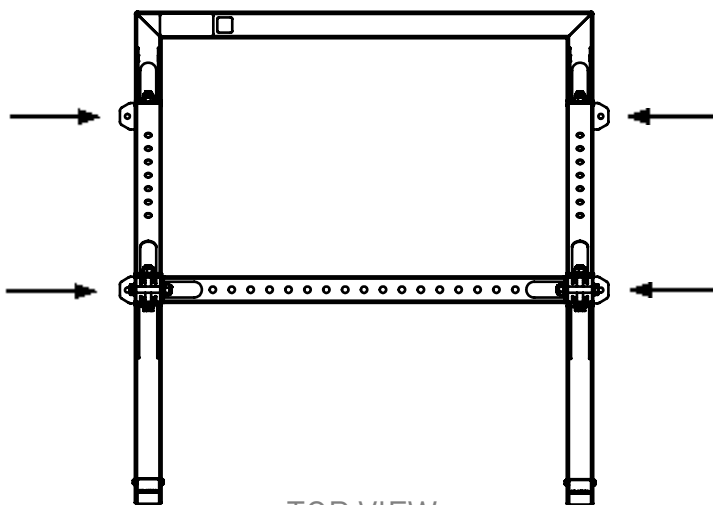
2001299



12.



TIGHTEN ALL
SCREWS!



TOP VIEW



USER GUIDE

PURPOSE

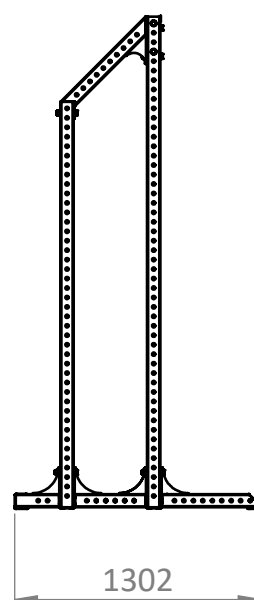
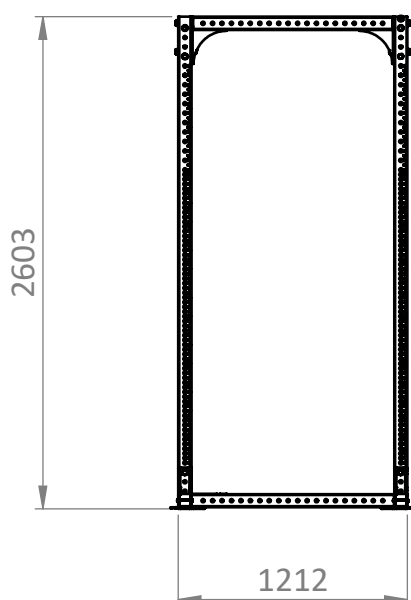
This product is for barbell training and for attachments for specific exercises.

GENERAL INSTRUCTIONS FOR USE

1. Add attachment for the selected exercise.
2. Follow instructions for that specific attachment.

PRODUCT SPECIFICATION

Max training weight	500 kg / 1102 lbs
Product weight	104.5 kg / 230.4 lbs
Dimensions (L x W x H)	1302 x 1212 x 2603 mm 51.3 x 47.7 x 102.5"



CARE AND MAINTENANCE

PREVENTIVE MAINTENANCE AND INSPECTIONS

NOTE: The safety level of the equipment can only be maintained if it is examined regularly for damage and wear.

Regularly:

- Clean surfaces on the frames and tubes from dust and dirt.
- Check that all bolts between parts, walls and floors are properly tightened, according to recommendations.
- Check equipment for sharp edges. Replace parts with sharp edges.
- Check equipment structural frames and welds to ensure they are free from cracks, irregularities or any other abnormalities. If in doubt, consult an Eleiko representative before product use.

Cleaning and Care:

- Apply a mild soap detergent to a lint free cloth, then wipe down product surface.
- While it is safe to use an alcohol-based neutral pH7 solution on surface-treated steel elements of the benches and racks, take care to avoid pads and cushions.
- We recommend alcohol-free, bleach-free, and o-phenylphenol (OPP) ammonia-free wipes.

See also www.eleiko.com.

SPARE PARTS AND SERVICE

Contact Eleiko for spare parts and service:

Eleiko Group AB | Klastorpsvägen 18 | SE-302 62 HALMSTAD | Sweden
E-mail: info@eleiko.com | Phone: +46 35 17 70 70
www.eleiko.com

WARRANTY

All products manufactured by ELEIKO are warranted to the original purchaser to be free from defects in workmanship and / or materials under normal use or service as follows:

- 10 years on structural frame welds (NOT on moving parts).
- 1 year on wear and tear parts.

Normal wear and tear do not fall under the 10-year warranty.

ELEIKO

Eleiko Group AB | Klastorpsvägen 18 | SE-302 62 HALMSTAD | Sweden
E-mail: info@eleiko.com | Phone: +46 35 17 70 70

www.eleiko.com