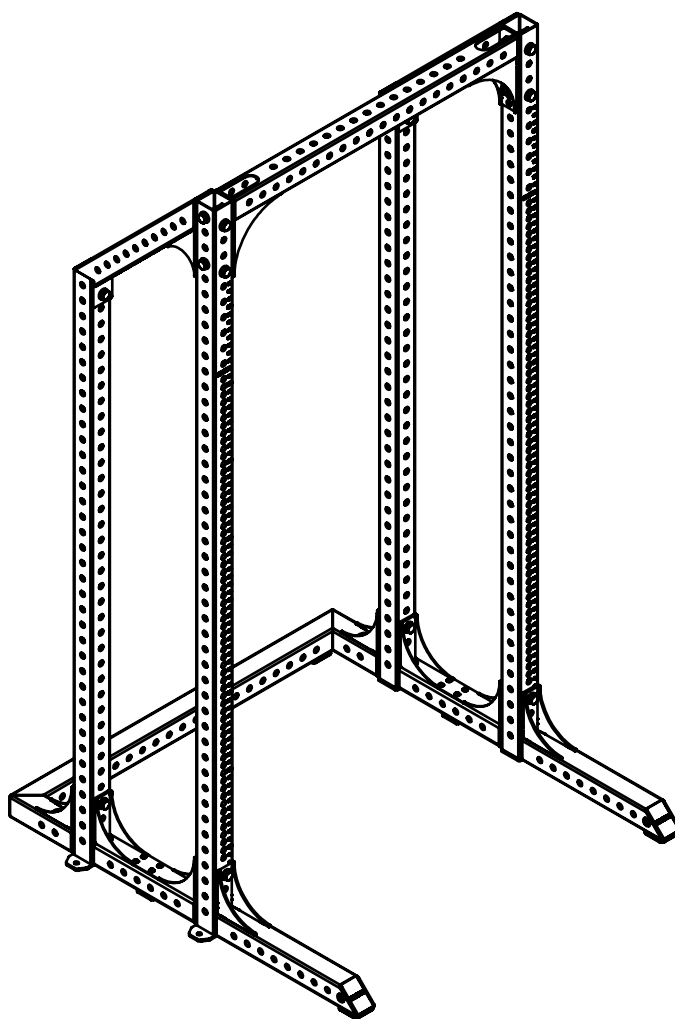


ELEIKO PRESTERA HALF RACK

Art.no. 3085456, 3085461, 3085634, 3085720



ELEIKO

CONTENTS

Read before installation and use	4
Safety instructions	4
Warning labels	5
Bolt to ground	6
List of components	7
Assembly instructions	10
Tools needed	10
User guide	28
Purpose	28
General instructions for use	28
Product specifications	28
Care and maintenance	29
Preventive maintenance and inspections	29
Spare parts and service	29
Warranty	29

READ BEFORE INSTALLATION AND USE

Install and use this equipment in a place where access and supervision are specifically controlled by the owner.

Be sure to install the equipment on a stable base and level the equipment properly. Eleiko recommends that all equipment is secured to floor and installed by a licensed contractor or an Eleiko installer.

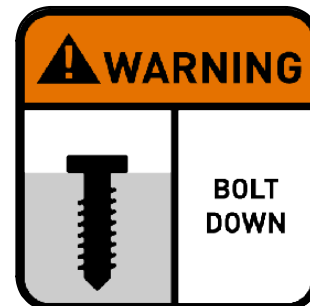
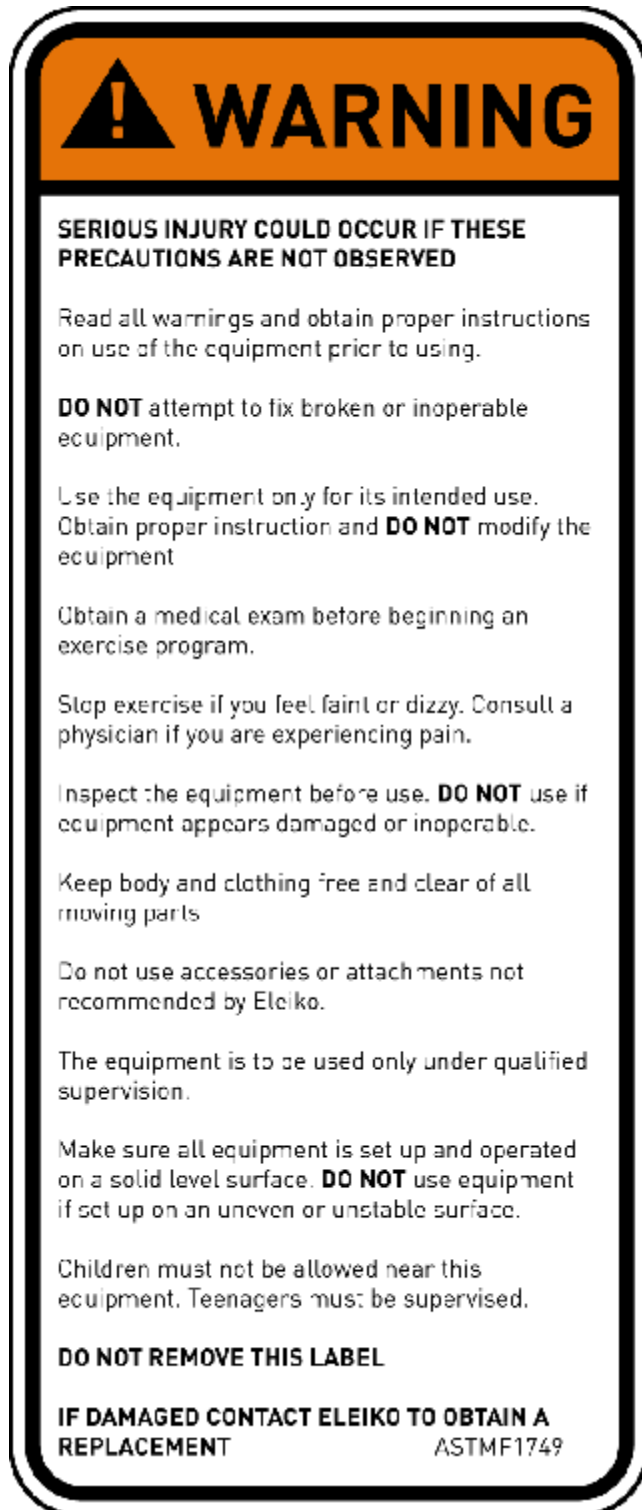
This equipment is intended for indoor use only.

SAFETY INSTRUCTIONS

It is the responsibility of the purchaser of ELEIKO products to instruct all users and supervising personnel on proper usage of the equipment.

1. All included warnings (labels) and instructions **MUST** be read before the use of any Eleiko equipment. Only use the equipment as it is intended.
2. A user **MUST** get a medical examination and proper instructions before using any Eleiko equipment.
3. **DO NOT** let anyone, under any circumstances, use equipment that appears to be damaged. Do not try to repair any equipment before consulting an Eleiko technician.
4. **DO NOT** replace components of Eleiko equipment with other, none Eleiko, equipment (magnetic safety pin, frames, bars etc.). Do not improvise! If there are any doubts, consult an Eleiko representative prior to any intervention.
5. **DO NOT** overload the equipment and **DO NOT** try to exceed personal strength levels.
6. Children under the age of 14 must be supervised by an adult.
7. **DO NOT** remove any safety labels from the Eleiko equipment. Eleiko is not responsible if a label is removed. Replace damaged labels immediately.
8. Eleiko packaging for products can be made of wood. Be aware of splinters! You **MUST** use protective gloves and proper work wear.
9. Eleiko packaging material could be a risk when handling. Be aware of crushing! You **MUST** use work wear including protective gloves and hard shoes.
10. Eleiko products and packing material are heavy, You **MUST** use proper lifting techniques, work wear and hard shoes.

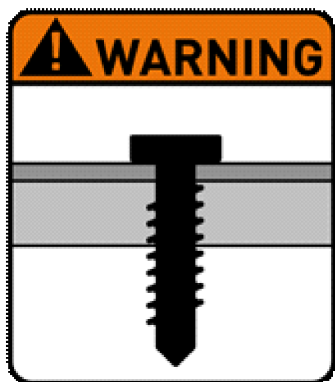
WARNING LABELS



BOLT TO GROUND

This product needs to be bolted to the ground. Make sure the ground is solid and level. Consult a licensed contractor to choose the appropriate anchoring fasteners for your facility.


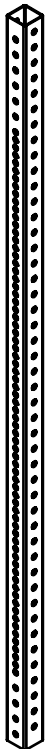

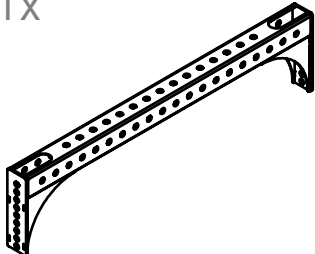
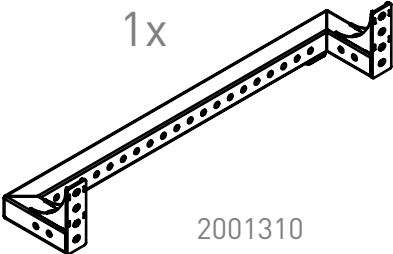
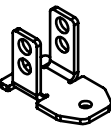
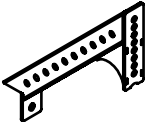
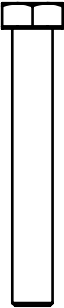
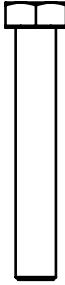


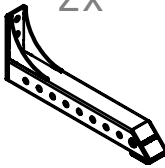
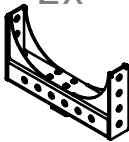
See last page of assembly instructions for the anchoring points positions.



LIST OF COMPONENTS

ELEIKO PRESTERA HALF RACK

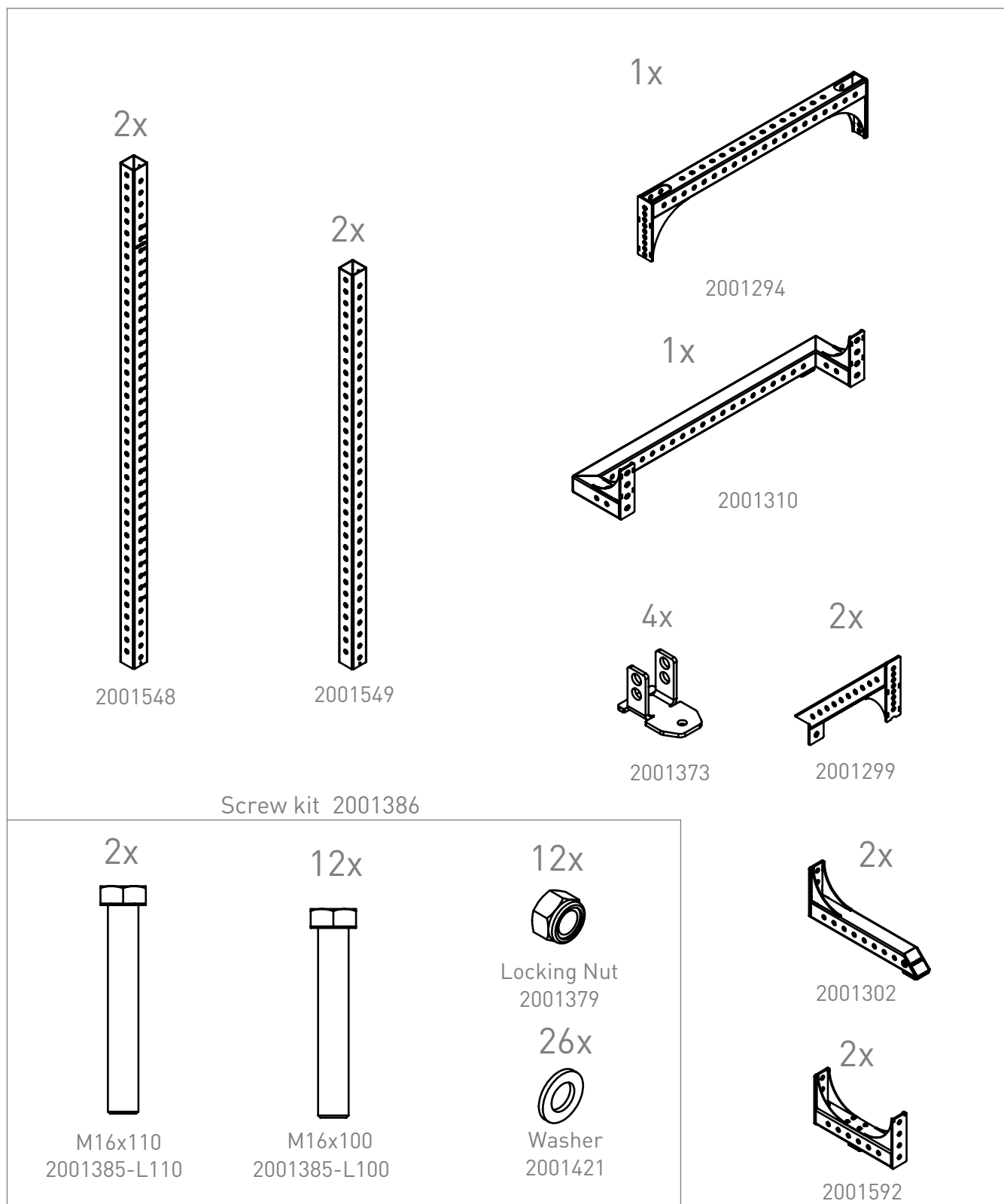
Art.no 3085456, 3085461

<p>2x</p>  <p>2001374 Half Rack 3085456</p> <p>or</p> <p>2x</p>  <p>2001257 Half Rack 3085461</p>	<p>2x</p>  <p>2001320</p> <p>1x</p>  <p>2001294</p> <p>1x</p>  <p>2001310</p> <p>4x</p>  <p>2001373</p> <p>2x</p>  <p>2001299</p> <p>Screw kit 2001386 or 2001608 (Galvanized)</p>
<p>2x</p>  <p>M16 x 110 2001385-L110 or 2001019-L110</p> <p>12x</p>  <p>M16 x 100 2001385-L100 or 2001019-L100</p> <p>12x</p>  <p>Locking Nut 2001379 or 2001609</p> <p>26x</p>  <p>Washer 2001421 or 2001610</p>	<p>2x</p>  <p>2001302</p> <p>2x</p>  <p>2001592</p>

LIST OF COMPONENTS

ELEIKO PRESTERA HALF RACK - SHORT



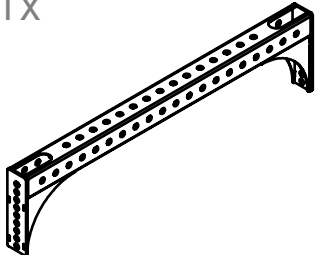
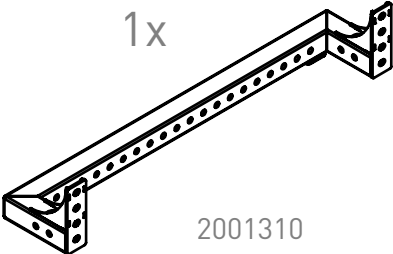
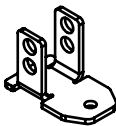
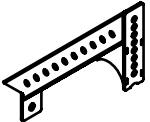
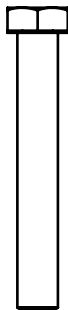
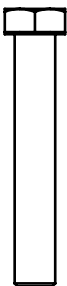

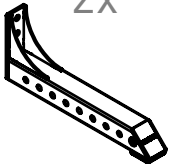

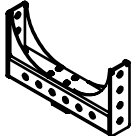
Art.no 3085634



LIST OF COMPONENTS

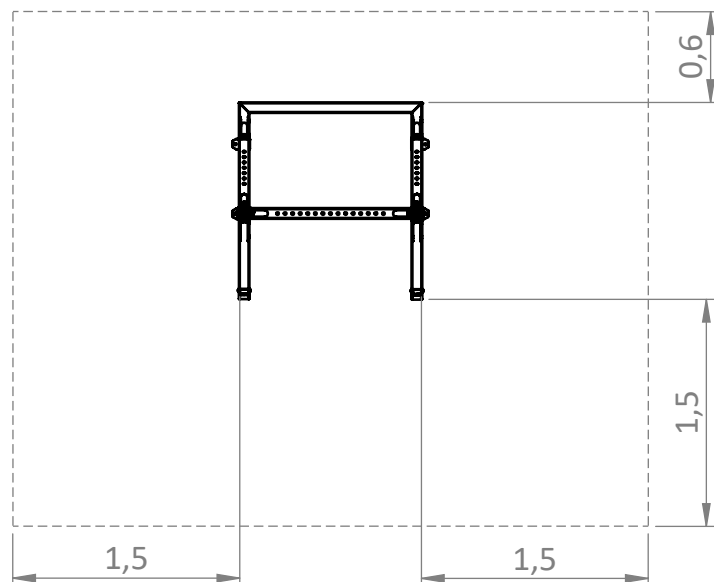
ELEIKO PRESTERA HALF RACK - TALL

Art.no 3085720

2x  2001537	2x  2001548	1x  2001294	1x  2001310
Screw kit 2001386		4x  2001373	2x  2001299
2x  M16x110 2001385-L110	12x  M16x100 2001385-L100	12x  Locking Nut 2001379	2x  2001302
		26x  Washer 2001421	2x  2001592

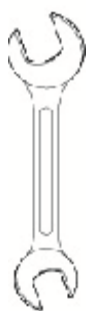
ASSEMBLY INSTRUCTIONS

Before assembly, make sure you have enough clearance on all sides of the equipment, not less than 0,6 meter. Take in account the accessibility to remove and replace bar and weights.



TOOLS NEEDED

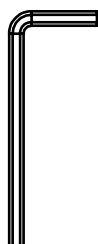
You need the following tools to assemble the equipment.



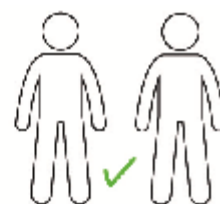
Wrench
24 mm



Socket wrench
24 mm

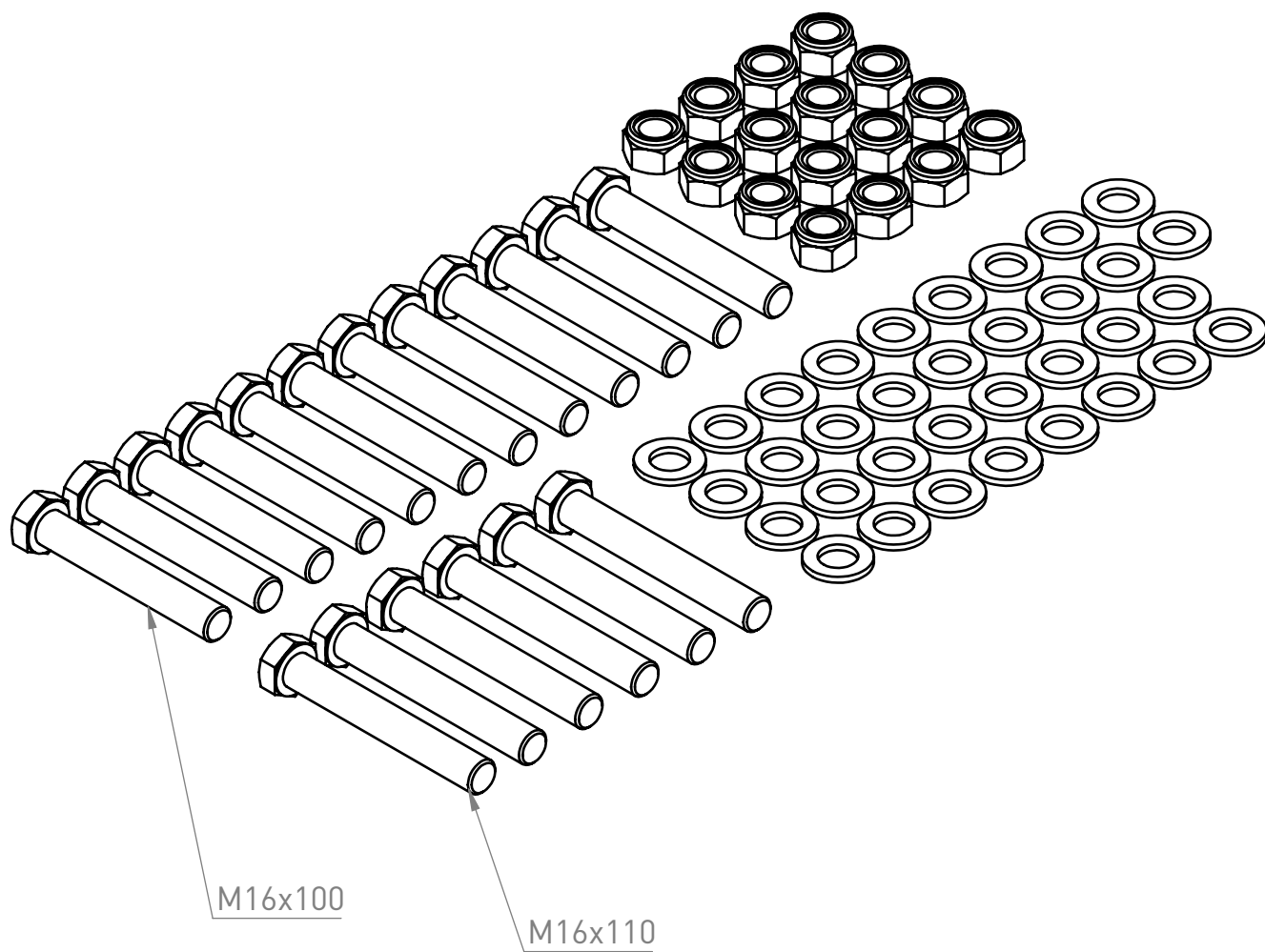


Allen Key Size 5



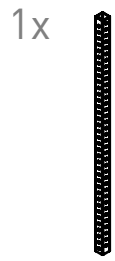
40 Nm

PREPARATION

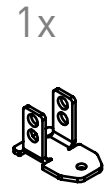


Note: Unbox 2001294 for additional bolts, locking nuts and washers.

1.

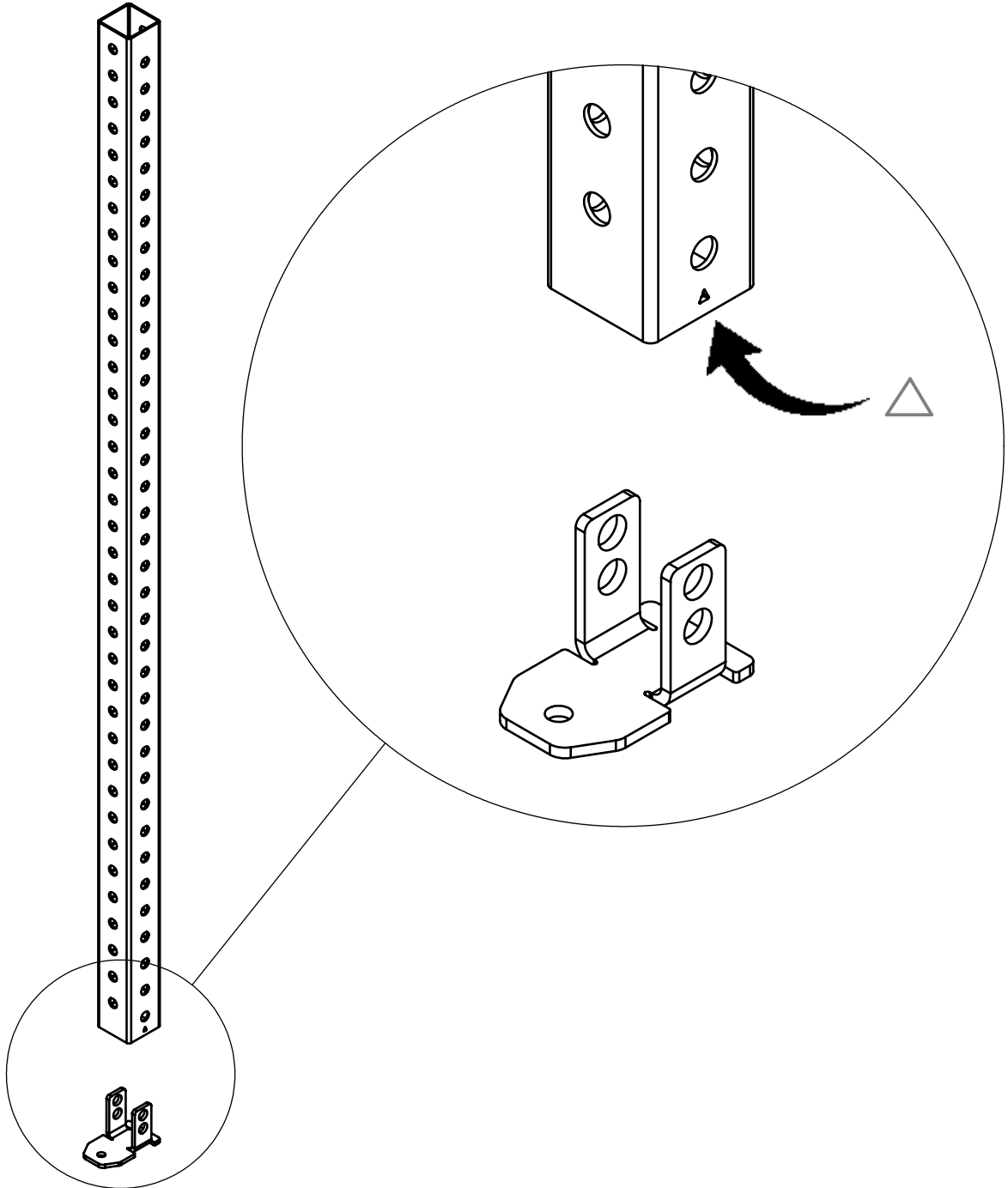


2001320 / 2001549 / 2001548



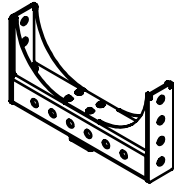
2001373

NOTE: USE THE SHORTER UPRIGHT!



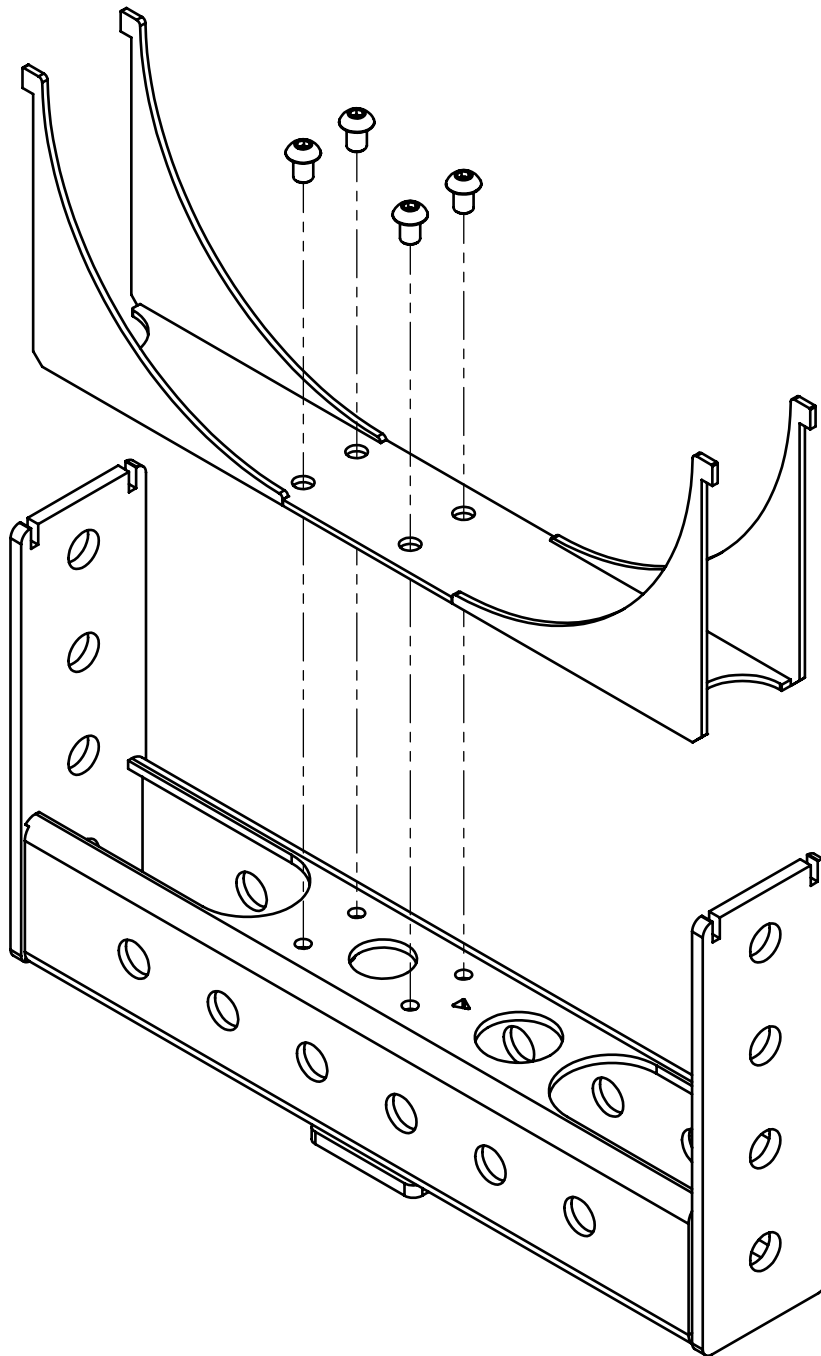
2a.

1x

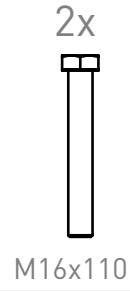
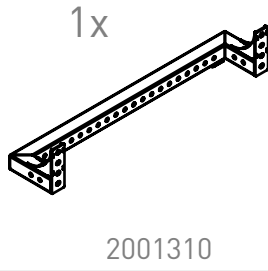
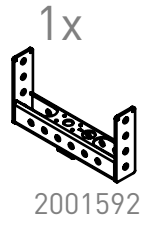


2001592

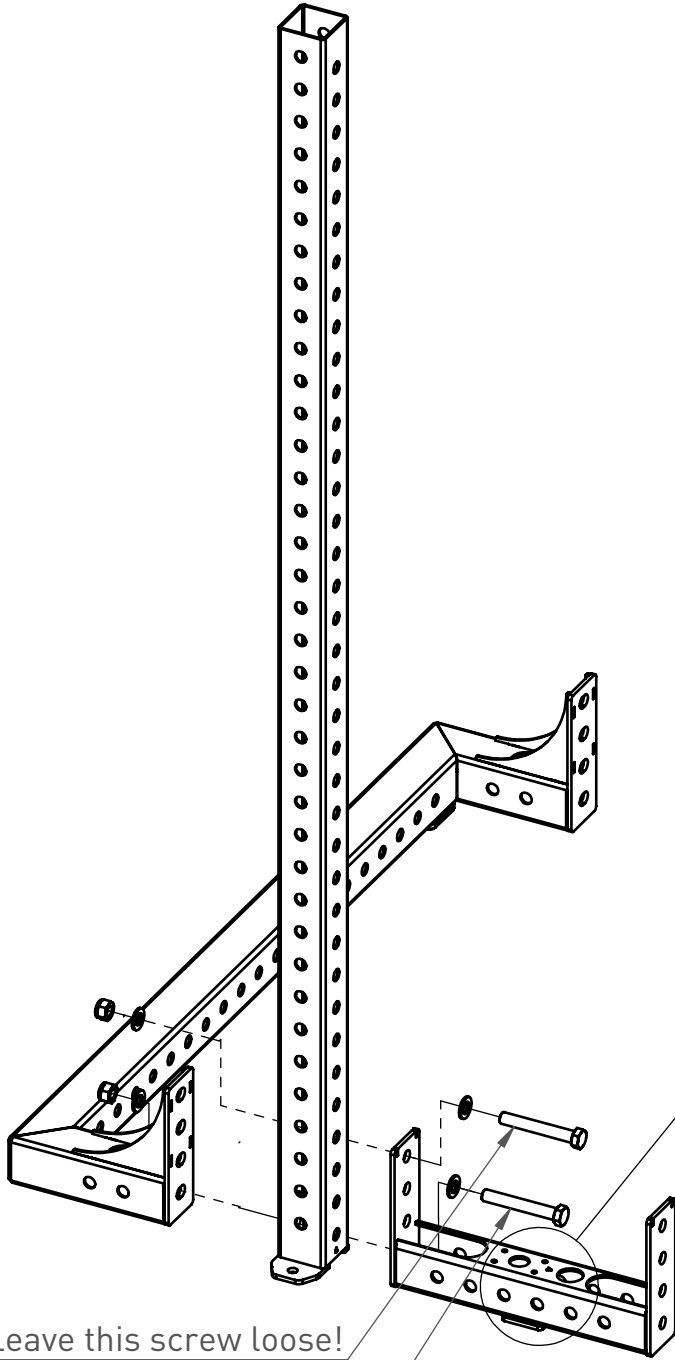
REMOVE COVER PLATE FROM FLOOR BEAM!
SAVE ALL PARTS!



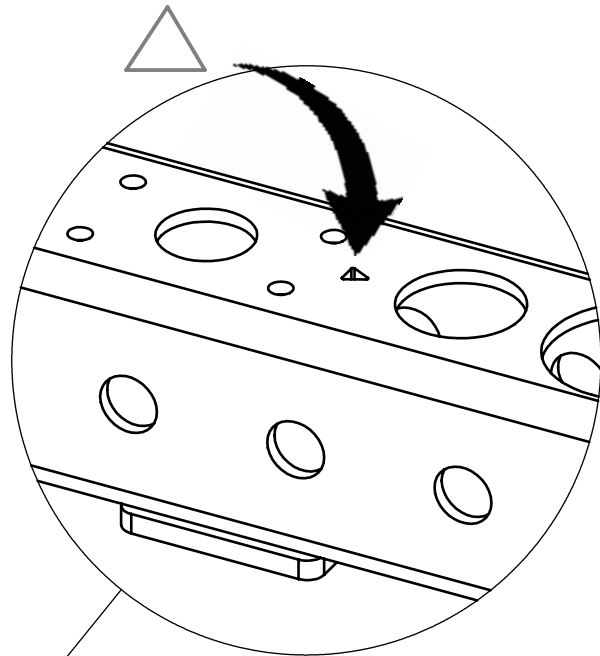
2b.



Locking Nut Washer



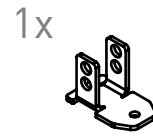
TRIANGULAR CUT OUT SHOULD POINT TOWARDS THE FRONT OF THE RACK!



Leave this screw loose!

Tighten this screw!

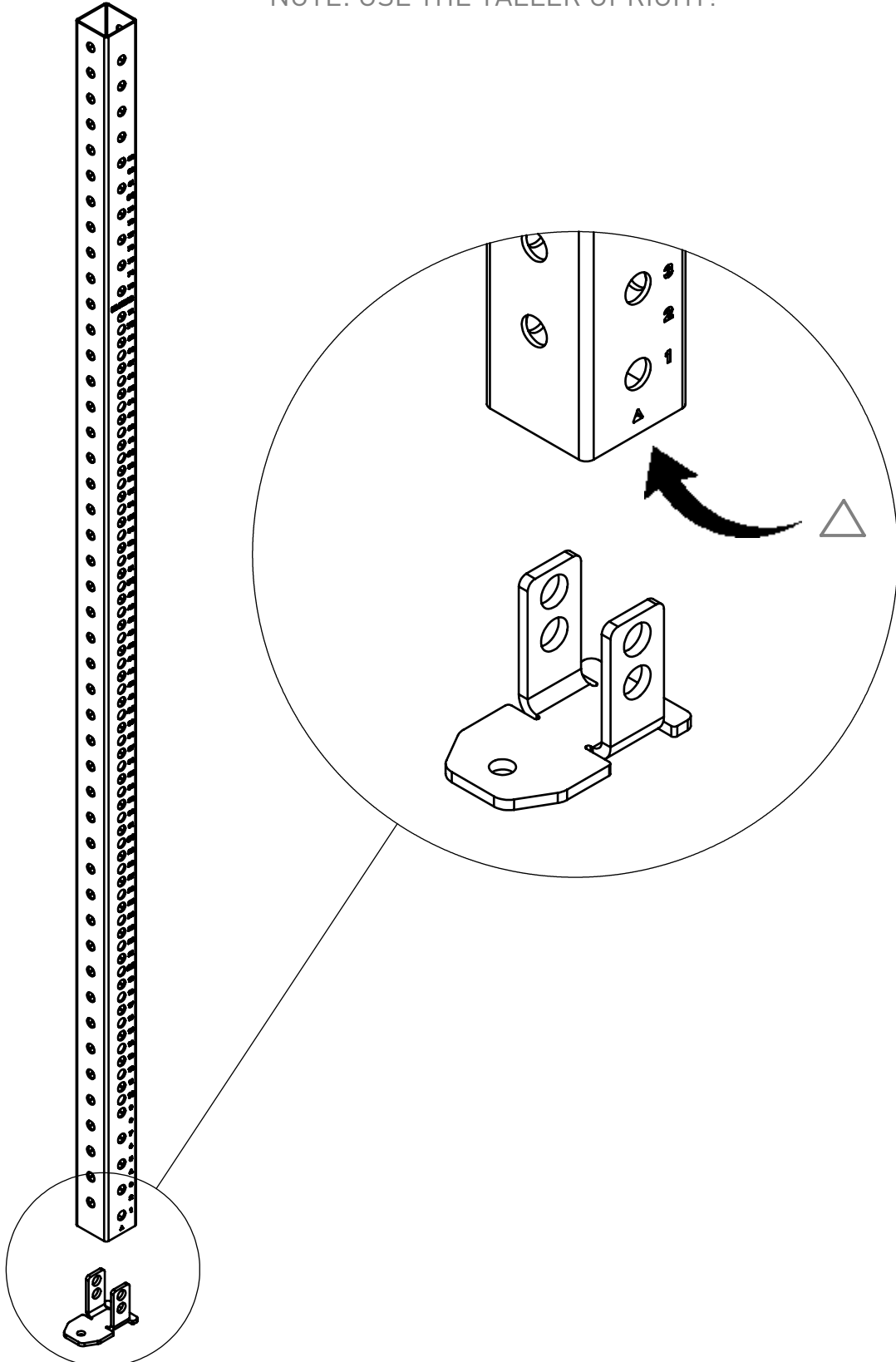
3.



2001257 / 2001374 / 2001548 / 2001537

2001373

NOTE: USE THE TALLER UPRIGHT!



4a.

1x



M16x110

1x



M16x100

1x



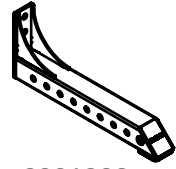
Locking Nut

3x

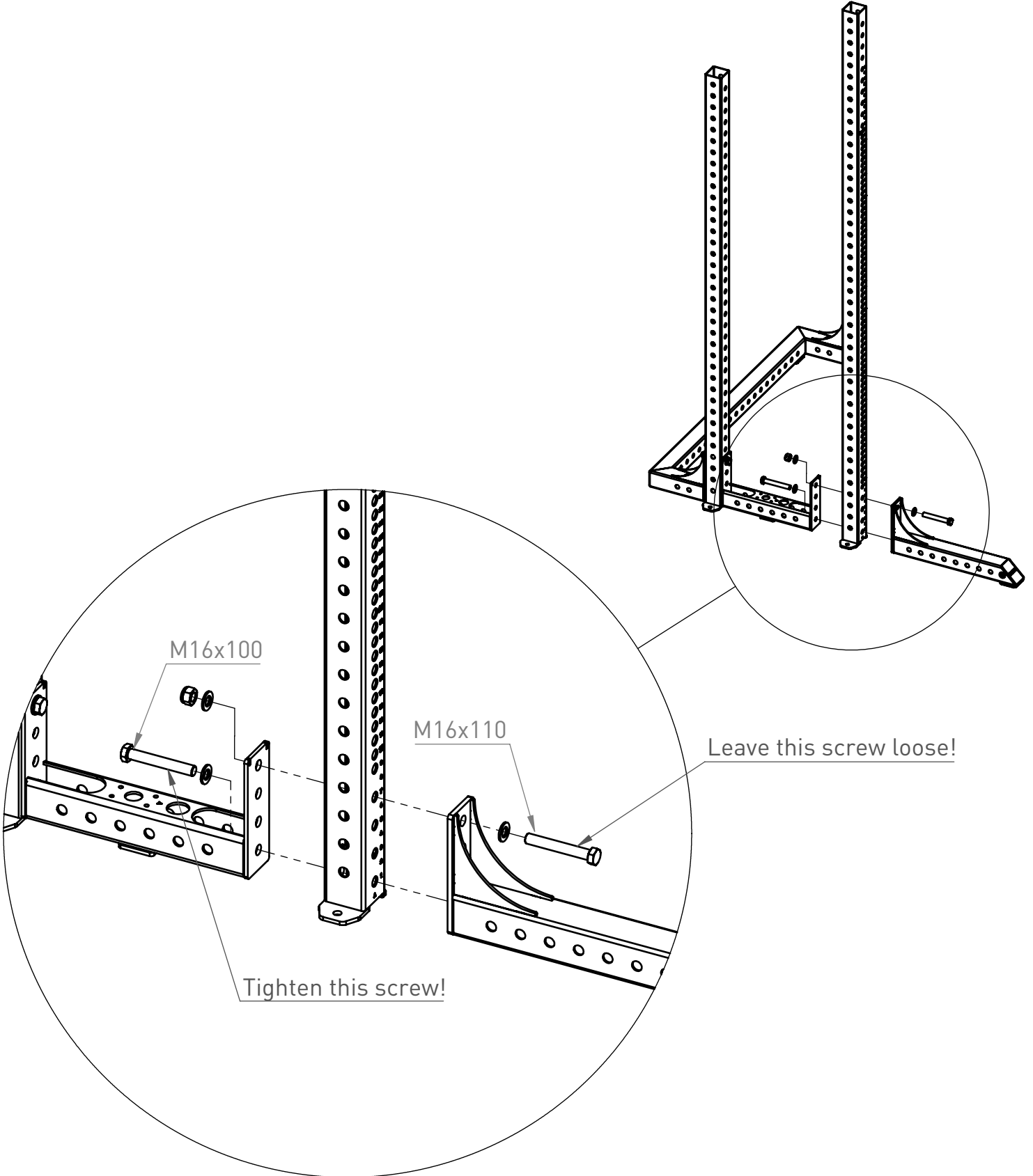


Washer

1x

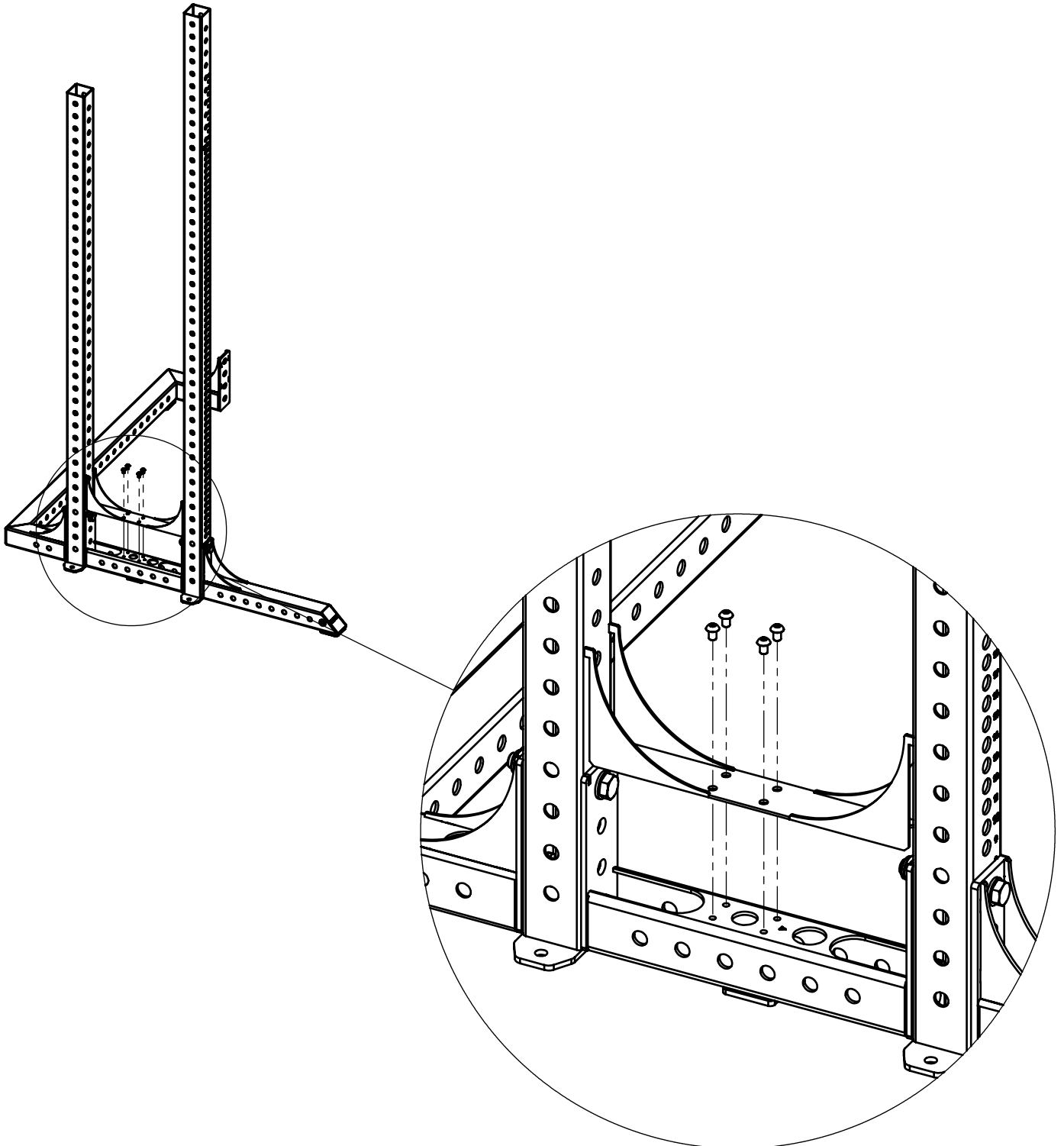


2001302



4b.

PUT BACK COVER PLATE ON FLOOR BEAM!
USE PARTS FROM STEP 2a!



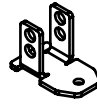
5.

1x



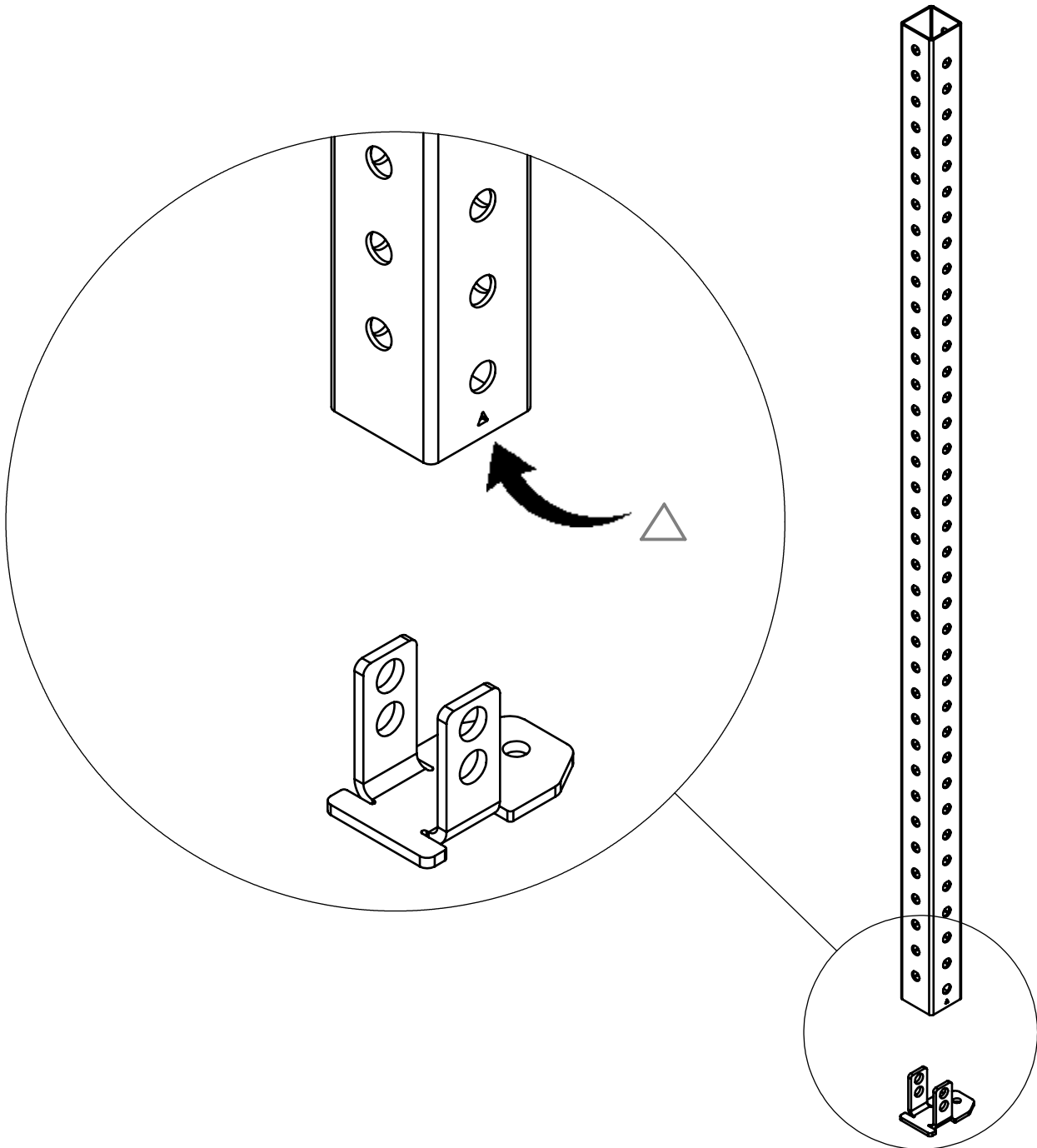
2001320 / 2001549 / 2001548

1x



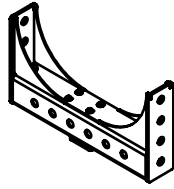
2001373

NOTE: USE THE SHORTER UPRIGHT!



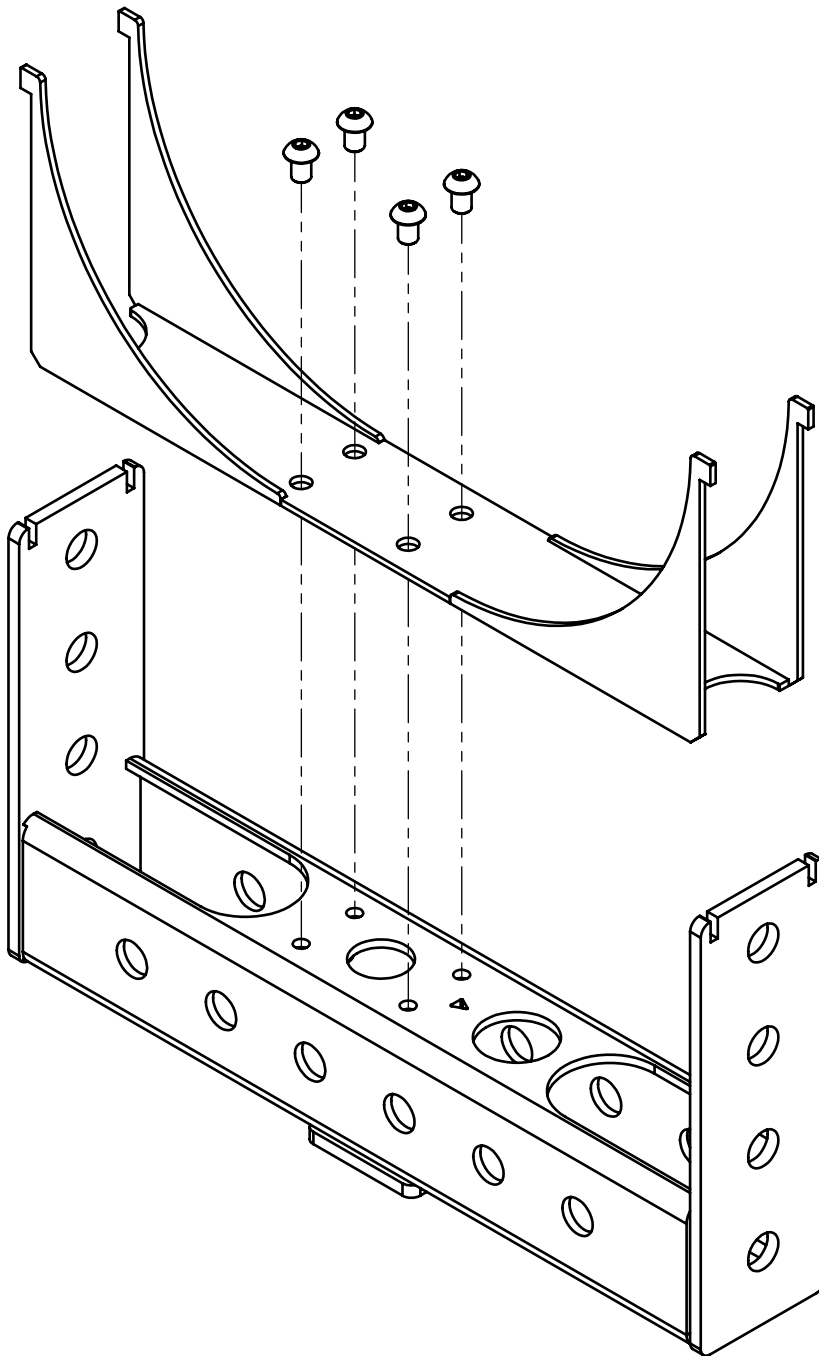
6a.

1x

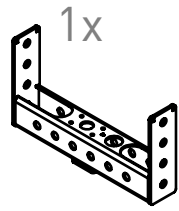


2001592

REMOVE COVER PLATE FROM FLOOR BEAM!
SAVE ALL PARTS!



6b.



2001592

2x



M16x110

2x

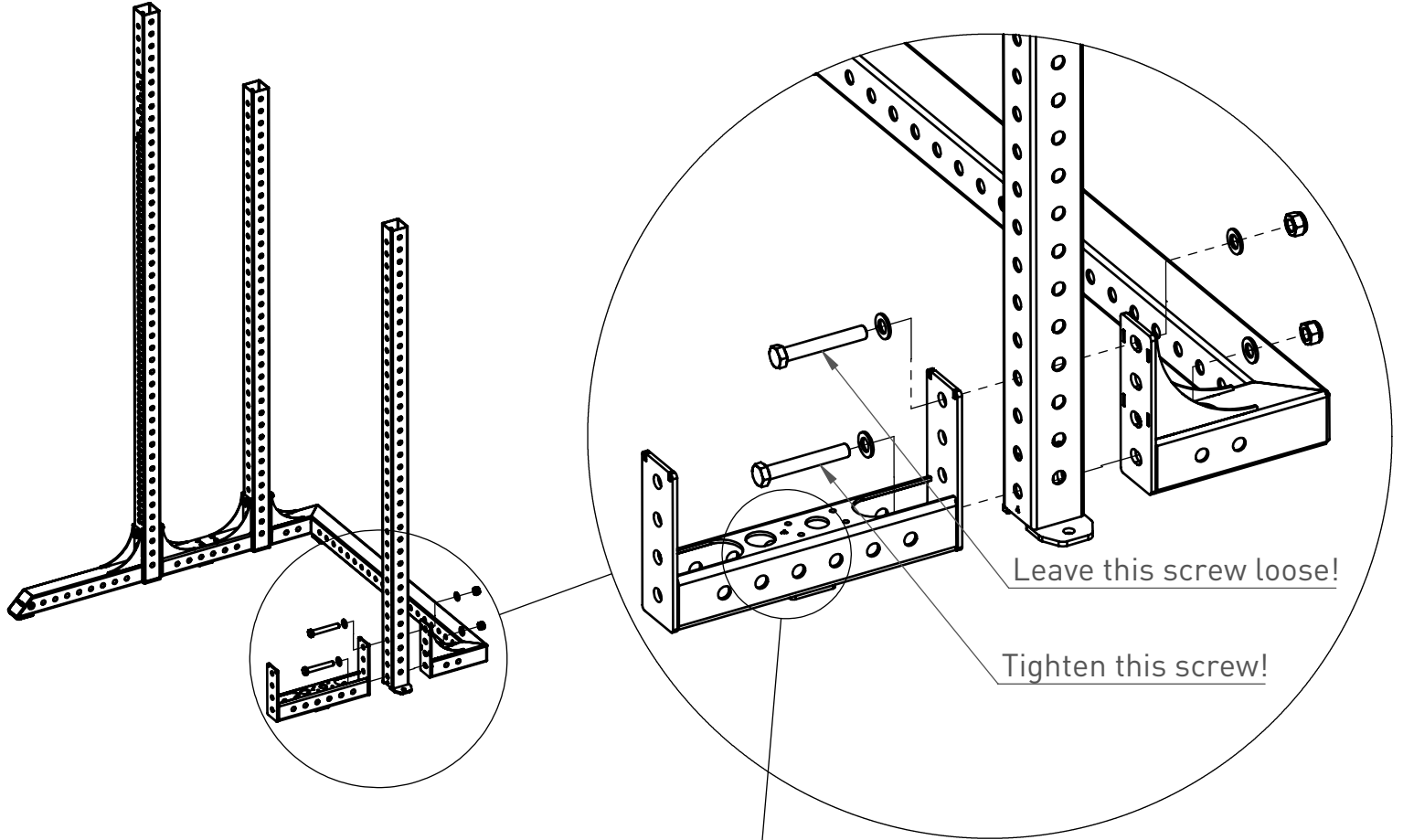


Locking Nut

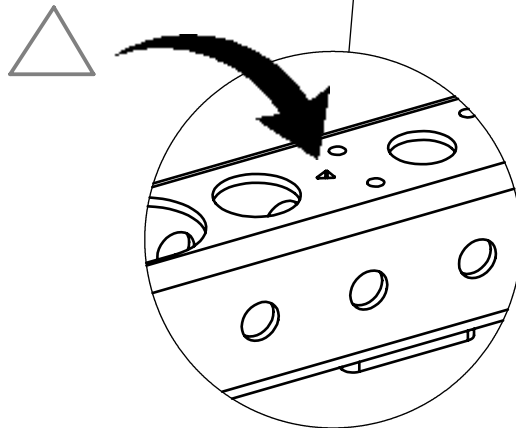
4x



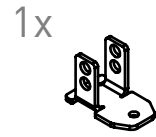
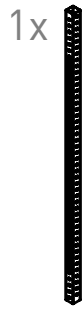
Washer



TRIANGULAR CUT OUT SHOULD POINT TOWARDS THE FRONT OF THE RACK!



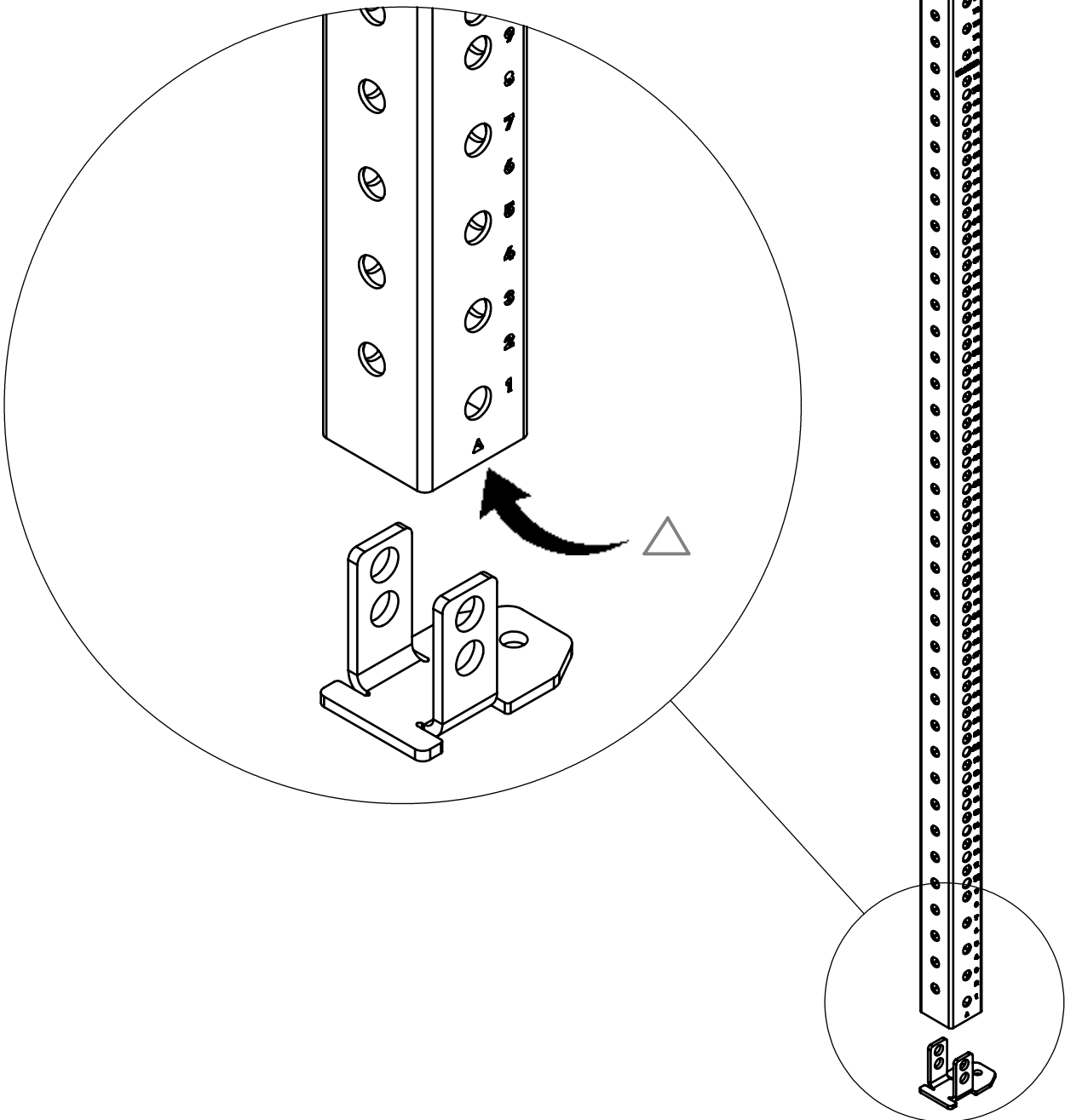
7.



2001257 / 2001374 / 2001548 / 2001537

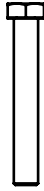
2001373

NOTE: USE THE TALLER UPRIGHT!



8a.

1x



M16x110

1x



M16x100

1x



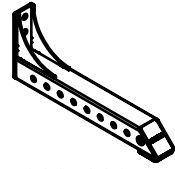
Locking Nut

3x

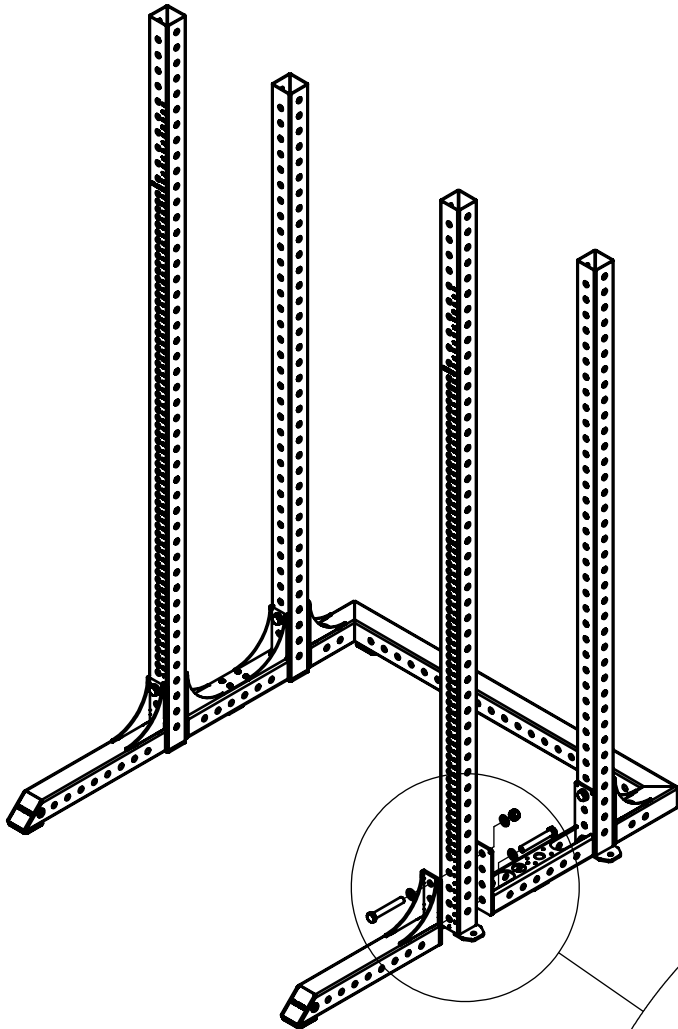


Washer

1x



2001302

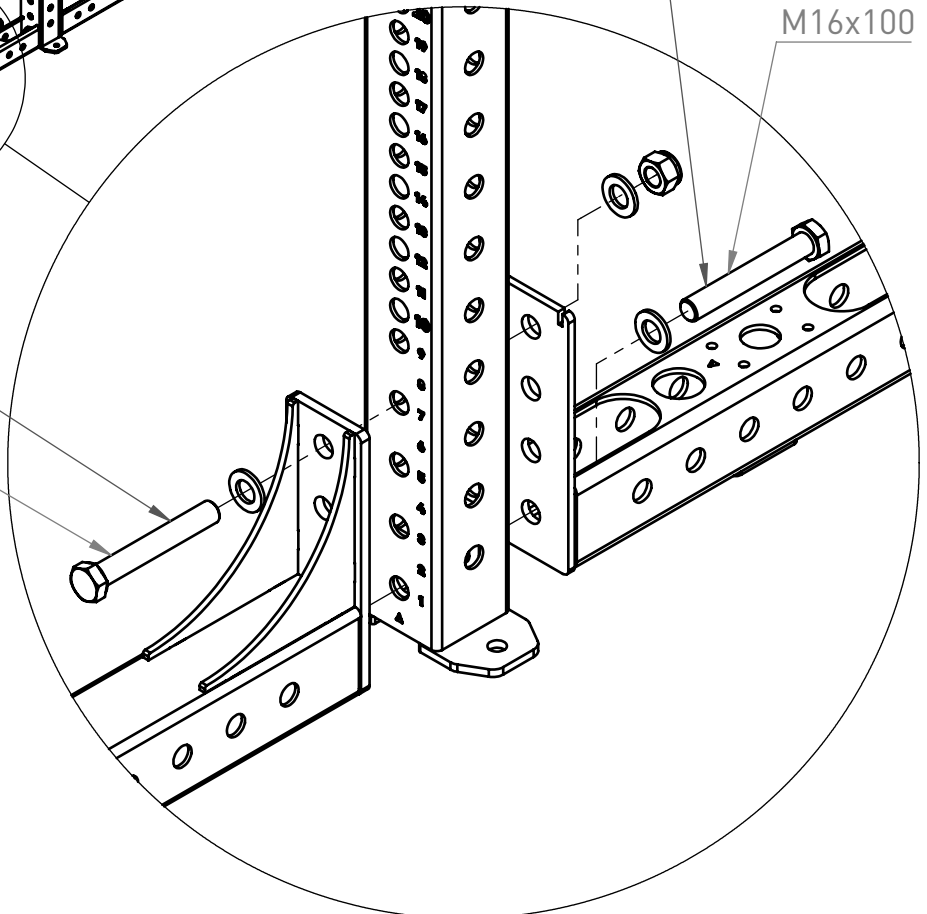


Tighten this screw!

M16x100

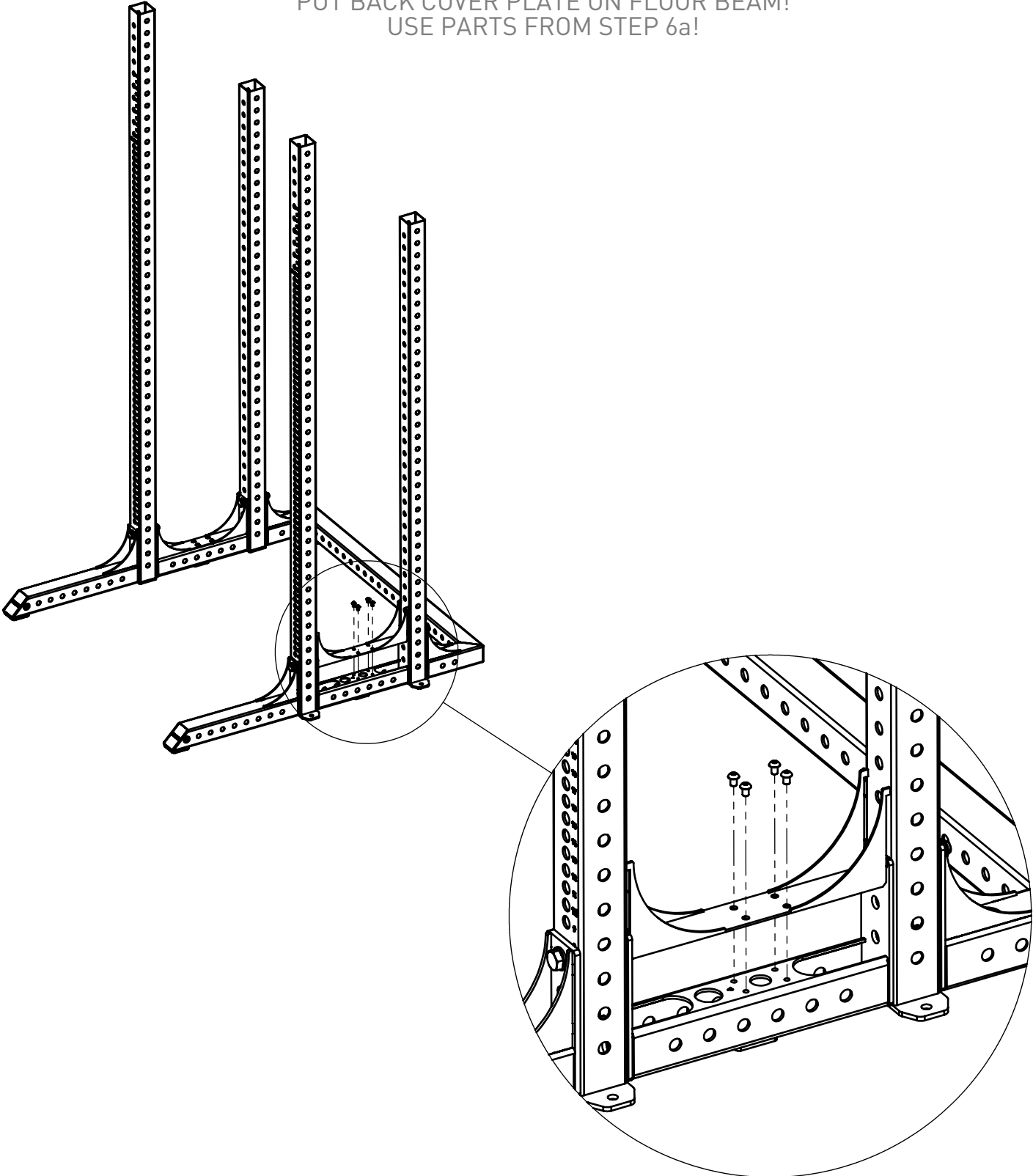
Leave this screw loose!

M16x110



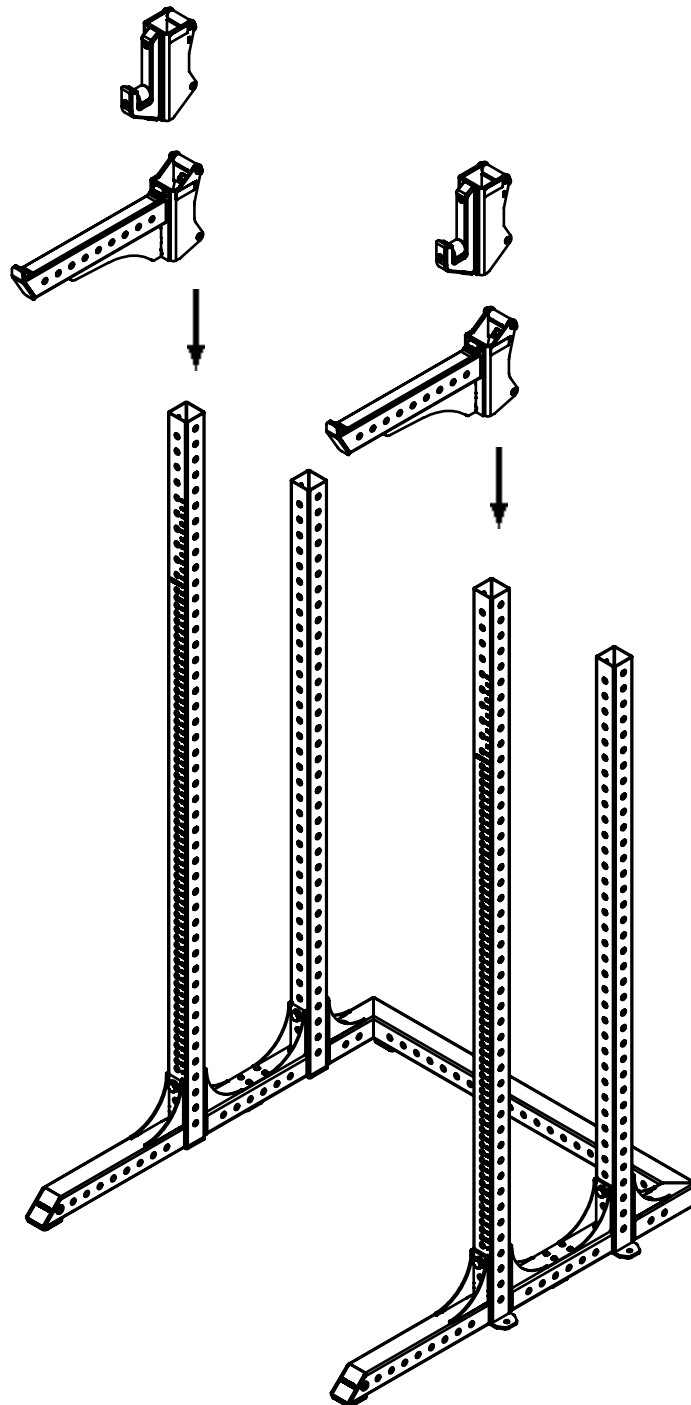
8b.

PUT BACK COVER PLATE ON FLOOR BEAM!
USE PARTS FROM STEP 6a!



9.

If purchased J-cup and Safety arm on sled, assemble them now.



10.

4x



M16x100

4x



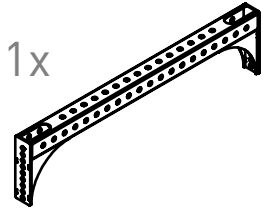
Locking Nut

8x

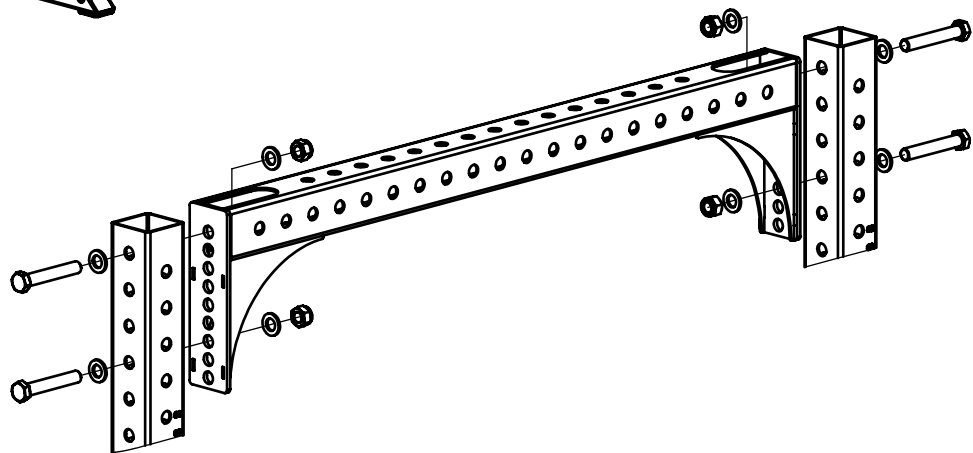
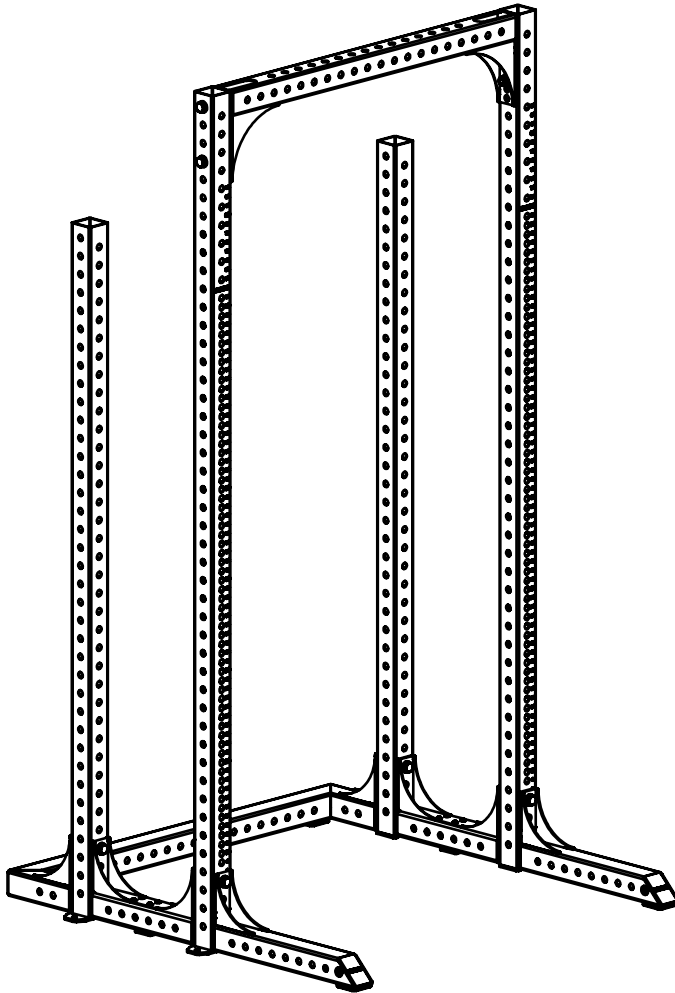


Washer

1x



2001294



LOOSE SCREWS!

11.

6x



M16x100

6x



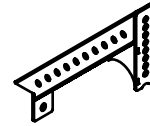
Locking Nut

12x



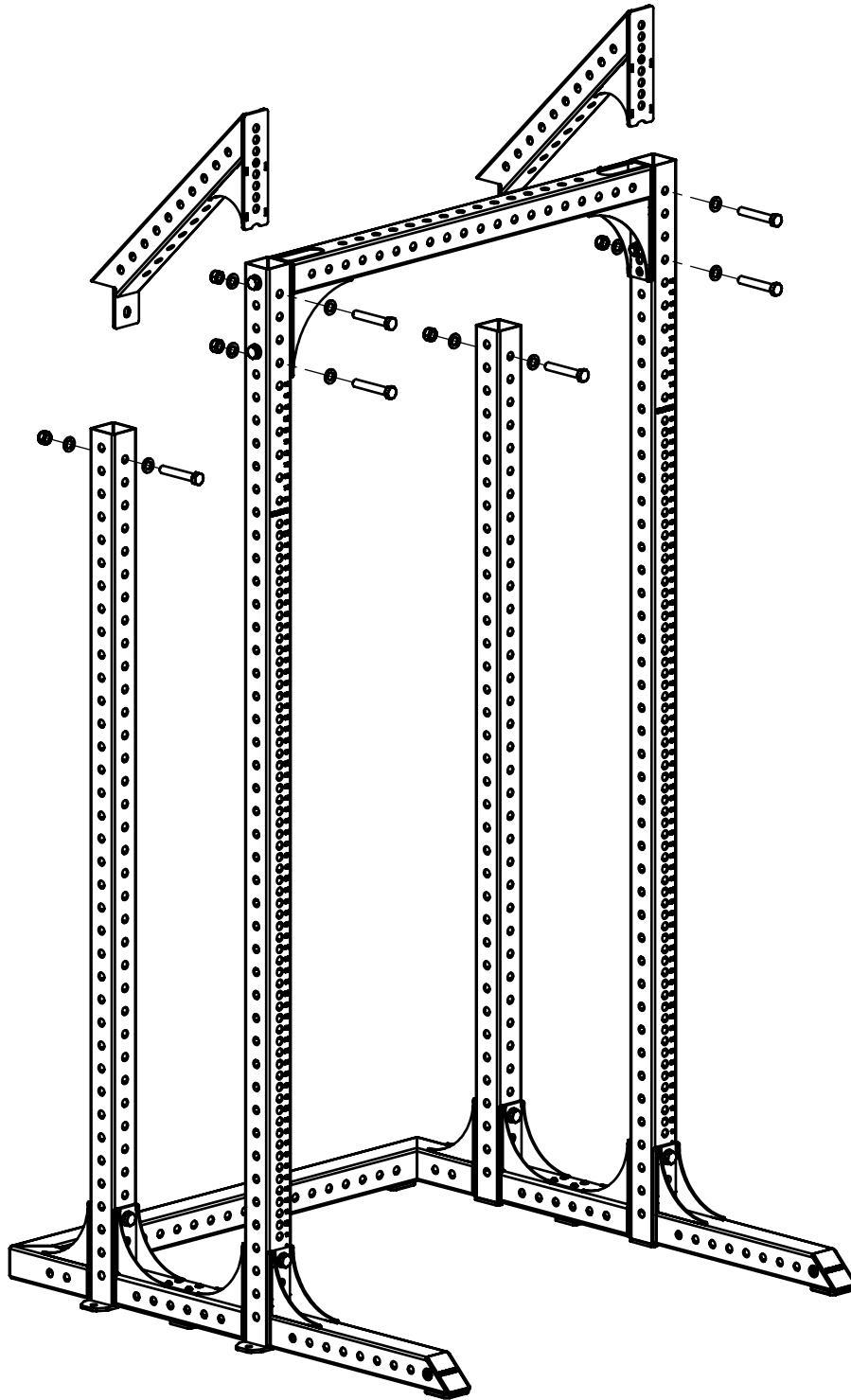
Washer

2x

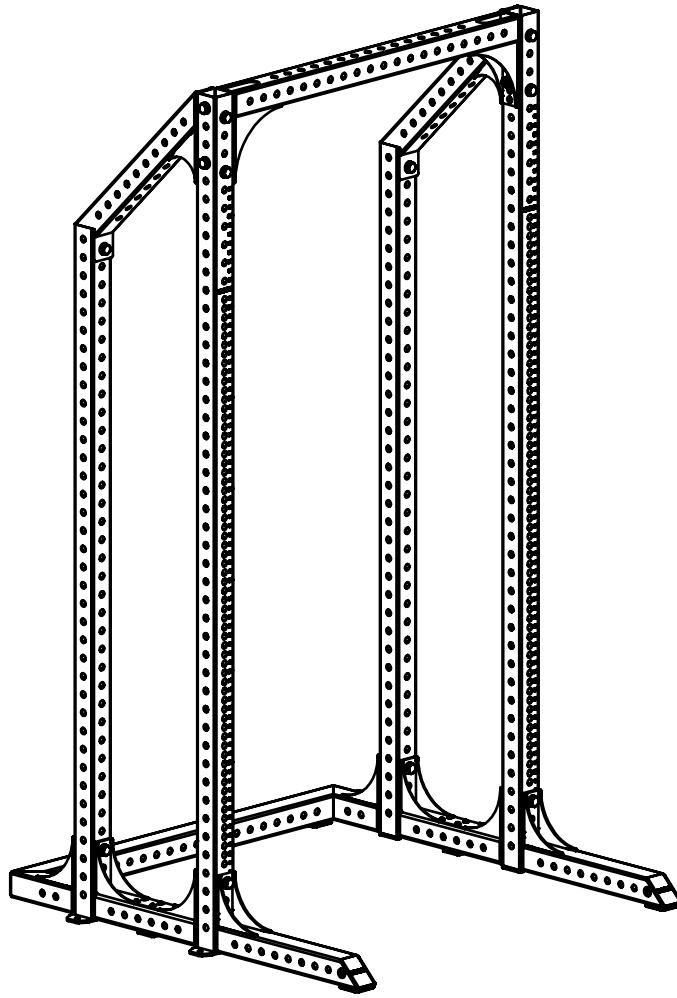


2001299

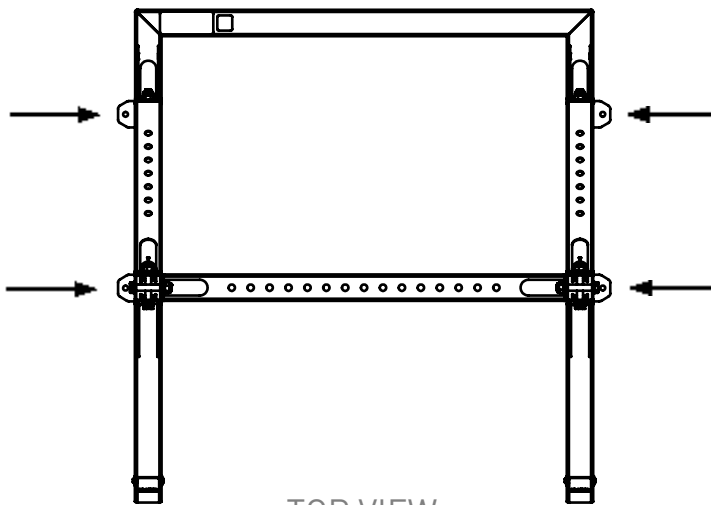
LOOSE SCREWS!



12.



TIGHTEN ALL
LOOSE SCREWS!



TOP VIEW



USER GUIDE

PURPOSE

This product is for barbell training and for attachments for specific exercises.

GENERAL INSTRUCTIONS FOR USE

1. Add attachment for the selected exercise.
2. Follow instructions for that specific attachment.

PRODUCT SPECIFICATION

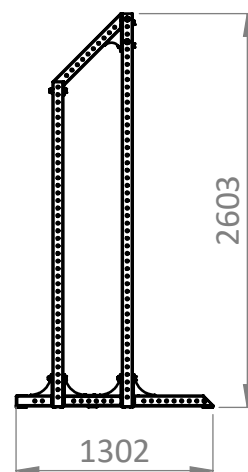
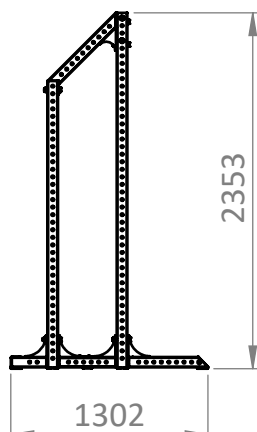
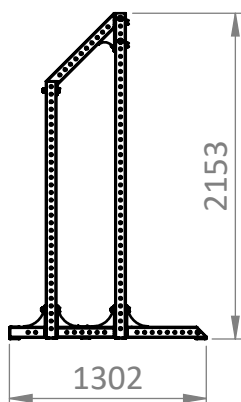
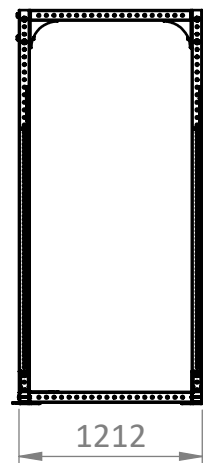
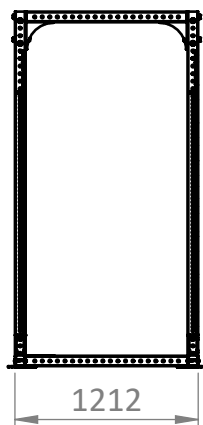
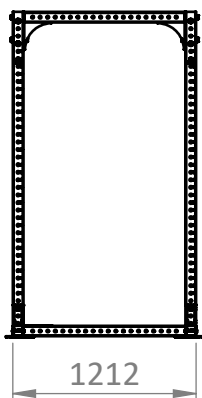
Max training weight 500 kg / 1102 lbs

Product weight:

3085634 95 kg / 209 lbs

3085456 & 3085461 99 kg / 218 lbs

3085720 105 kg / 231 lbs



CARE AND MAINTENANCE

PREVENTIVE MAINTENANCE AND INSPECTIONS

NOTE: The safety level of the equipment can only be maintained if it is examined regularly for damage and wear.

Regularly:

- Clean surfaces on the frames and tubes from dust and dirt.
- Check that all bolts between parts, walls and floors are properly tightened, according to recommendations.
- Check equipment for sharp edges. Replace parts with sharp edges.

See also www.eleiko.com.

SPARE PARTS AND SERVICE

Contact Eleiko for spare parts and service:

Eleiko Group AB | Klastorpsvägen 18 | SE-302 62 HALMSTAD | Sweden

E-mail: info@eleiko.com | Phone: +46 35 17 70 70

www.eleiko.com

WARRANTY

All products manufactured by ELEIKO are warranted to the original purchaser to be free from defects in workmanship and / or materials under normal use or service as follows:

- 10 years on structural frame welds (NOT on moving parts)

Normal wear and tear do not fall under the 10-year warranty.

ELEIKO

Eleiko Group AB | Klastorpsvägen 18 | SE-302 62 HALMSTAD | Sweden
E-mail: info@eleiko.com | Phone: +46 35 17 70 70

www.eleiko.com