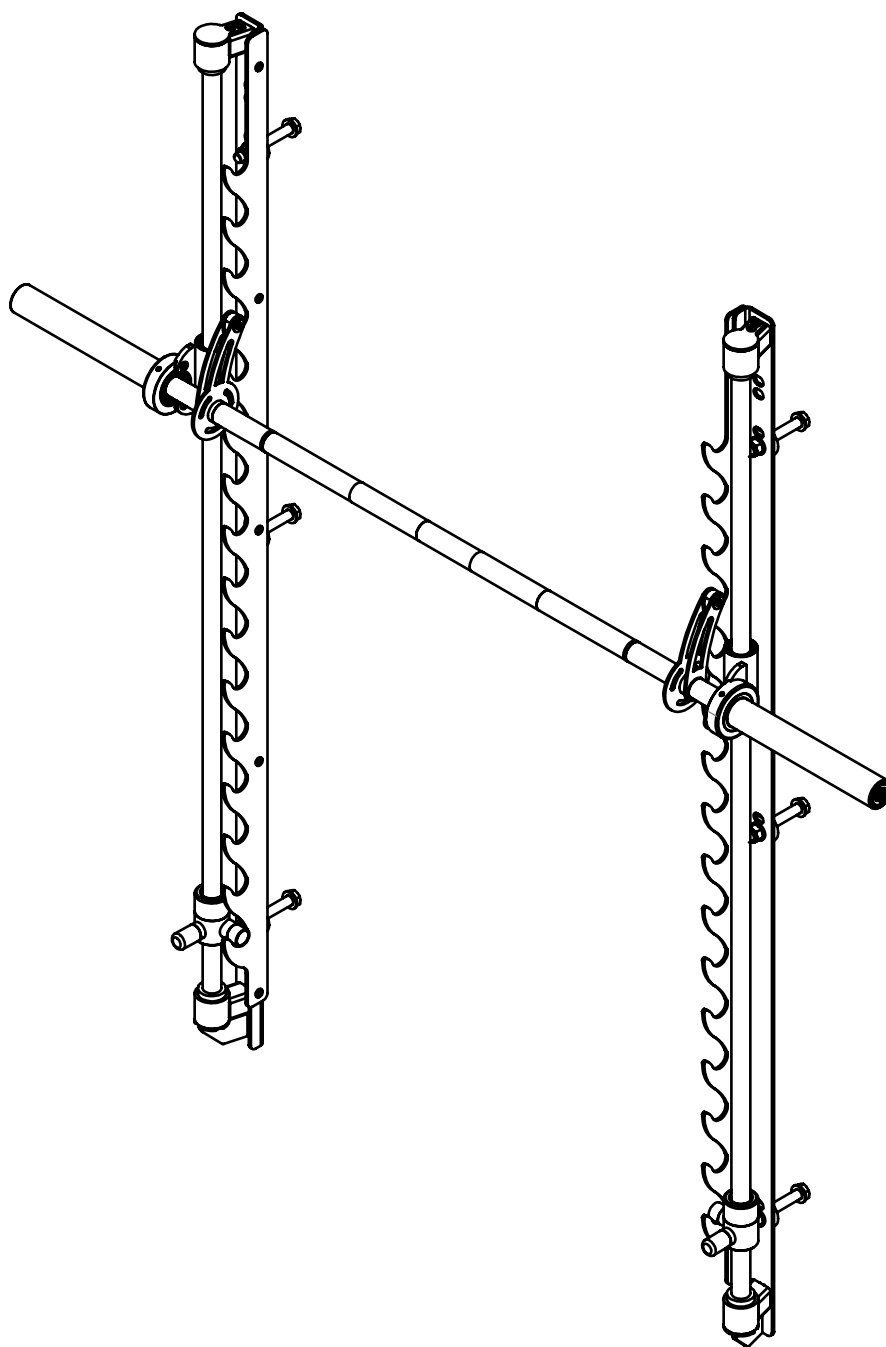


ELEIKO PRESTERA SMITH ATTACHMENT

Art.no. 3085513



ELEIKO

CONTENTS

Read before installation and use	3
Safety instructions	3
List of components	4
Assembly instructions	5
Tools needed	5
User guide	7
Purpose	7
General instructions for use	7
Product specifications	7
Care and maintenance	7
Preventive maintenance and inspections	7
Spare parts and service	7
Warranty	7

READ BEFORE INSTALLATION AND USE

Install and use this equipment in a place where access and supervision are specifically controlled by the owner.

Be sure to install the equipment on a stable base and level the equipment properly. Eleiko recommends that all equipment is secured to floor and installed by a licensed contractor or an Eleiko installer.

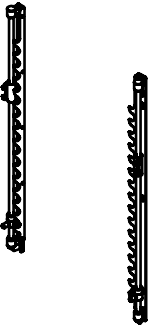
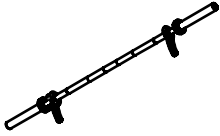
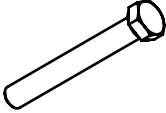




This equipment is intended for indoor use only.

SAFETY INSTRUCTIONS

It is the responsibility of the purchaser of ELEIKO products to instruct all users and supervising personnel on proper usage of the equipment.

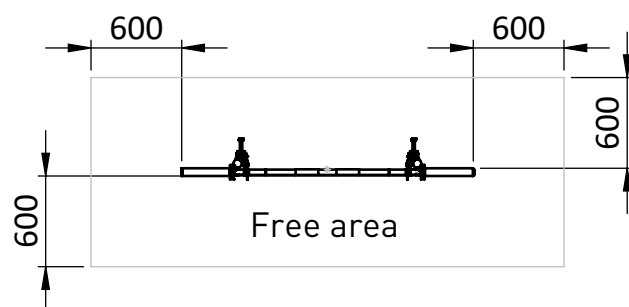
1. All included warnings (labels) and instructions **MUST** be read before the use of any Eleiko equipment. Only use the equipment as it is intended.
2. A user **MUST** get a medical examination and proper instructions before using any Eleiko equipment.
3. **DO NOT** let anyone, under any circumstances, use equipment that appears to be damaged. Do not try to repair any equipment before consulting an Eleiko technician.
4. **DO NOT** replace components of Eleiko equipment with other, none Eleiko, equipment (magnetic safety pin, frames, bars etc.). Do not improvise! If there are any doubts, consult an Eleiko representative prior to any intervention.
5. **DO NOT** overload the equipment and **DO NOT** try to exceed personal strength levels.
6. Children under the age of 14 must be supervised by an adult.
7. **DO NOT** remove any safety labels from the Eleiko equipment. Eleiko is not responsible if a label is removed. Replace damaged labels immediately.
8. Eleiko packaging for products can be made of wood. Be aware of splinters! You **MUST** use protective gloves and proper work wear.
9. Eleiko packaging material could be a risk when handling. Be aware of crushing! You **MUST** use work wear including protective gloves and hard shoes.
10. Eleiko products and packing material are heavy, You **MUST** use proper lifting techniques, work wear and hard shoes.

LIST OF COMPONENTS

 <p>1x</p>	 <p>1x</p>			
3085513A1	3085514			
 <p>6x</p>	 <p>12x</p>	 <p>6x</p>	 <p>6x</p>	 <p>4x</p>
2001385-L120	2001421	2001379	2001356	2000677-L20

ASSEMBLY INSTRUCTIONS

Before assembly, make sure you have enough clearance on all sides of the equipment. Take in account the accessibility to remove plates.



TOOLS NEEDED

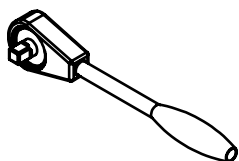
You need the following tools to assemble the equipment.

1x



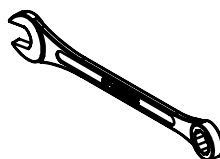
Socket 1/2 24 mm

1x



Locking handel 1/2

1x



Wrench 24 mm

1x



Allen key 5 mm

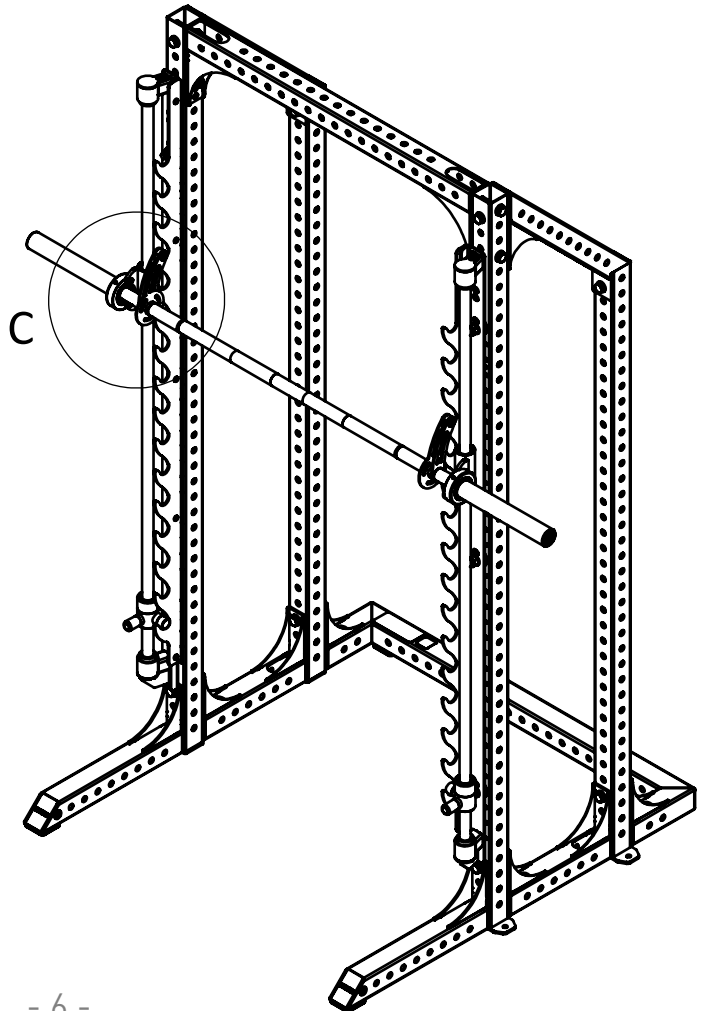
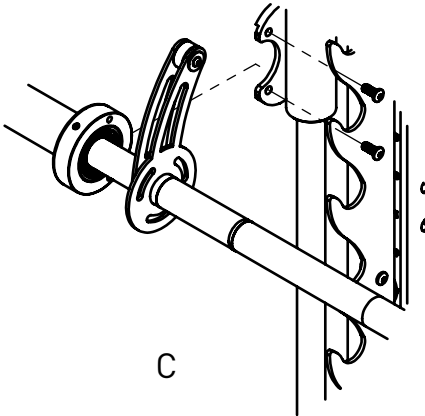
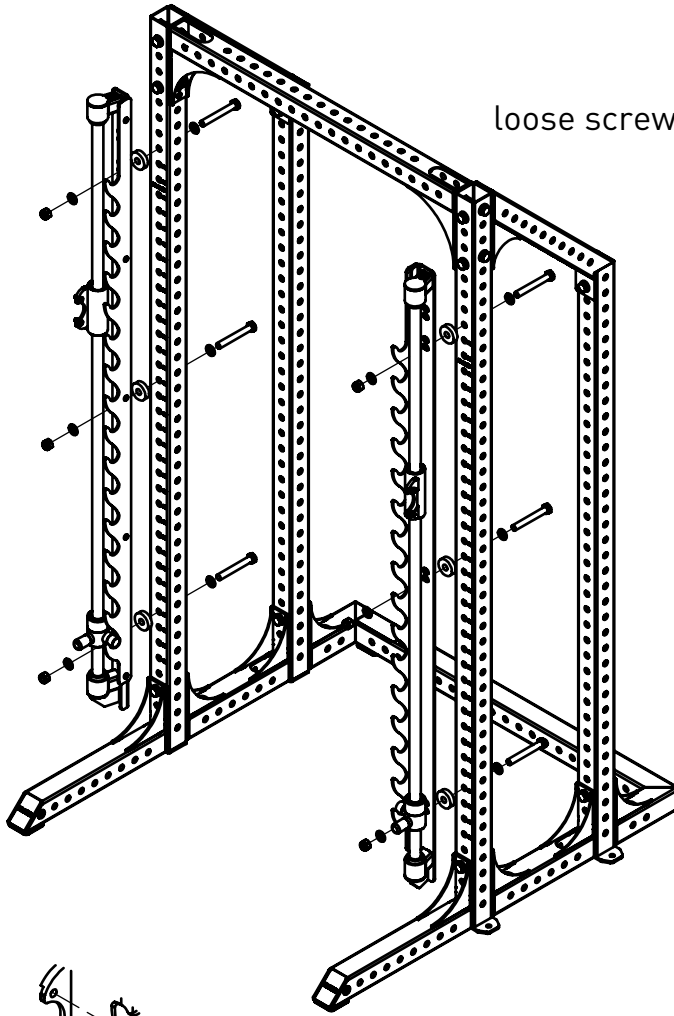


40 Nm



1.

loose screws



USER GUIDE

PURPOSE

This unit is intended to be used for a variety of different lifts like squats, presses and lunges. The product has a fixed barbell which follows a guided path along the chromed shafts. By lifting and rotating you can rack on and rack off.

GENERAL INSTRUCTIONS FOR USE

1. Adjust the safety stoppers at correct height, if trouble with lifting, safety stoppers will stop the bar falling.
2. Load plates on the sleeves, load same amount of plates on each side.
3. Use collars to keep the plates on the sleeve.
4. Release the barbell by lifting a few cm (an inch), rotate. The bar is now free to move and follow your motion up and down.
5. To end the exercise, rotate the barbell and lower the bar a few cm (an inch). Make sure barbell is secured before you let go of the barbell.
6. Unload the sleeves

PRODUCT SPECIFICATION

Max user weight	Na kg / Na lbs
Max training weight	200 kg / 440 lbs
Product weight	52 kg / 114 lbs
Dimensions (L x W x H)	178 x 1929 x 1968 mm 7" x 76" x 77,5"

CARE AND MAINTENANCE

PREVENTIVE MAINTENANCE AND INSPECTIONS

NOTE: The safety level of the equipment can only be maintained if it is examined regularly for damage and wear.

Regularly:

- Clean surfaces on the frames and tubes from dust and dirt.
- Clean bar with nylon brush.
- Check that all bolts between parts, walls and floors are properly tightened, according to recommendations.
- Check equipment for sharp edges. Replace parts with sharp edges.

See also www.eleiko.com.

SPARE PARTS AND SERVICE

Contact Eleiko for spare parts and service:

Eleiko Group AB | Klatorpsvägen 18 | SE-302 62 HALMSTAD | Sweden
E-mail: info@eleiko.com | Phone: +46 35 17 70 70

WARRANTY

All products manufactured by ELEIKO are warranted to the original purchaser to be free from defects in workmanship and / or materials under normal use or service as follows:

- 10 years on structural frame welds (NOT on moving parts)

Normal wear and tear do not fall under the 10-year warranty.

ELEIKO

RAISE THE BAR

Eleiko Group AB | Klastorpsvägen 18 | SE-302 62 HALMSTAD | Sweden
E-mail: info@eleiko.com | Phone: +46 35 17 70 70

www.eleiko.com