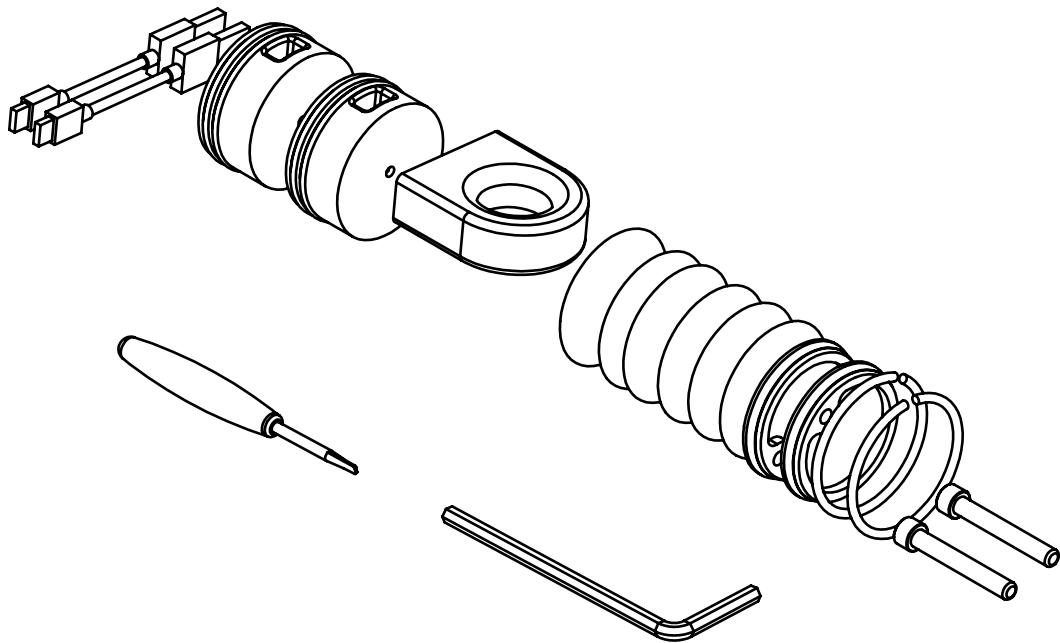


# ELEIKO BAR SENSOR KIT

3085286



**ELEIKO**

# READ BEFORE INSTALLATION AND USE

## CAUTION

The equipment must be installed and used in a place whose access and supervision are specifically controlled by the owner.

## SAFETY INSTRUCTIONS

It is the responsibility of the purchaser of ELEIKO products to instruct all users and supervising personnel on proper usage of the equipment.

1. All included warnings (labels) and instructions **MUST** be read before the use of any ELEIKO-equipment. Use each equipment as it is intended for.
2. A user **MUST** get a medical examination and proper instructions before the use of any ELEIKO-equipment.
3. **DO NOT** let anyone, under any circumstances, use equipment that appears to be damaged. Do not try to repair any equipment before consulting an ELEIKO technician.
4. **DO NOT** replace the components of ELEIKO-equipment with other none ELEIKO-equipment (magnetic safety pin, frames, bars), do not improvise. If there are any doubts consult an ELEIKO representative prior to any intervention.
5. **DO NOT** overload the equipment and **DO NOT** try to exceed personal strength levels.
6. Children under the age of 14 must be supervised by an adult.
7. **DO NOT** remove any safety labels from the ELEIKO-equipment. ELEIKO is not responsible if a label is removed. Replace damaged labels immediately.

## PREVENTITIVE MAINTENANCE & INSPECTIONS

DAILY:

Cleaning of parts with textile rag.

REGULARLY:

Check equipment for sharp edges and replace if necessary.

Check for cracks or other defects, replace if necessary.

## WARRANTY

All products manufactured by ELEIKO are warranted to the original purchaser to be free from defects in workmanship and / or materials under normal use or service as follows:

One year for 3085286 Vmax Pro Bar Sensor

Normal wear and tear does not fall under the warranty of two years.

## ADDITIONAL INFORMATION

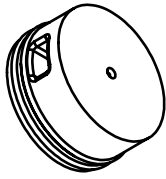
This equipment is for indoor use only.

# ELEIKO

When you have installed electronic device in your bar and a program is loaded into your device (Iphone or Ipad ) you can measure movement of the bar. Make sure the bar is ready for sensors.

Product weight	30 g/each
Max user weight	NA
Max training weight	NA
Dimensions (D x L)	D=40 mm x 20 mm

x2



2000969

x3



2000783

x3



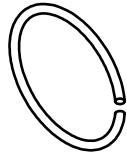
2000650

x2



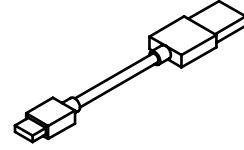
2001099

x2



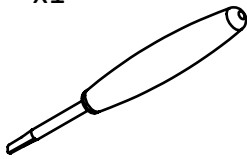
2000335

x2



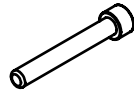
2001128

x1



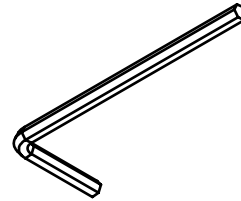
2001127

x2



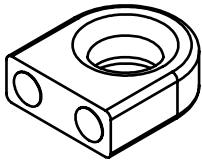
2001169-L35

x1



2001170

x1



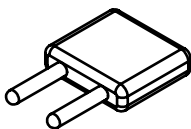
2001639

x3



2001730

## REQUIRED TOOLS



USB charger

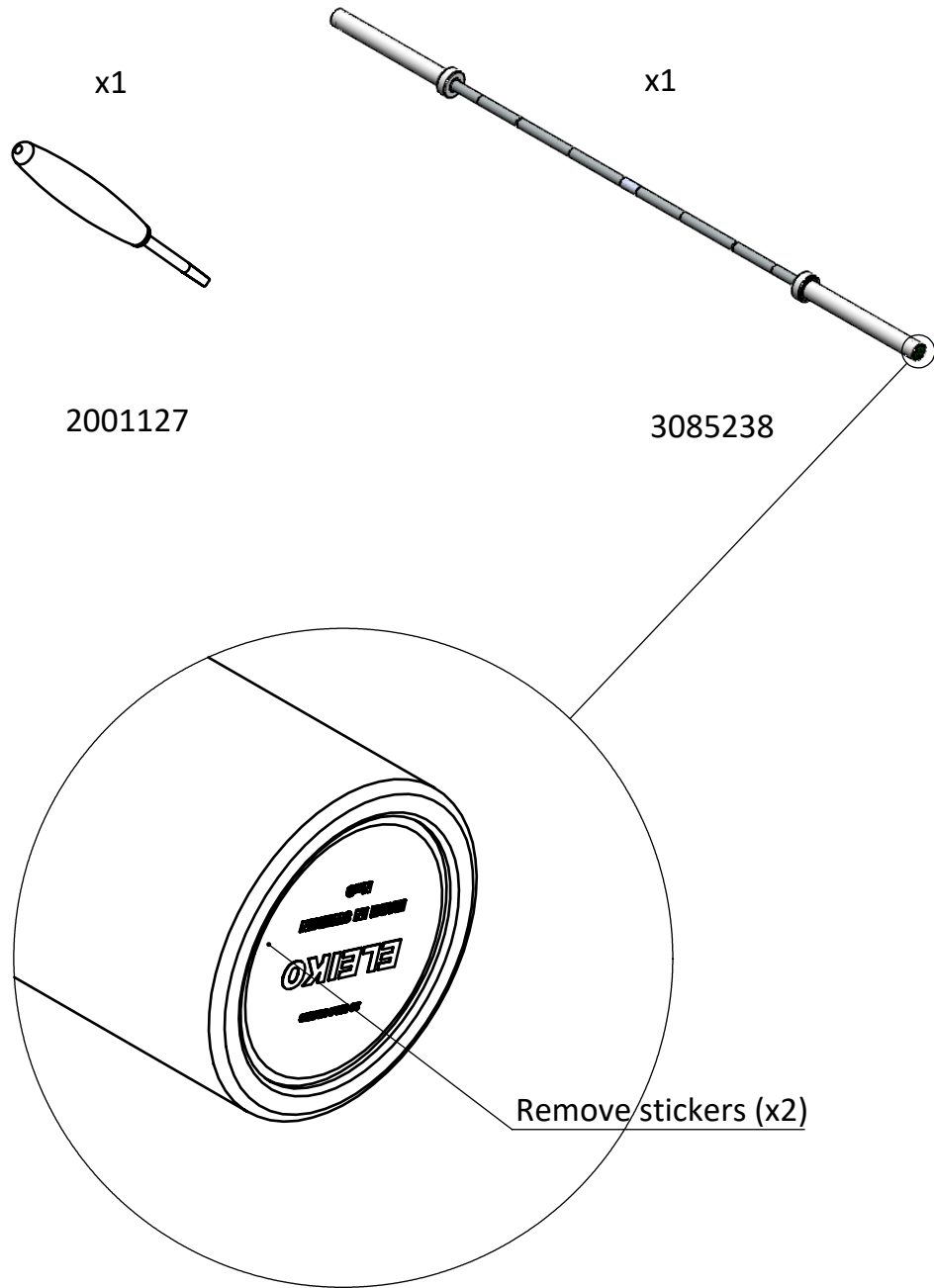


Connection to Internet



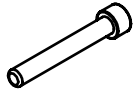
IPad , Iphone  
atleast Iphone 6, IOS 12

1.



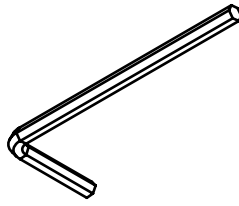
**2.**

x1



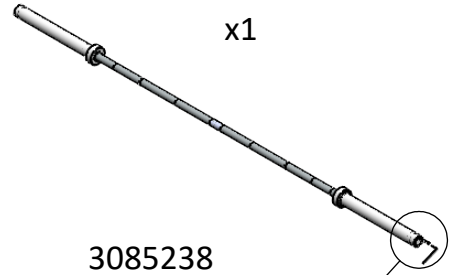
2001693-L35

x1

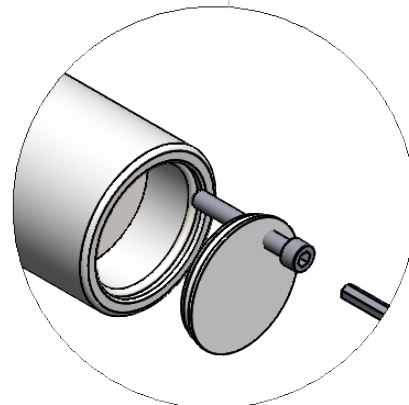
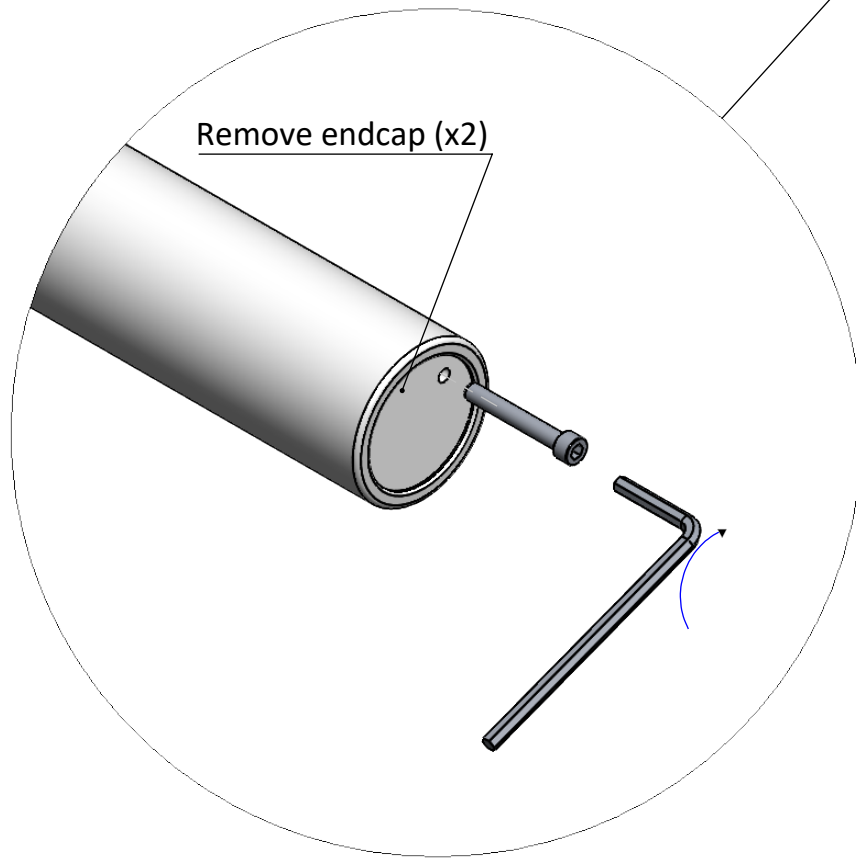


2001170

x1

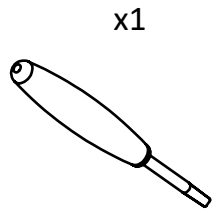


3085238



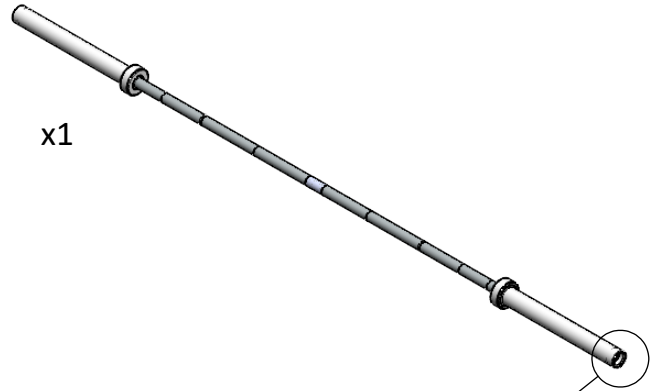
**ELEIKO**

**3.**



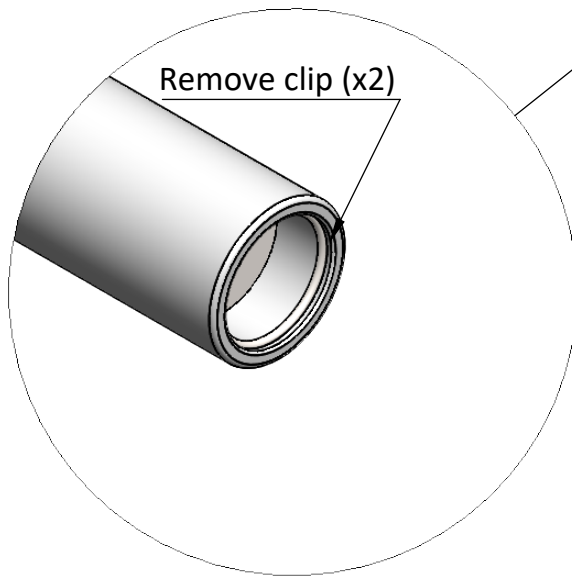
x1

2001127



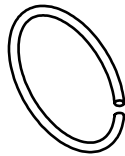
x1

3085238



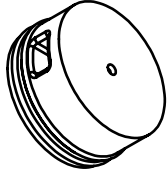
Remove clip (x2)

x2



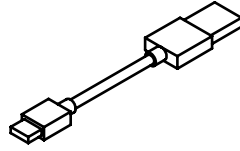
4.

x2



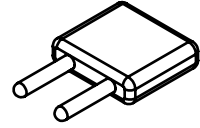
2000969

x2



2001128

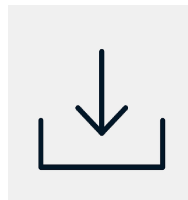
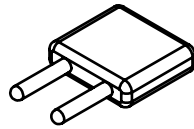
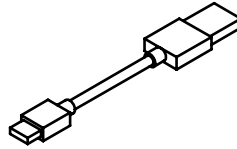
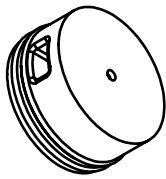
x2



USB charger



Internet



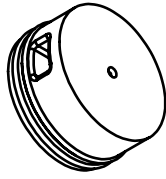
<https://enode.ai/getting-started/>

**ELEIKO**

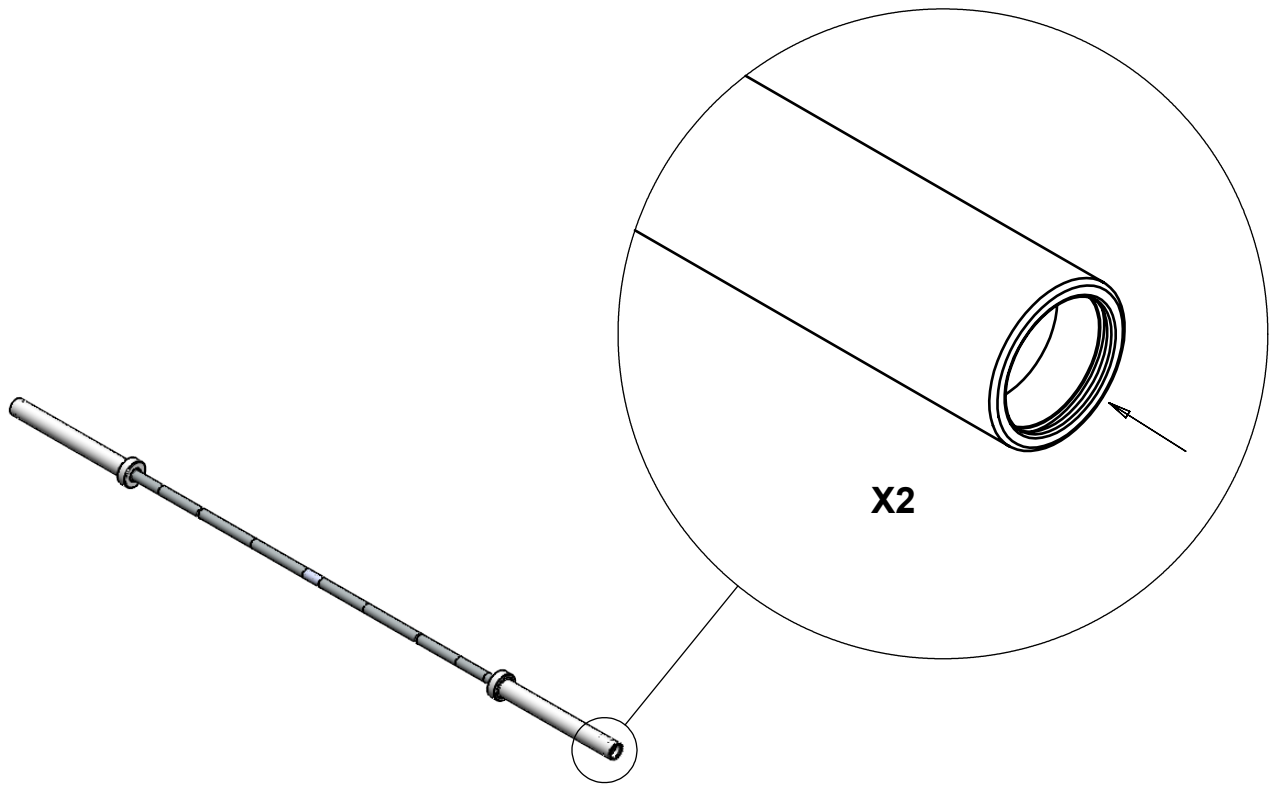


**5.**

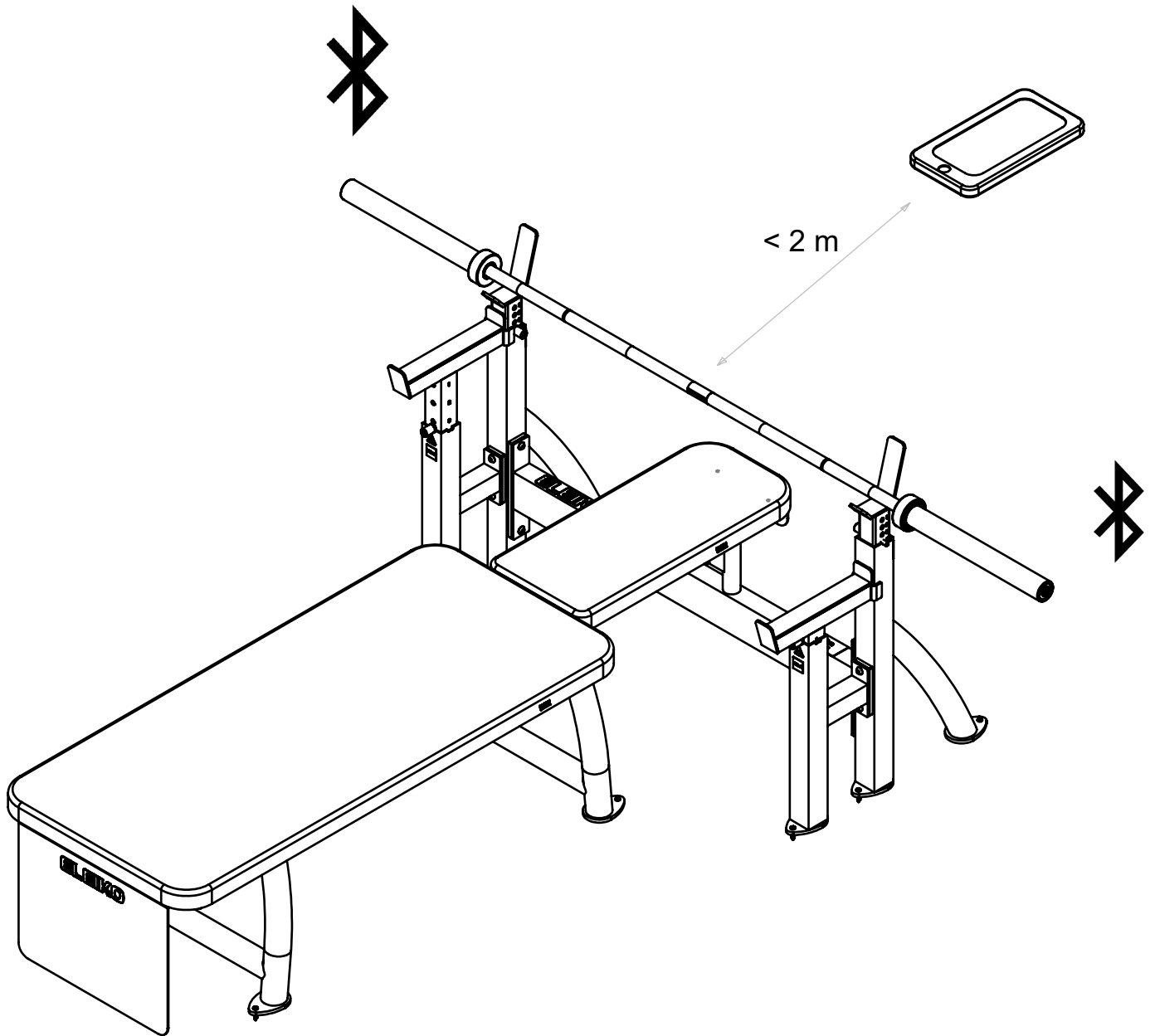
x2



2000969



6.

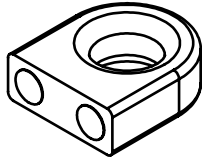


**ELEIKO**

7.

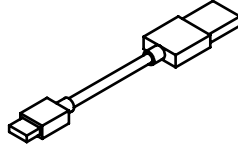


x1



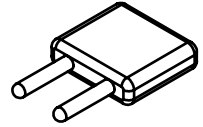
2001639

x2

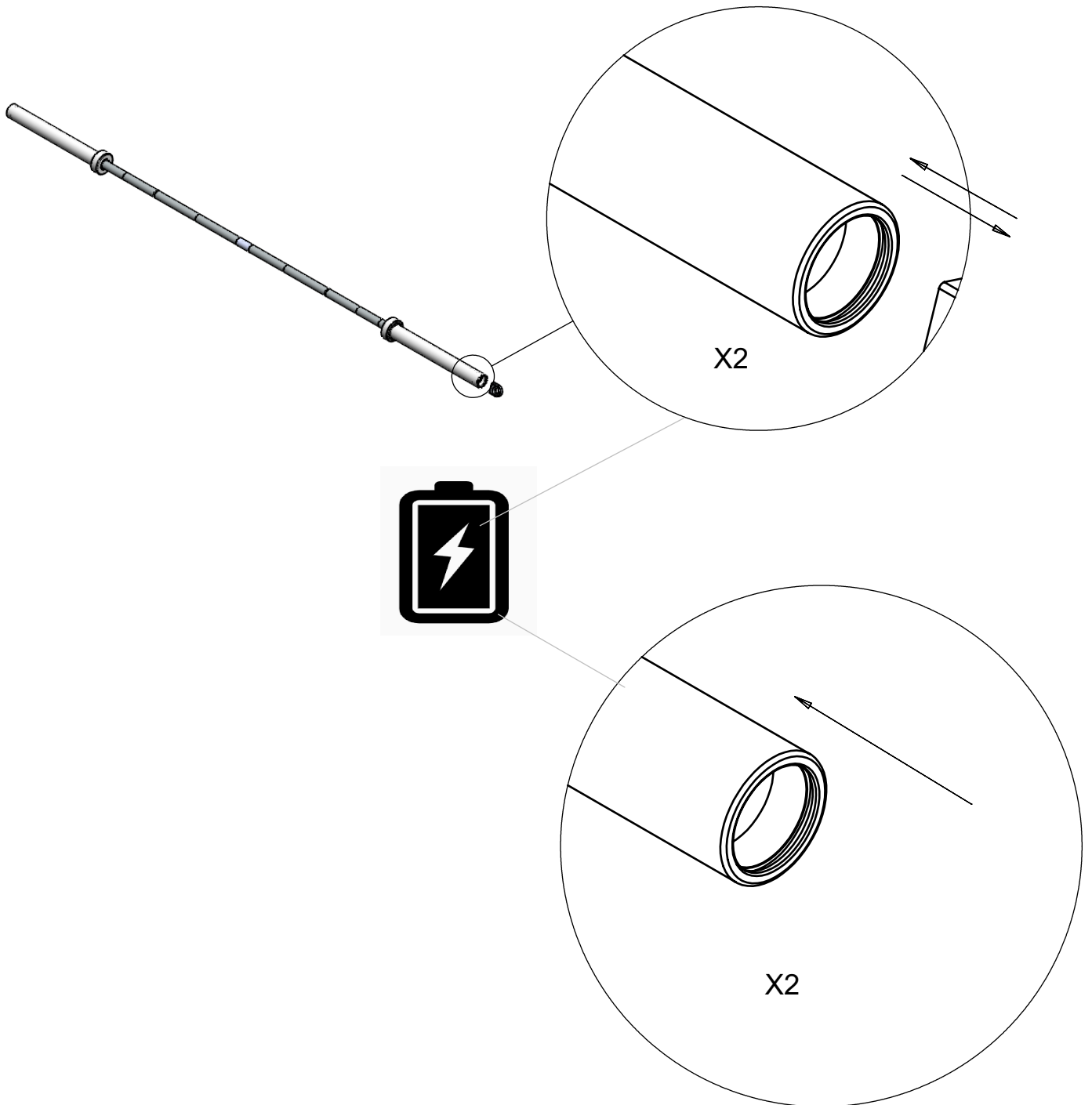


2001128

x2



USB charger



# ELEIKO

RAISE THE BAR

Eleiko Group AB | Klastorpsvägen 18 | SE-302 62 HALMSTAD | Sweden  
E-mail: [info@eleiko.com](mailto:info@eleiko.com) | Phone: +46 35 17 70 70

[www.eleiko.com](http://www.eleiko.com)