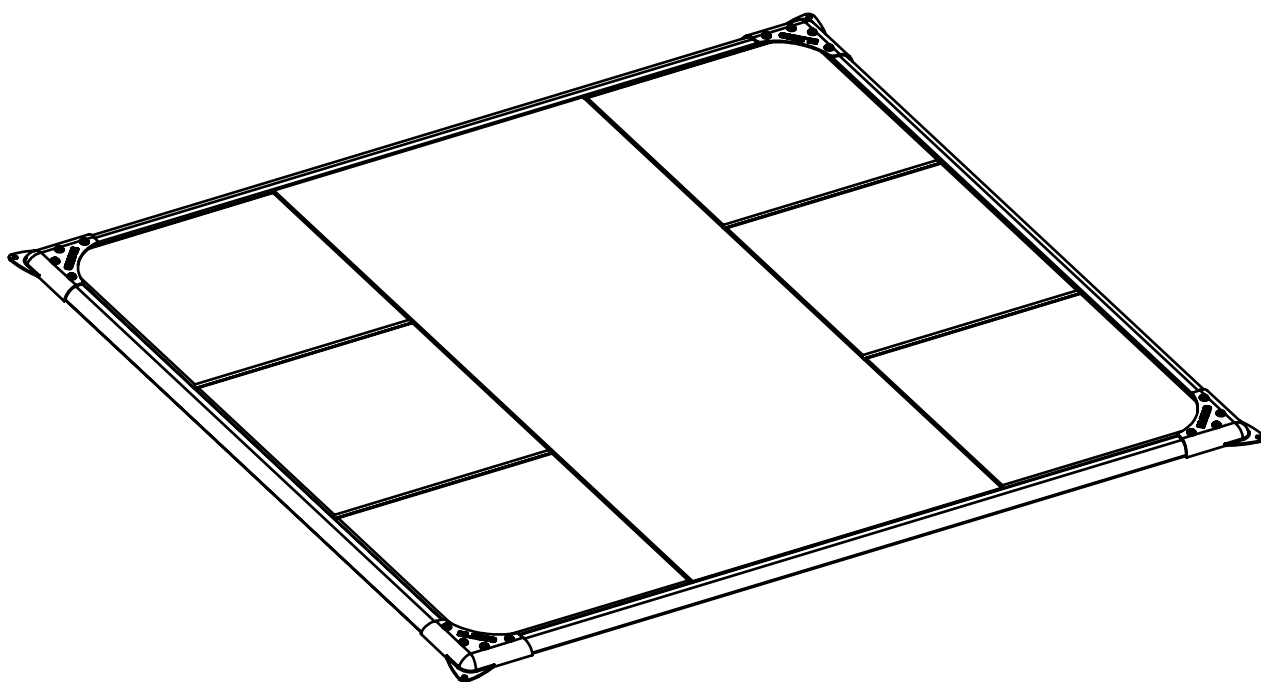


ELEIKO PERFORMANCE PLATFORM GRAY

Art.nr 3085276



ELEIKO

READ BEFORE INSTALLATION AND USE

CAUTION

The equipment must be installed and used in a place whose access and supervision are specifically controlled by the owner.

Be sure to install the equipment on a stable base and properly level the equipment. ELEIKO recommends that all equipment is secured to floor.

SAFETY INSTRUCTIONS

It is the responsibility of the purchaser of ELEIKO products to instruct all users and supervising personnel on proper usage of the equipment.

1. All included warnings (labels) and instructions **MUST** be read before the use of any ELEIKO-equipment. Use each equipment as it is intended for.
2. A user **MUST** get a medical examination and proper instructions before the use of any ELEIKO-equipment.
3. **DO NOT** let anyone, under any circumstances, use equipment that appears to be damaged. Do not try to repair any equipment before consulting an ELEIKO technician.
4. **DO NOT** replace the components of ELEIKO-equipment with other none ELEIKO-equipment (magnetic safety pin, frames, bars), do not improvise. If there are any doubts consult an ELEIKO representative prior to any intervention.
5. **DO NOT** overload the equipment and **DO NOT** try to exceed personal strength levels.
6. Children under the age of 14 must be supervised by an adult.
7. **DO NOT** remove any safety labels from the ELEIKO-equipment. ELEIKO is not responsible if a label is removed. Replace damaged labels immediately.
8. The surface under the platform **MUST** be strong enough for the load from weight training.
9. The surface under the platform **MUST** be flat and levelled.
10. The platform area **MUST** be clear from objects and people when you do your work out.

PREVENTITIVE MAINTENANCE & INSPECTIONS

Regularly:

Clean the surfaces on frames and tubes from dust and dirt. Vacuum clean rubber tiles. Check that all bolts between parts and platform and floor are properly tightened, according to recommendations.

WARRANTY

All products manufactured by ELEIKO are warranted to the original purchaser to be free from defects in workmanship and / or materials under normal use or service as follows:

Tubings and corners: 3 years

Wooden deck, rubber tiles: 1 year

Normal wear and tear does not fall under the warranty.

ADDITIONAL INFORMATION

This equipment is for indoor use only.

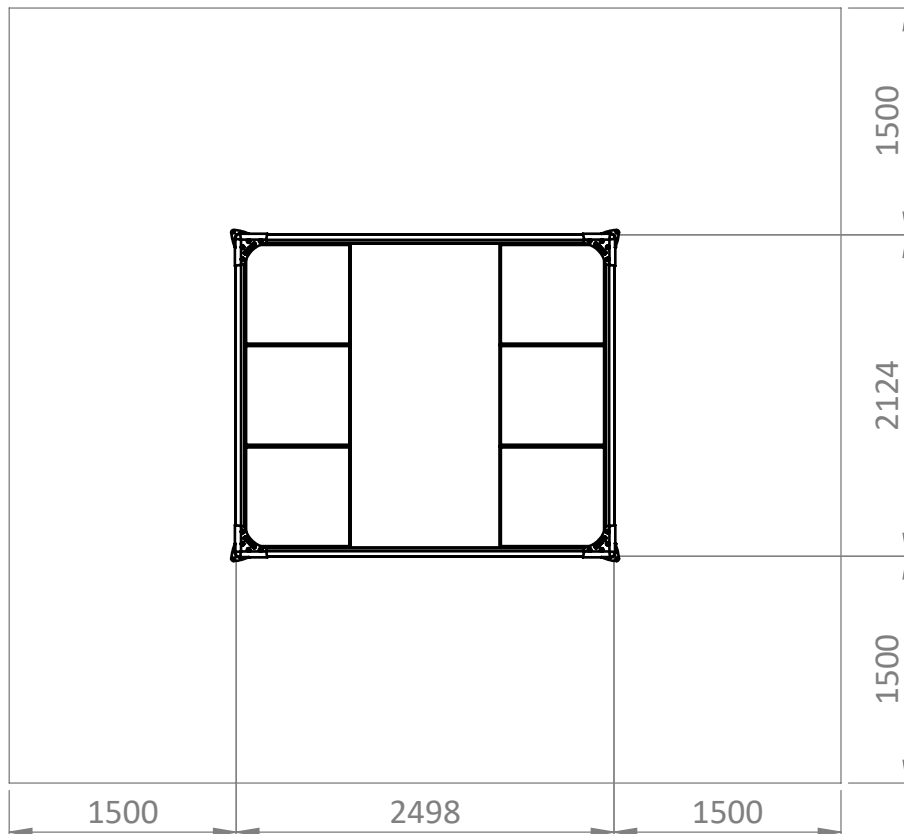
The logo for ELEIKO, consisting of the word "ELEIKO" in a bold, uppercase, sans-serif font.

PRODUCT SPECIFICATIONS

Platform for weightlifting training. For indoor use only.

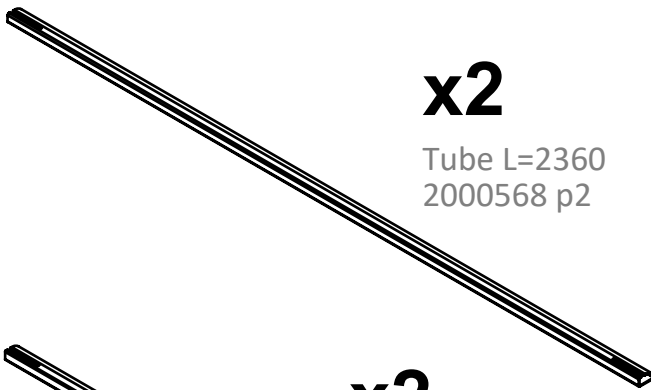
Product weight	150 kg / 331 lbs
Dimensions (L x W x H)	2124x2498x30 mm 83.6x98.3x1.2 in

FOOTPRINT AREA



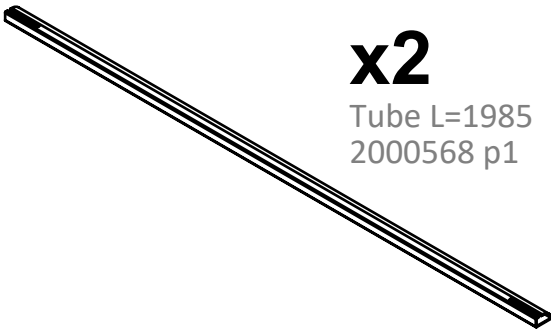
Add sufficient clearance, not less than 1.5 m, on all sides.

CONTENTS



x2

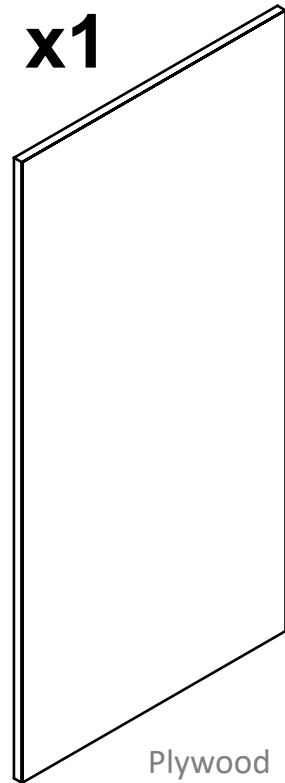
Tube L=2360
2000568 p2



x2

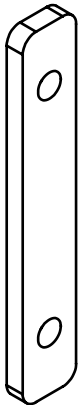
Tube L=1985
2000568 p1

x1



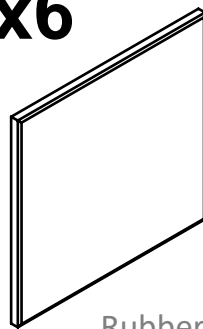
Plywood
2000569

x8



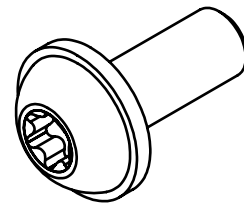
Flat iron
2000520 p5

x6



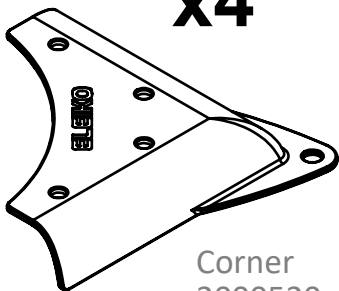
Rubber tile
2000489

x16



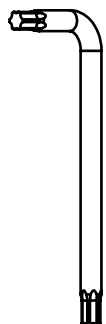
Screw M10x25
2001124-L25

x4



Corner
2000520 p2

REQUIRED TOOLS



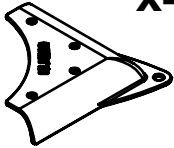

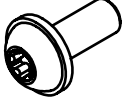
Torx T50

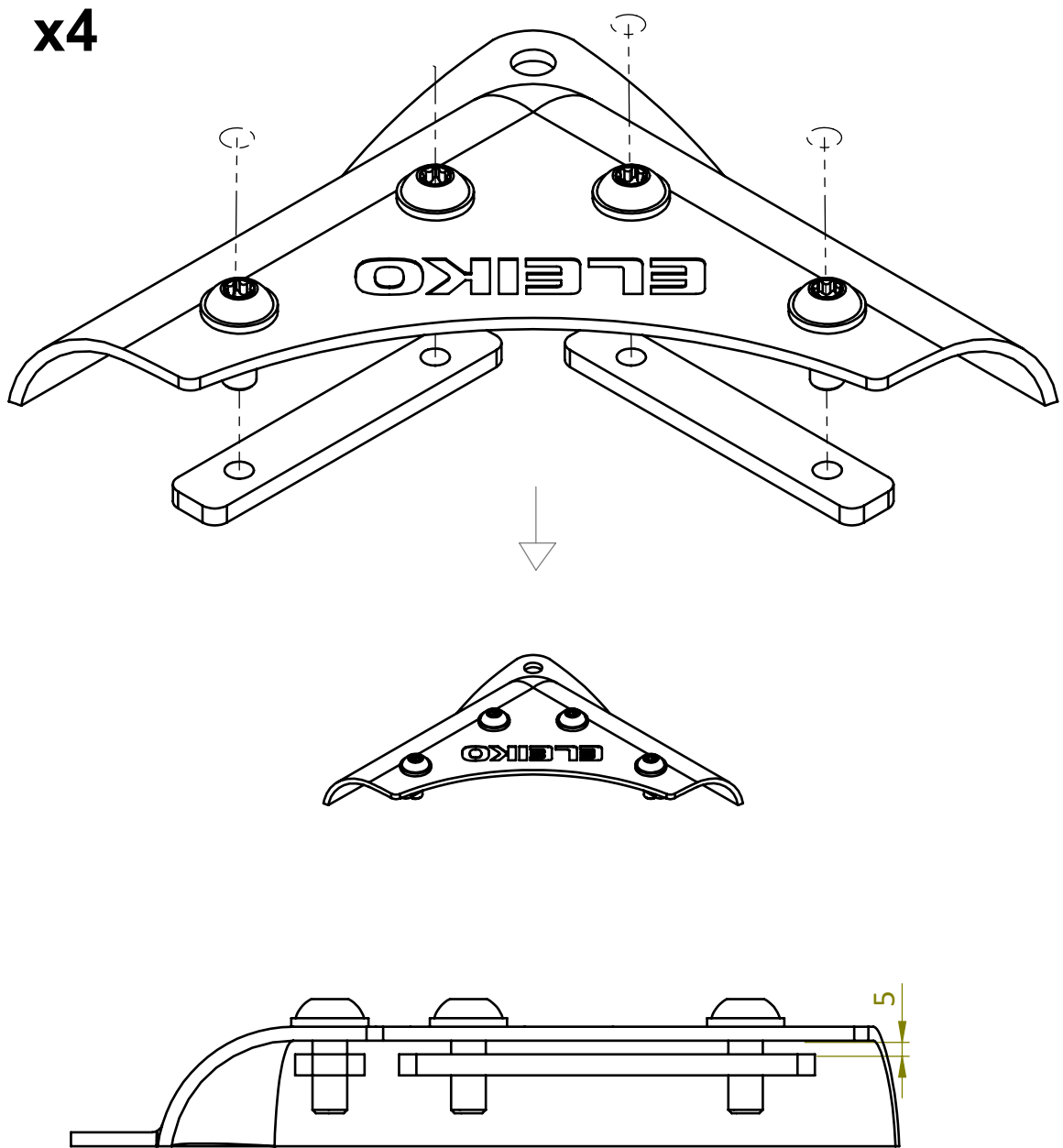
GENERAL

The table below is general torque to use for different threads. Use these torques, if nothing else is set. Below numbers are for screw/nut of quality 8.8.

THREAD	TORQUE (Nm / ftlb) Quality 8.8
M10	47 / 34,7

ASSEMBLY INSTRUCTIONS

1.  **x4**  **x8**  **x16**
- Corner Flat iron Screw M10x25
-



ELEIKO

2.

x6

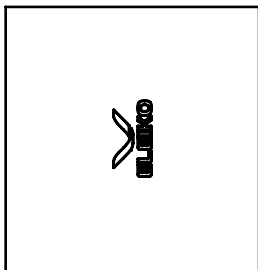
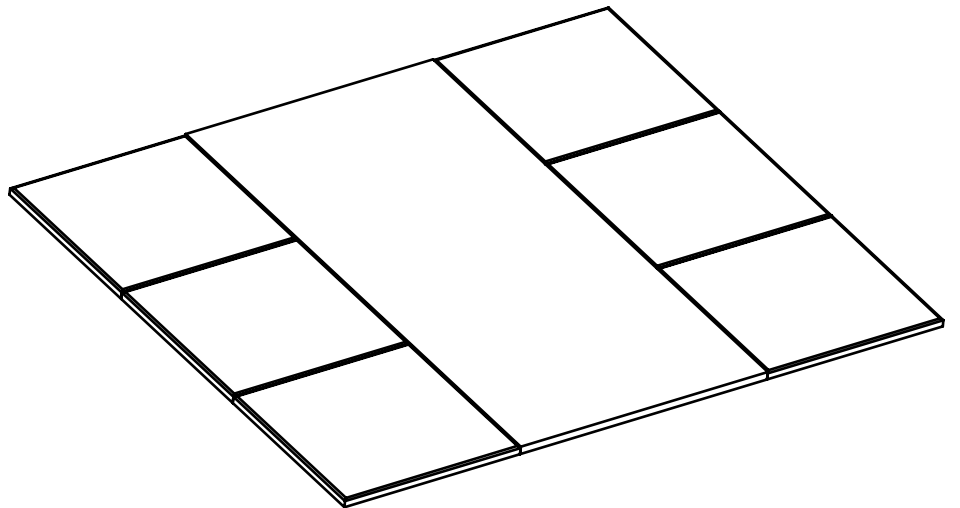
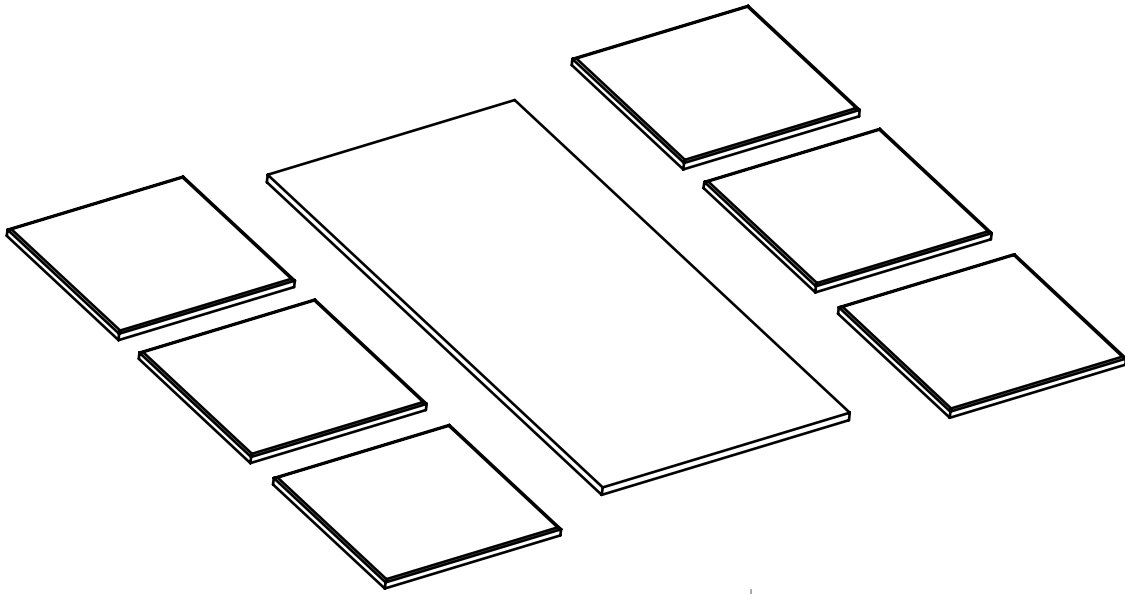


Rubber tile

x1



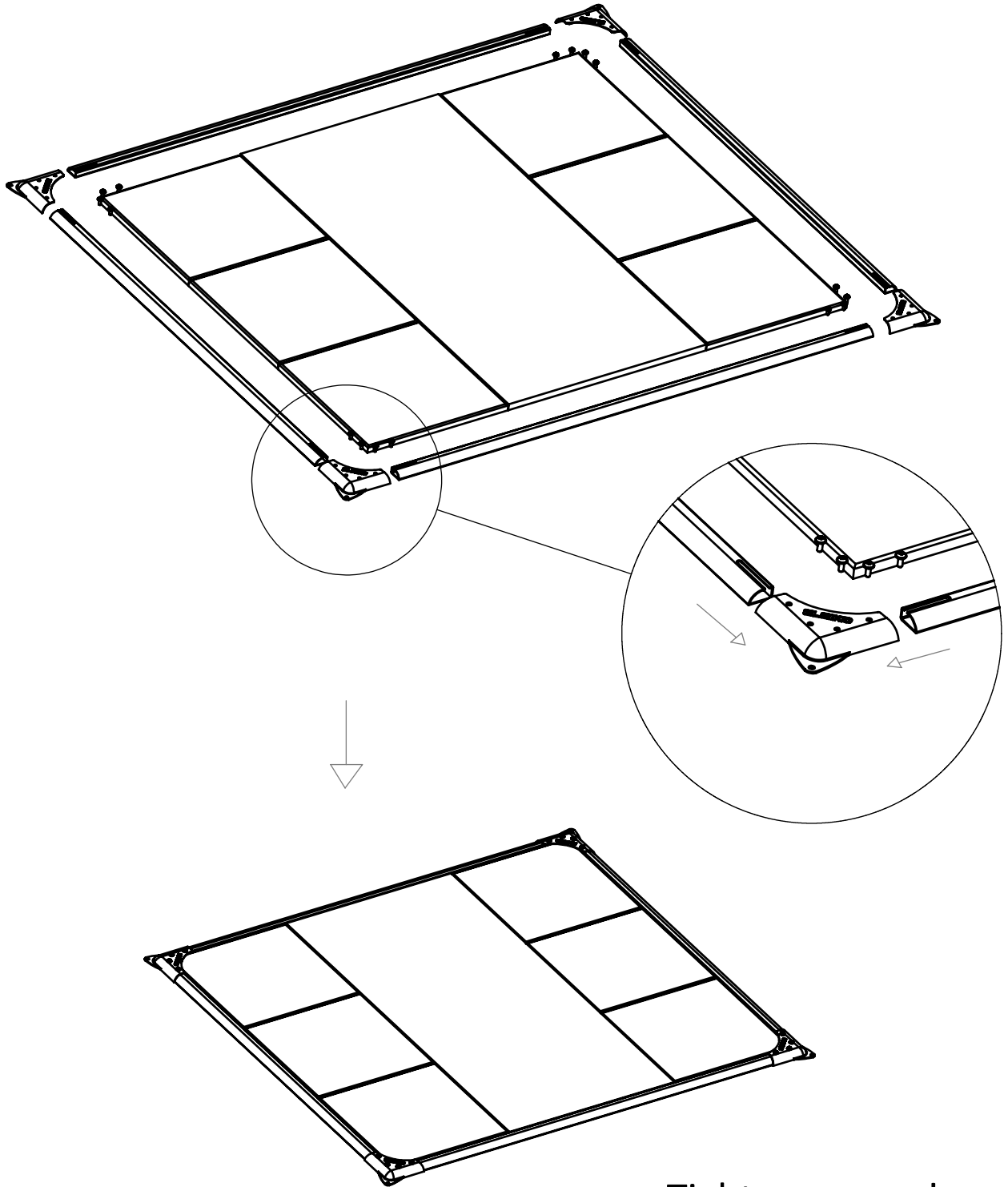
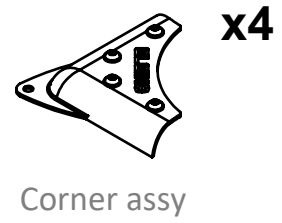
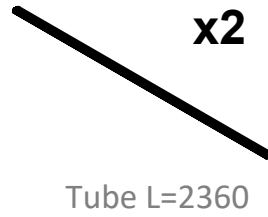
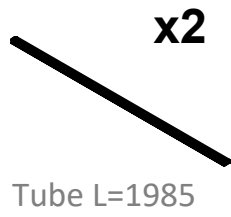
Plywood



Locate rubber tiles with logo faced down and towards wooden deck.

ELEIKO

3.



Tighten screws!



Eleiko Group AB | Klastorpsvägen 18 | SE-302 62 HALMSTAD | Sweden
E-mail: info@eleiko.com | Phone: +46 35 17 70 70

www.eleiko.com